



**Technical Specification**

Insulator Material:	P.B.T UL94V-0
Contact Resistance:	30m Ohm max.
Insulator Resistance:	5000 M Ohm max.
Temperature Rating:	.-25°C ~ 85°C
Contact Material:	Phosphor Bronze
Contact:	Nickel Plated
Durability:	50 Cycles min.
Application for:	Coin Type
Battery Dimension:	2450

**Ordering Information**

Serie	Contact Material	Contact Plating	ROHS	Packing		
-------	------------------	-----------------	------	---------	--	--

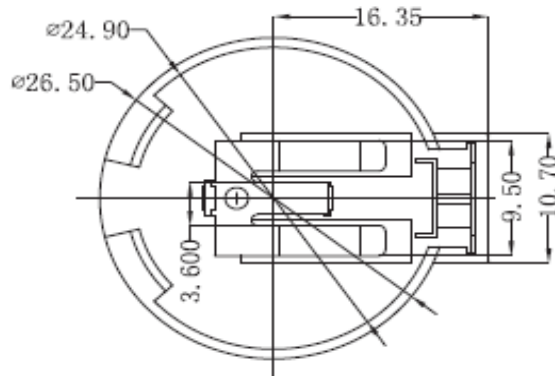
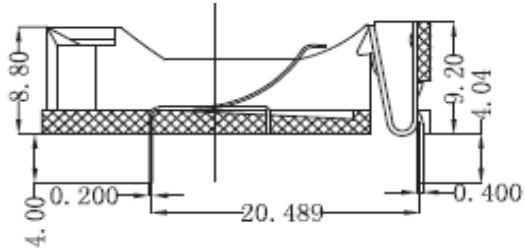
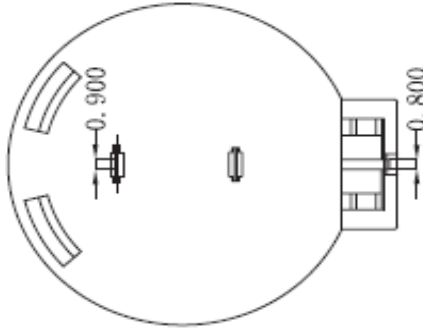
<b>B23014</b>	<b>PB</b>	<b>NI</b>	<b>R</b>	<b>TY</b>		
---------------	-----------	-----------	----------	-----------	--	--

<b>PB=</b> Phosphor Bronze		<b>N=</b> Non ROHS	<b>TY=</b> Tray
		<b>R=</b> ROHS Conform	
	<b>NI=</b> Nickel plated		

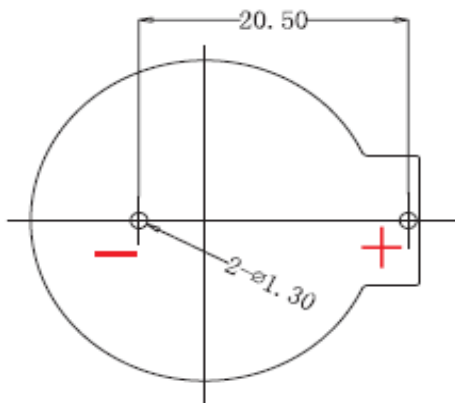
<b>Battery Coin Cell Holder</b>							
Part No.:	<b>B23014</b>						
Customer:							
DRW:	Jason	CHKD	Jules	MATL:	Wu	DATE	01.11.2018
APPD:	Join			FINISH	Shieh	Sheet	1 from 3



**Technical Dimensions**



**PCB Layout (mm)**



**Battery Coin Cell Holder**

Part No.: **B23014**

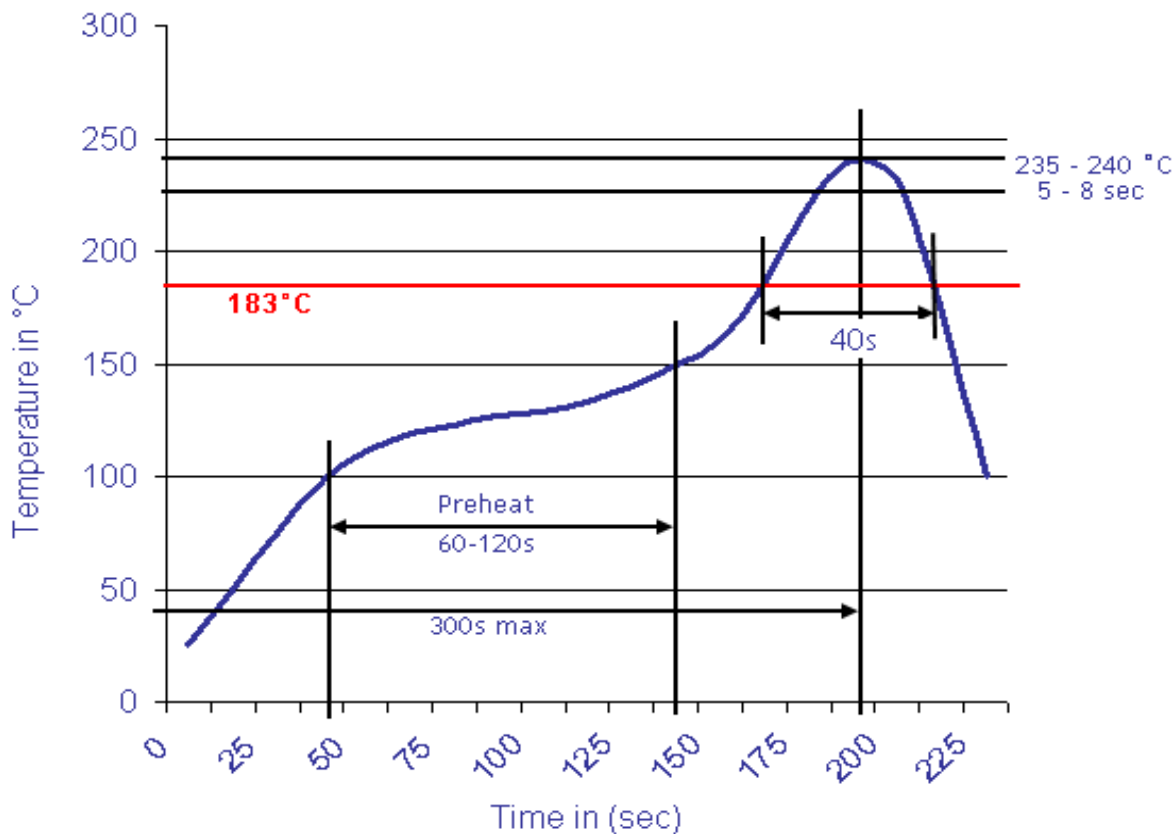
Customer:

DRW:	Jason	CHKD	Jules	MATL:	Wu	DATE	01.11.2018
APPD:	Join			FINISH	Shieh	Sheet	2 from 3



**Soldering Profile Curve**

**Classification Reflow Profile (JEDEC J-STD-020C)**



**Battery Coin Cell Holder**

Part No.: **B23014**

Customer:

DRW:	Jason	CHKD	Jules	MATL:	Wu	DATE	01.11.2018
APPD:	Join			FINISH	Shieh	Sheet	3 from 3