



**Technical Specification**

Insulator Material: Nylon 46 + 30% GF UL94V-0  
 Contact Resistance: 30m Ohm max.  
 Insulator Resistance: 5000 M Ohm max.  
 Temperature Rating: -55°C ~ 105°C  
 Contact Material: Phosphor Bronze  
 Contact: Tin Plated  
 Durability: 50 Cycles min.  
 Application for: Lithium Coin Type  
 Battery Dimension: D= 19,80mm / T=3,2mm

**Ordering Information**

Serie	Contact Material	Contact Plating	ROHS	Packing		
-------	------------------	-----------------	------	---------	--	--

<b>B23002</b>	<b>PB</b>	<b>TN</b>	<b>R</b>	<b>TY</b>		
---------------	-----------	-----------	----------	-----------	--	--

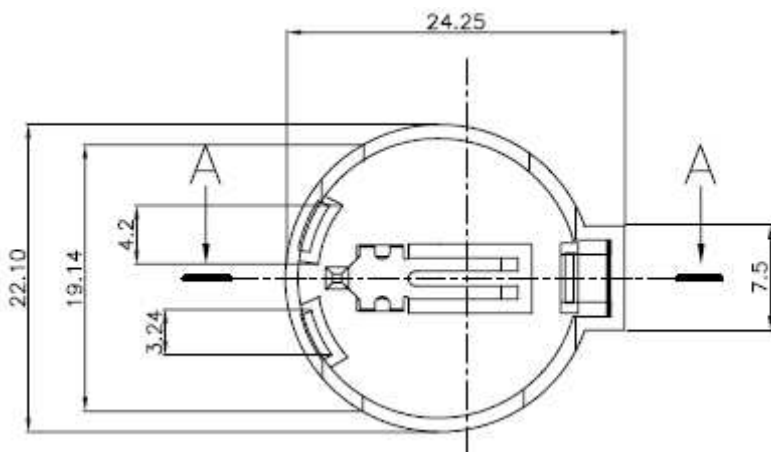
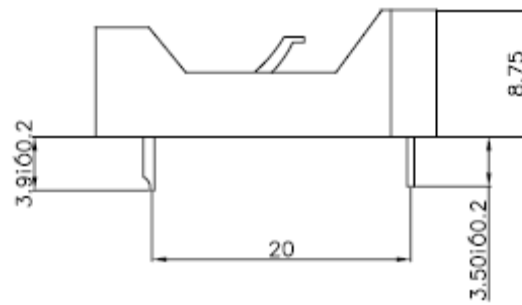
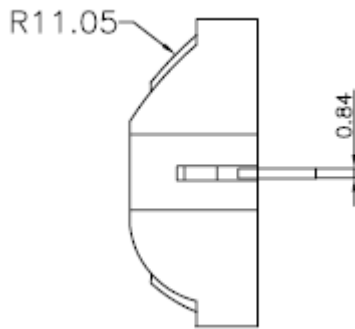
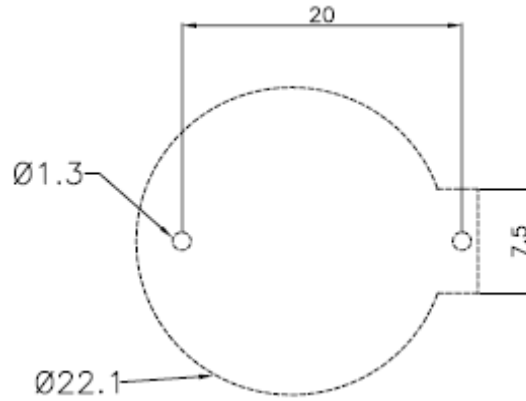
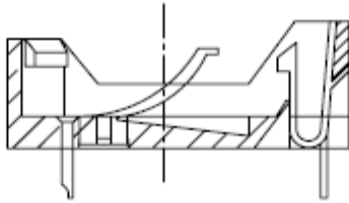
<b>PB=</b> Phosphor Bronze	<b>TN=</b> Tin plated	<b>N=</b> Non ROHS	<b>TY=</b> Tray
		<b>R=</b> ROHS Conform	

<b>Battery Coin Cell Holder</b>	
Part No.:	<b>B23002</b>
Customer:	
DRW:	Jason
APPD:	Join
CHKD:	CHKD
Jules	
MATL:	Wu
FINISH:	Shieh
DATE:	03.04.2009
Sheet:	1 from 3



**Technical Dimensions**

**PCB Layout**



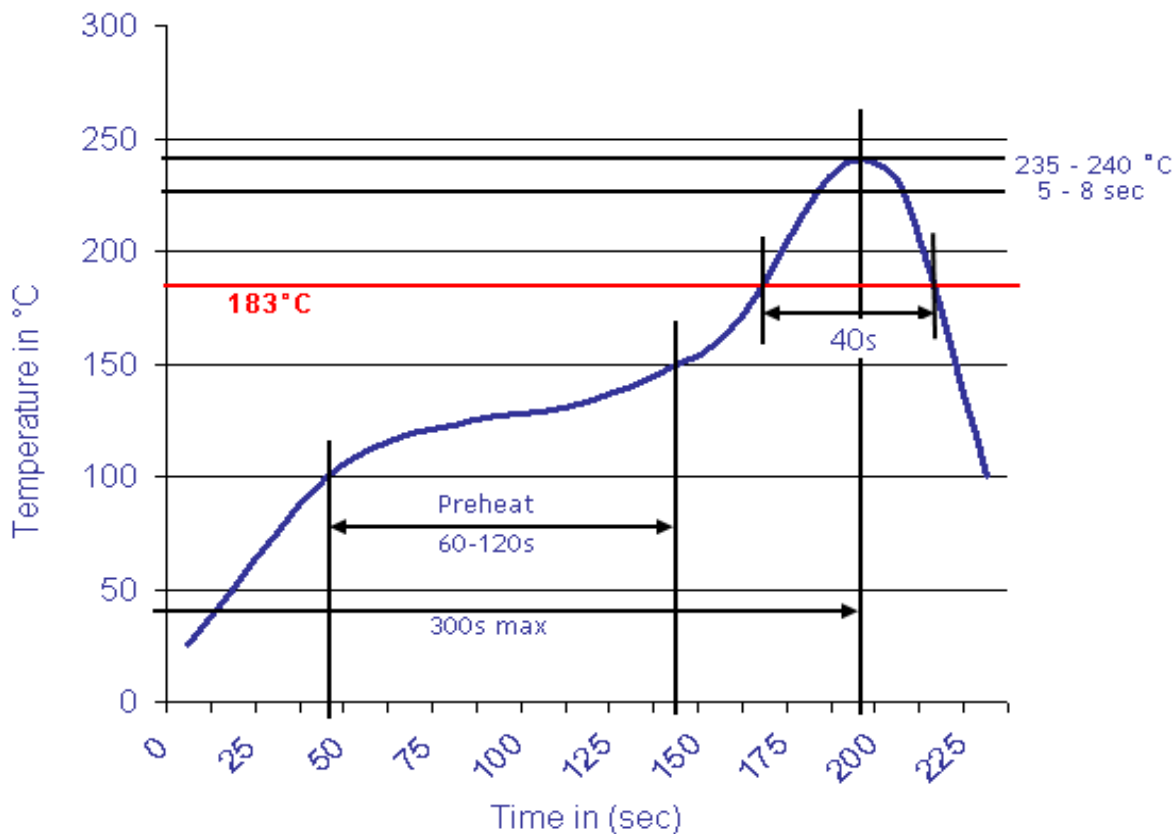
<b>Battery Coin Cell Holder</b>	
Part No.:	<b>B23002</b>
Customer:	

DRW:	Jason	CHKD	Jules	MATL:	Wu	DATE	03.04.2009
APPD:	Join			FINISH	Shieh	Sheet	2 from 3



**Soldering Profile Curve**

**Classification Reflow Profile (JEDEC J-STD-020C)**



<b>Battery Coin Cell Holder</b>	
Part No.:	<b>B23002</b>
Customer:	

DRW:	Jason	CHKD	Jules	MATL:	Wu	DATE	03.04.2009
APPD:	Join			FINISH	Shieh	Sheet	3 from 3