

Technical Specification

Electrical Characteristics

Standard Resistance Range: 100Ω - 1,0MΩ
 Resistance Tolerance: +/-30% Standard
 Adjustment Angle: 270° +/-20°
 Residual Resistance: 5%

Environmental Characteristics

Power Rating: (100V max) 0,1W@50°C
 Temperature Range: -10°C ~ +70°C
 Temperature Coefficient: +/-1000ppm/°C
 Rotational Life: 200cycles, ΔR ≤ +/-20%
 Endurance: 0,1W@50°C, 250H, ΔR ≤ 20%

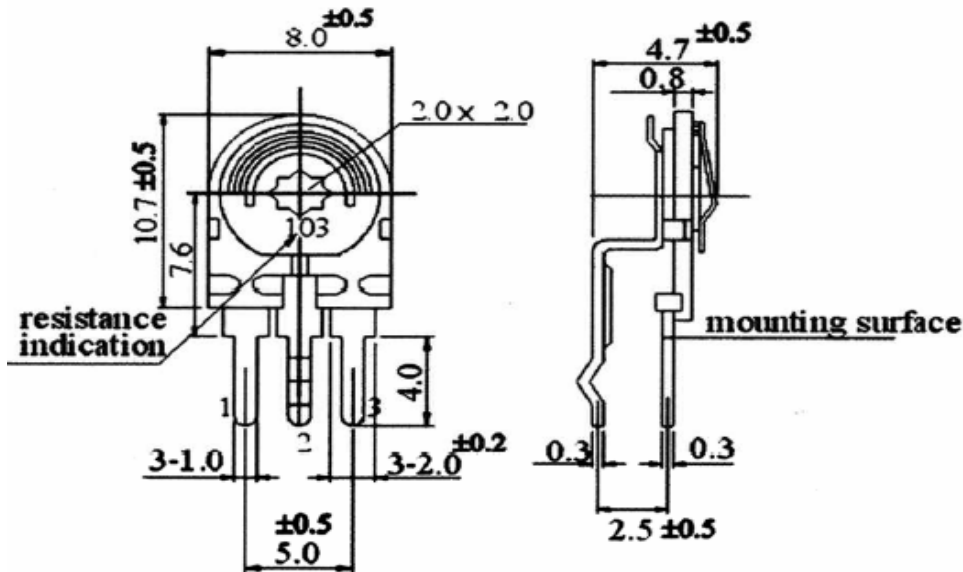
Features

Round / Single Turn / Carbon / Open Frame
 Recommended for Reflow Processing
 Vertical or Horizontal
 Supplied in 8mm embossed tape

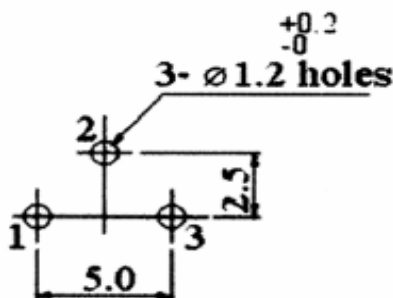
Physical Characteristics

Operating Torque: ≤35mN-m
 Stop Torque: ≥50mN-m
 Soldering Conditions: 240~260°C, 3 seconds
 Marking: Resistance Code
 Standard Packing: 500PCS per Bag

Technical Dimensions / Terminal Style F



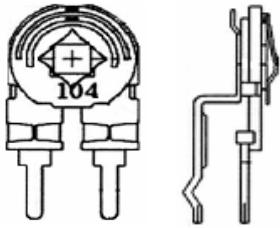
PCB Layout



8,2mm THT Single-Turn Low Cost Trimmer	
Serie No.:	X58014
Customer:	

DRW:	Jason	CHKD	Jules	MATL:	Wu	DATE	06.09.2009
APPD:	Join			FINISH	Shieh	Sheet	1 from 3

Copyright by EDCON-COMPONENTS H.Schmitt



Range Code Table

Ordering Code	Range
101	100Ω
201	200Ω
501	500Ω
102	1,0KΩ
202	2,0KΩ
502	5,0KΩ
103	10KΩ
203	20KΩ
253	25KΩ
503	50KΩ
104	100KΩ
204	200KΩ
254	250KΩ
504	500KΩ
105	1,0MΩ

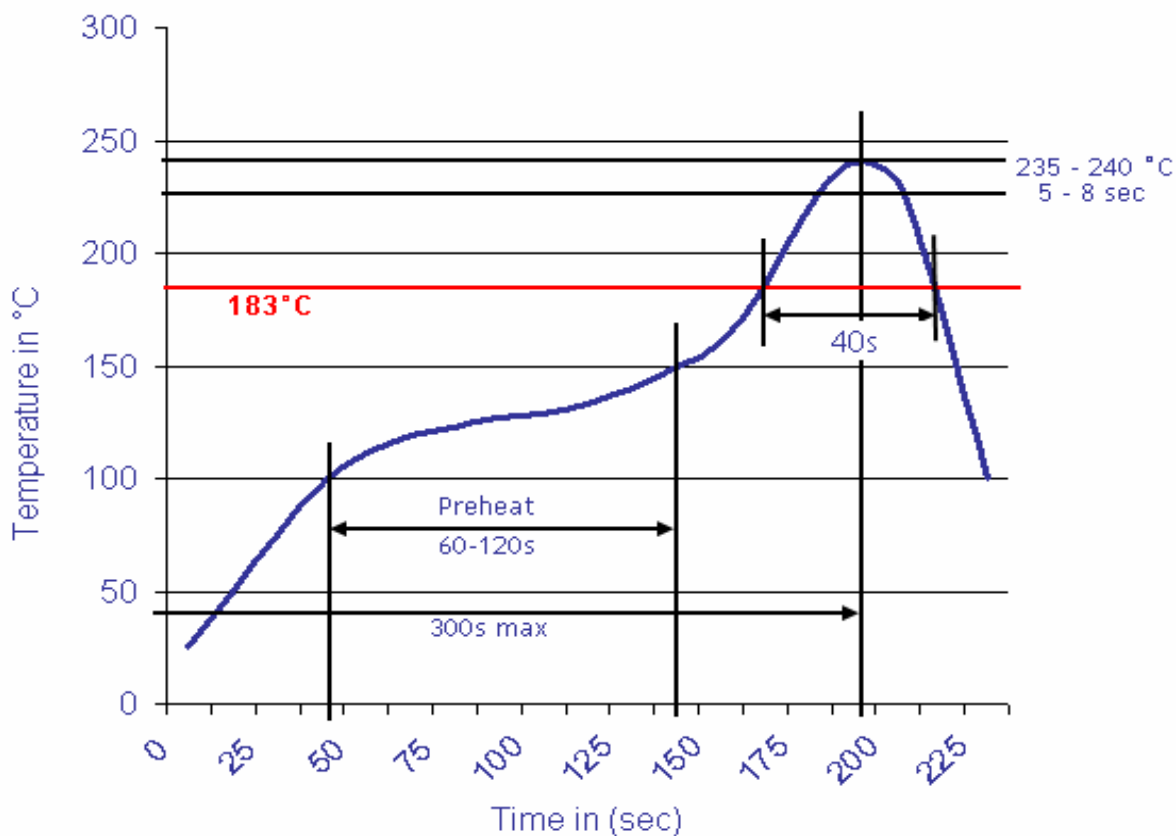
8,2mm THT Single-Turn Low Cost Trimmer	
Serie No.:	X58014
Customer:	

DRW:	Jason	CHKD	Jules	MATL:	Wu	DATE	06.09.2009
APPD:	Join			FINISH	Shieh	Sheet	2 from 3



Soldering Profile

Classification Reflow Profile (JEDEC J-STD-020C)



Ordering Information

Serie	Ordering Code	Tolerance	ROHS	Packing		
X58014	101	N	R	BU501		

101 = 100Ω	N = Tol. 30%	R = ROHS conform	BU501 = Bulk-Ware 500PCS
		N =NON ROHS conform	

8,2mm THT Single-Turn Low Cost Trimmer	
Serie No.:	X58014
Customer:	

DRW:	Jason	CHKD	Jules	MATL:	Wu	DATE	06.09.2009
APPD:	Join			FINISH	Shieh	Sheet	3 from 3