

### Technical Specification

#### Electrical Characteristics

Standard Resistance Range: 100Ω - 1,0MΩ  
 Resistance Tolerance: +/-30% Standard  
 Adjustment Angle: 270° +/-20°  
 Residual Resistance: 5%

#### Environmental Characteristics

Power Rating: (100V max) 0,1W@50°C  
 Temperature Range: -10°C ~ +70°C  
 Temperature Coefficient: +/-1000ppm/°C  
 Rotational Life: 200cycles, ΔR ≤ +/-20%  
 Endurance: 0,1W@50°C, 250H, ΔR ≤ 20%

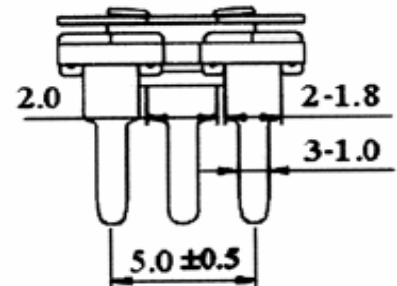
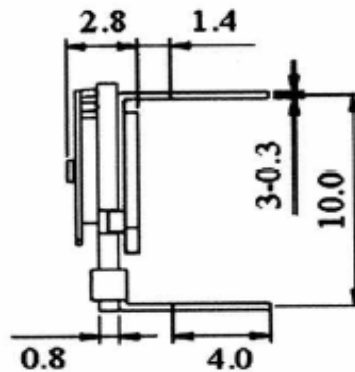
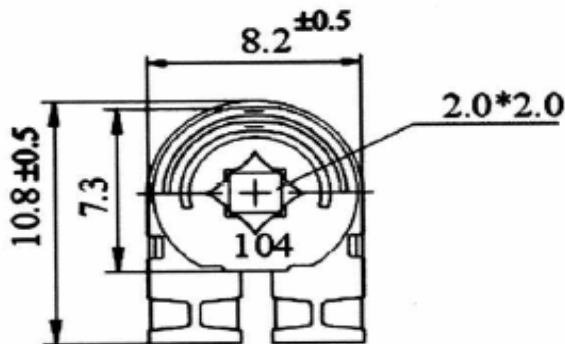
#### Features

Round / Single Turn / Carbon / Open Frame  
 Recommended for Reflow Processing  
 Vertical or Horizontal  
 Supplied in 8mm embossed tape

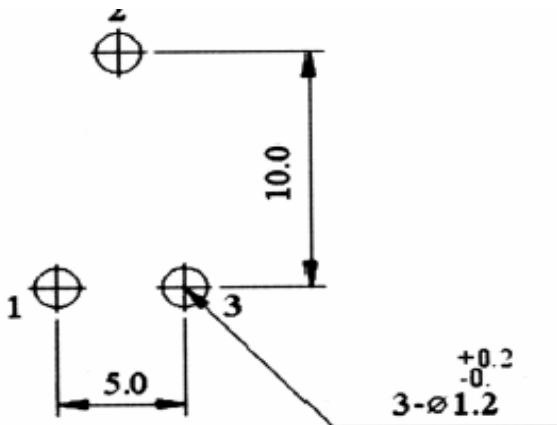
#### Physical Characteristics

Operating Torque: ≤35mN-m  
 Stop Torque: ≥50mN-m  
 Soldering Conditions: 240~260°C, 3 seconds  
 Marking: Resistance Code  
 Standard Packing: 500PCS per Bag

### Technical Dimensions / Terminal Style B



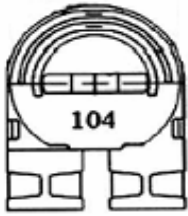
#### PCB Layout



<b>8,2mm THT Single-Turn Low Cost Trimmer</b>	
Serie No.:	<b>X58010</b>
Customer:	

DRW:	Jason	CHKD	Jules	MATL:	Wu	DATE	06.09.2009
APPD:	Join			FINISH	Shieh	Sheet	1 from 3

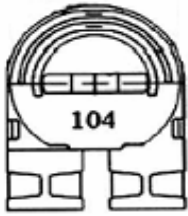
Copyright by EDCON-COMPONENTS H.Schmitt



**Range Code Table**

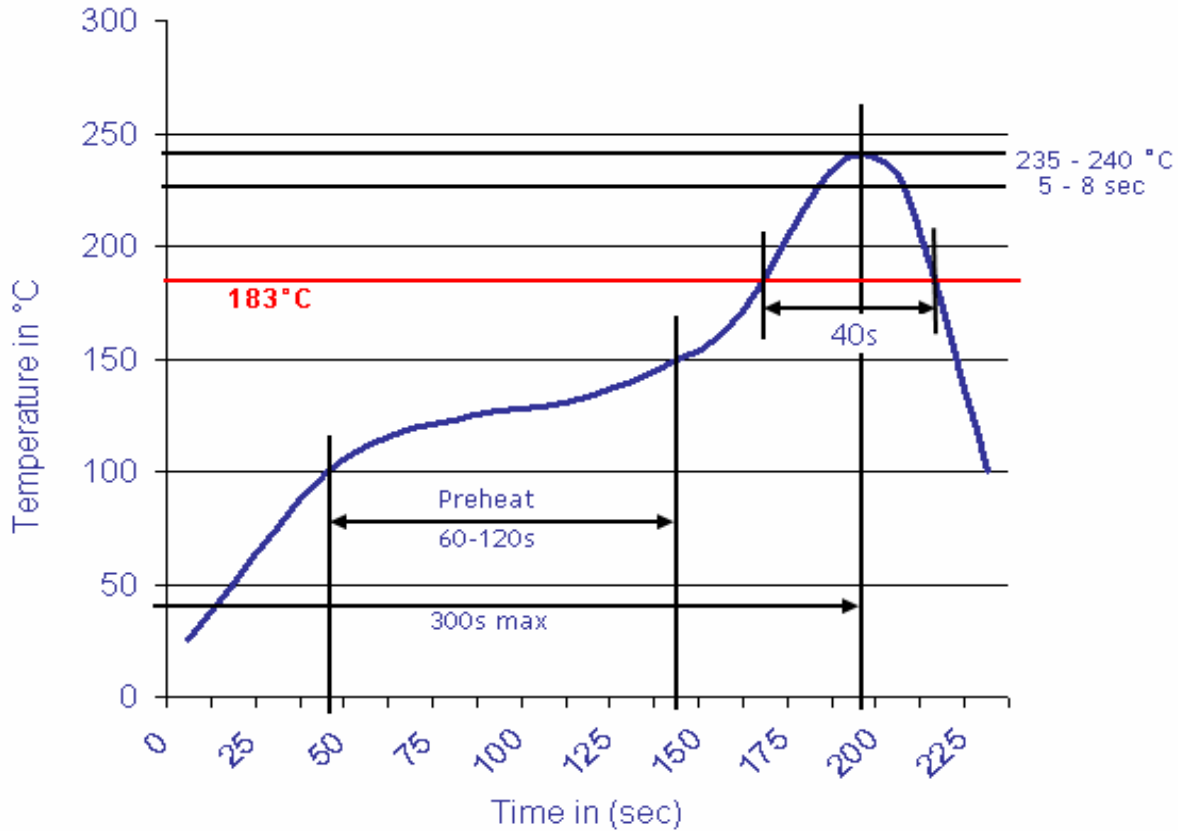
Ordering Code	Range
101	100Ω
201	200Ω
501	500Ω
102	1,0KΩ
202	2,0KΩ
502	5,0KΩ
103	10KΩ
203	20KΩ
253	25KΩ
503	50KΩ
104	100KΩ
204	200KΩ
254	250KΩ
504	500KΩ
105	1,0MΩ

<b>8,2mm THT Single-Turn Low Cost Trimmer</b>							
Serie No.:	<b>X58010</b>						
Customer:							
DRW:	Jason	CHKD	Jules	MATL:	Wu	DATE	06.09.2009
APPD:	Join			FINISH	Shieh	Sheet	2 from 3



**Soldering Profile**

**Classification Reflow Profile (JEDEC J-STD-020C)**



**Ordering Information**

Serie	Ordering Code	Tolerance	ROHS	Packing		
<b>X58010</b>	<b>101</b>	<b>N</b>	<b>R</b>	<b>BU501</b>		

<b>101=</b> 100Ω	<b>N=</b> Tol. 30%	<b>R=</b> ROHS conform	<b>BU501=</b> Bulk-Ware 500PCS
		<b>N=</b> NON ROHS conform	

<b>8,2mm THT Single-Turn Low Cost Trimmer</b>	
Serie No.:	<b>X58010</b>
Customer:	

DRW:	Jason	CHKD	Jules	MATL:	Wu	DATE	06.09.2009
APPD:	Join			FINISH	Shieh	Sheet	3 from 3