



Technical Specification

Electrical Characteristics

Standard Resistance Range: 100Ω ~ 1,0MΩ
 Resistance Tolerance: +/-30% Standard
 Contact Resistance Variation : ≤10%
 Effective Travel: 210° normal

Environmental Characteristics

Power Rating: (50VDC max.) 100-500K
 Temperature Range: -25°C to +105°C
 Temperature Coefficient: +/-1000ppm/°C
 Power Rating: 50°C - 0,1W
 Load Life: 1000hours, 0,1W @70°C
 Power Rating: ≥500K ohm, 25V

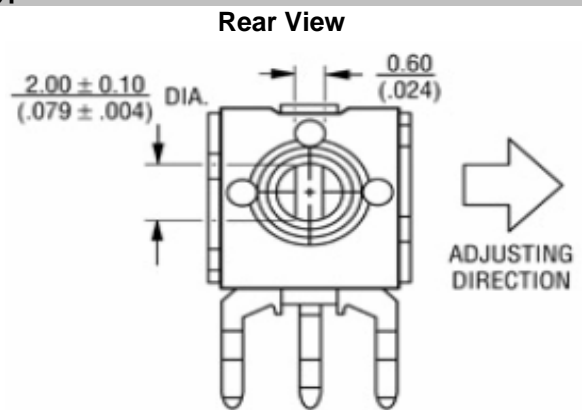
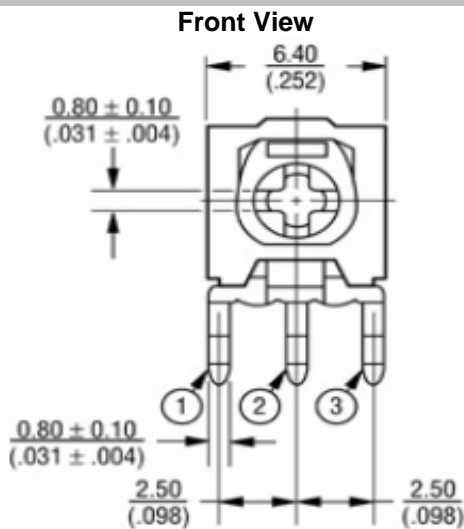
Features

THT/ Single-Turn/ Phenolic / Industrial Sealed
 2 Terminals Styles

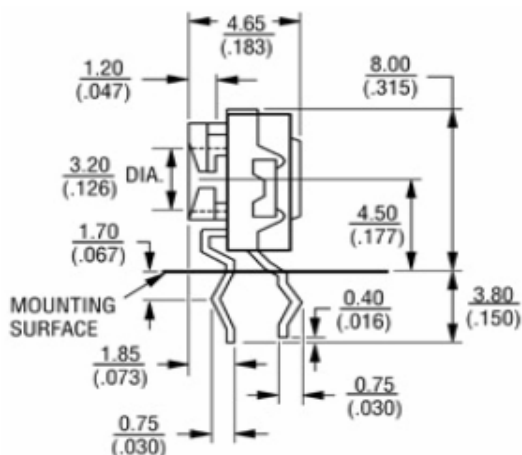
Physical Characteristics

Strating Torque: 20-260g-cm
 Knob-Size 750g-cm
 Reverse Side: 350g-cm
 Marking: Resistance Code, Model
 Standard Packing: 200PCS per Bag

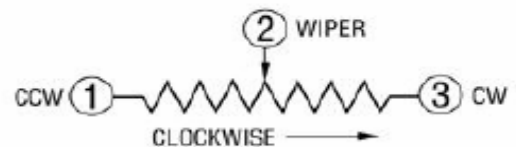
Technical Dimensions Type 3318K



Side View



Physical Structure



**6,4mm THT Single-Turn
 Trimmer Type 3318K**

X58001

Customer:

DRW:	Jason	CHKD	Jules	MATL:	Wu	DATE	06.09.2009
APPD:	Join			FINISH	Shieh	Sheet	1 from 3

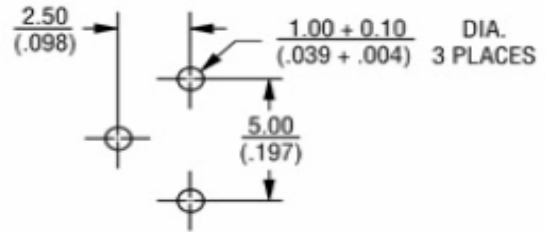
Copyright by EDCON-COMPONENTS H.Schmitt



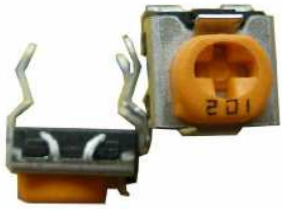
Range Code Table

PCB Layout

Ordering Code	Range
101	100Ω
201	200Ω
501	500Ω
102	1,0KΩ
202	2,0KΩ
502	5,0KΩ
103	10KΩ
203	20KΩ
503	50KΩ
104	100KΩ
204	200KΩ
504	500KΩ
105	1,0MΩ

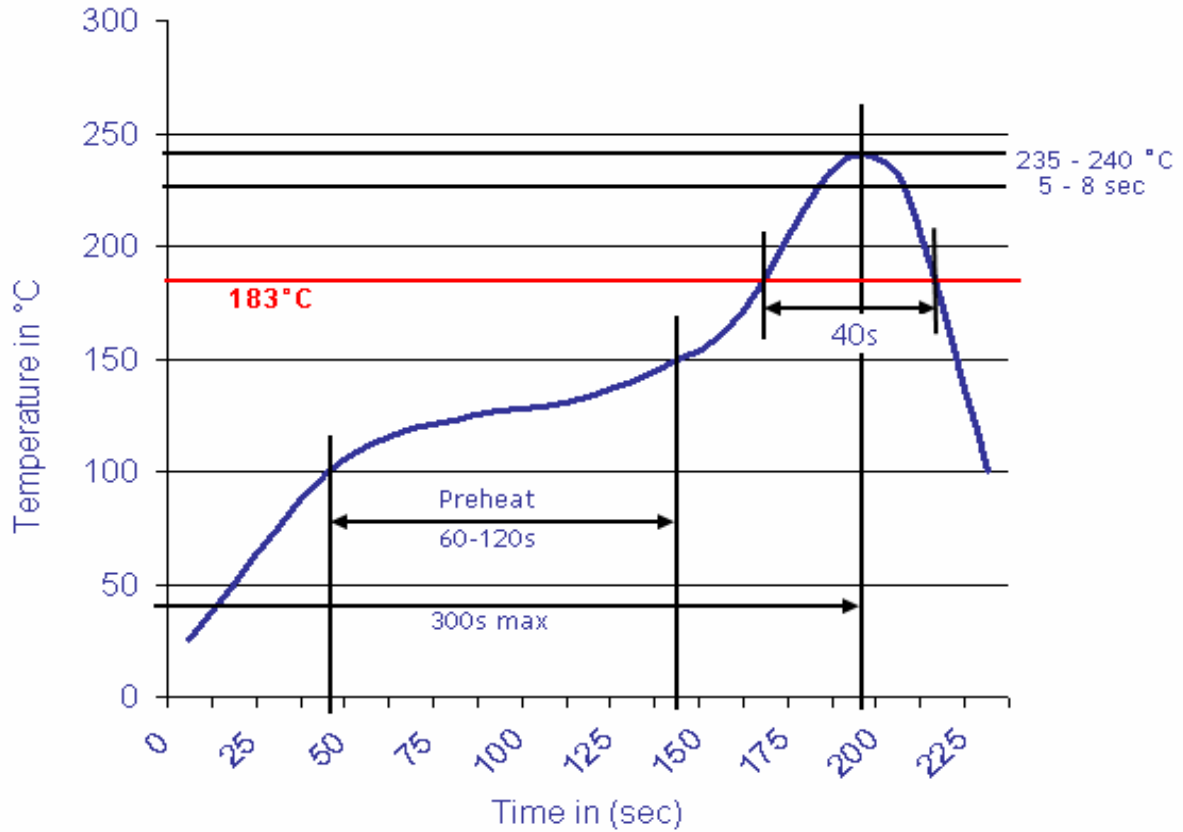


6,4mm THT Single-Turn Trimmer Type 3318K	
0	X58001
Customer:	
DRW:	Jason
APPD:	Join
CHKD:	Jules
MATL:	Wu
FINISH:	Shieh
DATE:	06.09.2009
Sheet:	2 from 3



Soldering Profile

Classification Reflow Profile (JEDEC J-STD-020C)



Ordering Information

Serie	Ordering Code	Tolerance	ROHS	Packing		
X58001	101	M	R	BU201		

101= 100Ω	M= Tol. 20%	R= ROHS conform	BU201= Bulk-Ware 200PCS
	K= Tol. 10%	N=NON ROHS conform	

6,4mm THT Single-Turn Trimmer Type 3318K	
0	X58001
Customer:	

DRW:	Jason	CHKD	Jules	MATL:	Wu	DATE	06.09.2009
APPD:	Join			FINISH	Shieh	Sheet	3 from 3