



Technical Specification

Electrical Characteristics

Standard Resistance Range: 10Ω to 2,0MΩ
 Look Standard resistance table
 Standard Resistance Tolerance: 10%
 Singleturn Cermet Industrial Style
 Absolute Minimum Resistance: 1% or 2 Ohms max.
 whichever is greater
 Contact Resistance Variation: 3% or 30hms max.
 whichever is greater
 Withstanding Voltage 700VAC
 Insulation Resistance: > 1000MΩ min.

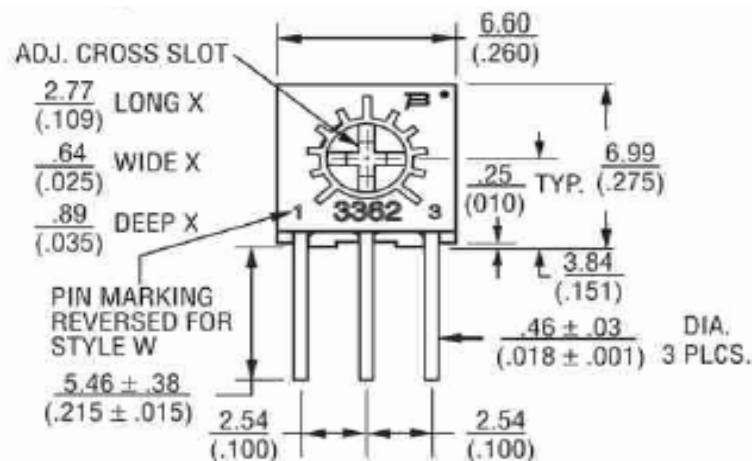
Environmental Characteristics

Power Rating: (315Volts max.)
 0,5Watt/ 70°C / 0Watt / 125°C
 Temperature Range: -55°C ~ +125°C
 Temperature Coefficient: +/-100ppm/°C
 Vibration: 10-500Hz 0,75mm 6Hours
 Shock 390m/s 4000cycles
 Load Life: 1000hrs 0,5W @ 70°C
 (3% Δ TR; 3% or 3 Ohms).
 Rotational Life: 200cycles (3% Δ TR; 3% or 3 Ohms).
 whichever is greater, CRV
 Thermal Shock: 5cycles (2% Δ TR; 1% Δ VR).

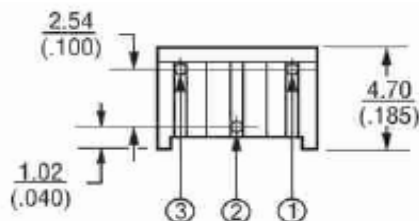
Physical Characteristics

Torque: 30nM * m. max.
 Flammability: UL94V-0

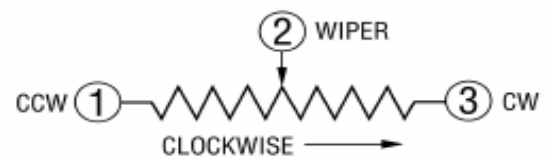
Technical Dimensions Type Z



PCB Layout



Physical Structure



THT Single-Turn Cermet Trimmer 3362 Type Z

Serie No.: X28010

Customer:

DRW:	Jason	CHKD	Jules	MATL:	Wu	DATE	09.09.2009
APPD:	Join			FINISH	Shieh	Sheet	1 from 3

Copyright by EDCON-COMPONENTS H.Schmitt



Range Code Table

Ordering Code	Range
100	10Ω
200	20Ω
500	50Ω
101	100Ω
201	200Ω
501	500Ω
102	1,0KΩ
202	2,0KΩ
502	5,0KΩ
103	10KΩ
203	20KΩ
253	25KΩ
503	50KΩ
104	100KΩ
204	200KΩ
254	250KΩ
504	500KΩ
105	1,0MΩ
205	2,0MΩ

**THT Single-Turn Cermet
Trimmer 3362 Type Z**

Serie No.: **X28010**

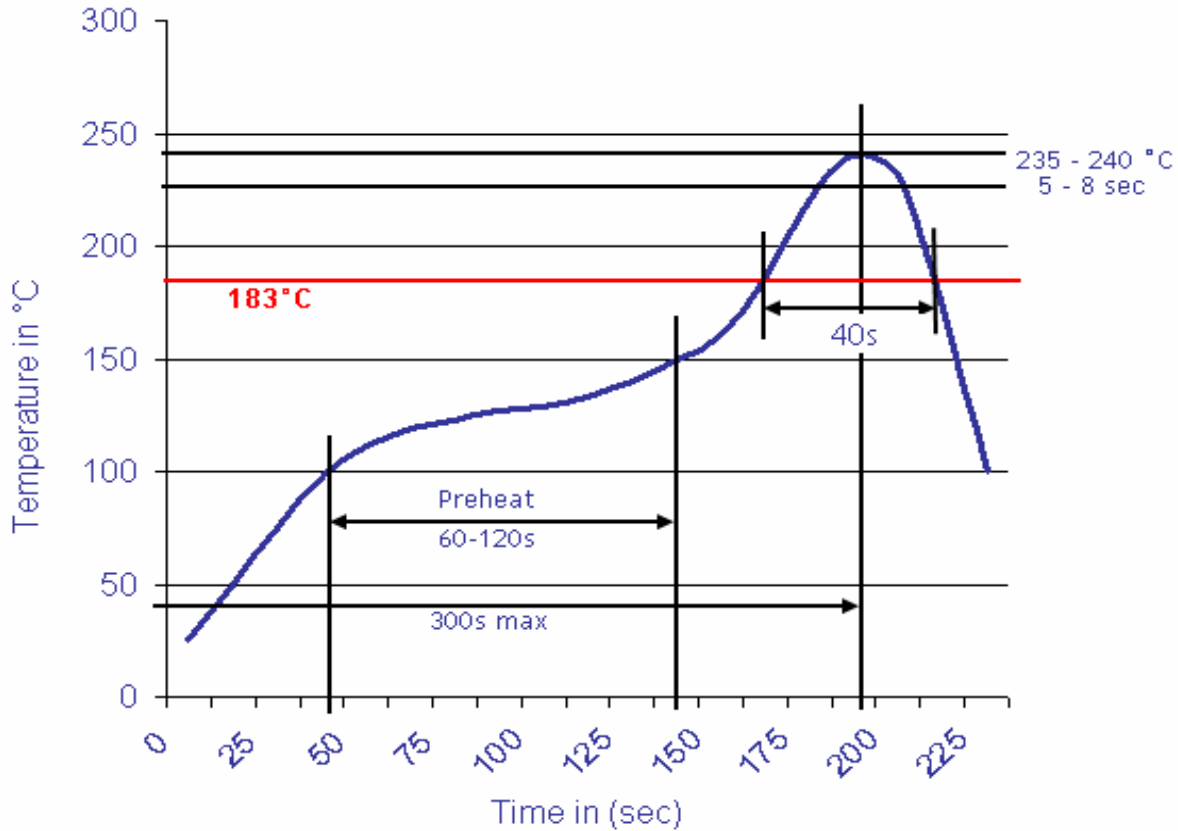
Customer:

DRW:	Jason	CHKD	Jules	MATL:	Wu	DATE	09.09.2009
APPD:	Join			FINISH	Shieh	Sheet	2 from 3



Soldering Profile

Classification Reflow Profile (JEDEC J-STD-020C)



Ordering Information

Serie	Ordering Code	Tolerance	ROHS	Packing		
X28010	100	K	R	TU050		

100= 10Ω	K= Tol. 10%	R= ROHS conform	BU101= Bulk Ware 100PCS
		N= NON ROHS conform	TU050= Tupe 50PCS

THT Single-Turn Cermet Trimmer 3362 Type Z	
Serie No.:	X28010
Customer:	

DRW:	Jason	CHKD	Jules	MATL:	Wu	DATE	09.09.2009
APPD:	Join			FINISH	Shieh	Sheet	3 from 3