



### Technical Specification

#### Electrical Characteristics

Standard Resistance Range: 10Ω to 2,0MΩ  
 Look Standard resistance table  
 Standard Resistance Tolerance: 10%  
 Singleturn Cermet Industrial Style  
 Absolute Minimum Resistance: 1% or 2 Ohms max.  
 whichever is greater  
 Contact Resistance Variation: 3% or 3Ohms max.  
 whichever is greater  
 Withstanding Voltage 700VAC  
 Insulation Resistance: > 1000MΩ min.

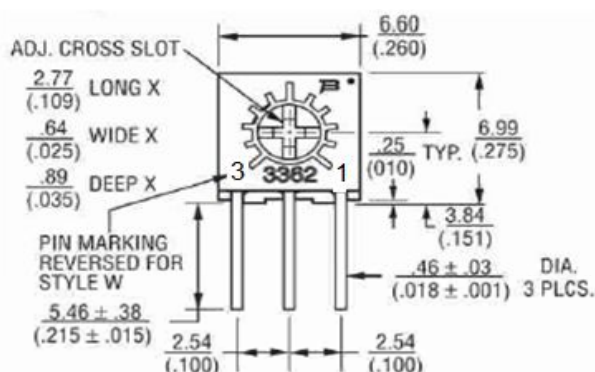
#### Environmental Characteristics

Power Rating: ( 315Volts max.)  
 0,5Watt/ 70°C / 0Watt / 125°C  
 Temperature Range: -55°C ~ +125°C  
 Temperature Coefficient: +/-100ppm/°C  
 Vibration: 10-500Hz 0,75mm 6Hours  
 Shock 390m/s 4000cycles  
 Load Life: 1000hrs 0,5W @ 70°C  
 (3% Δ TR; 3% or 3 Ohms).  
 Rotational Life: 200cycles (3% Δ TR; 3% or 3 Ohms).  
 whichever is greater, CRV  
 Thermal Shock: 5cycles (2% Δ TR; 1% Δ VR).

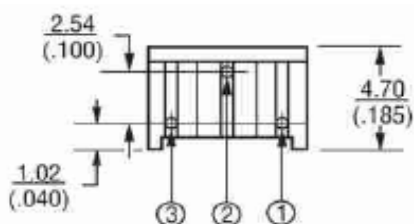
#### Physical Characteristics

Torque: 30nM \* m. max.  
 Flammability: UL94V-0

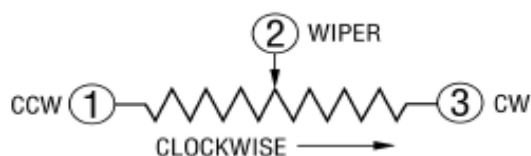
### Technical Dimensions Type W



#### PCB Layout



#### Physical Structure

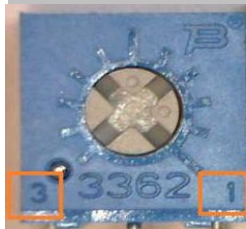


#### THT Single-Turn Cermet Trimmer 3362 Type W

Serie No.: X28008

Customer:

DRW:	Jason	CHKD	Jules	MATL:	Wu	DATE	17.11.2022
APPD:	Join			FINISH	Shieh	Sheet	1 from 3



**Range Code Table**

Ordering Code	Range
100	10Ω
200	20Ω
500	50Ω
101	100Ω
201	200Ω
501	500Ω
102	1,0KΩ
202	2,0KΩ
502	5,0KΩ
103	10KΩ
203	20KΩ
253	25KΩ
503	50KΩ
104	100KΩ
204	200KΩ
254	250KΩ
504	500KΩ
105	1,0MΩ
205	2,0MΩ

**THT Single-Turn Cermet  
 Trimmer 3362 Type W**

Serie No.: **X28008**

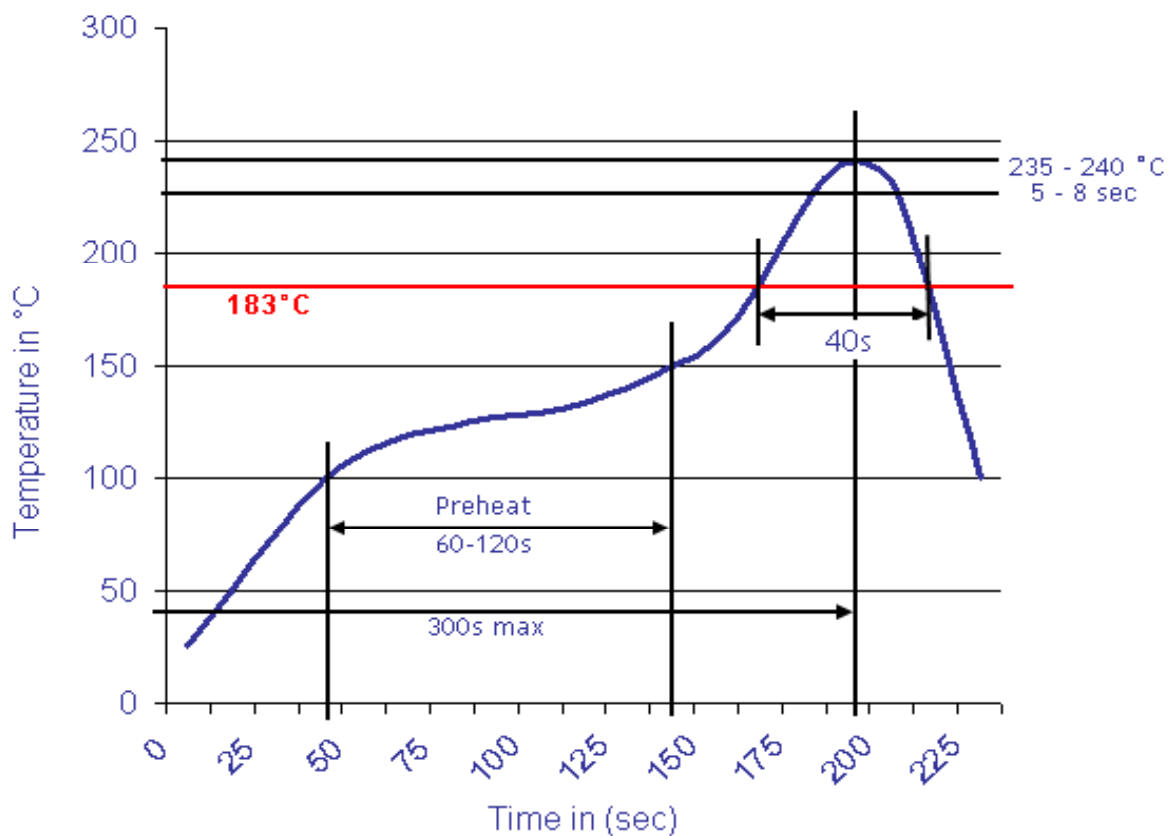
Customer:

DRW:	Jason	CHKD	Jules	MATL:	Wu	DATE	17.11.2022
APPD:	Join			FINISH	Shieh	Sheet	2 from 3



**Soldering Profile**

**Classification Reflow Profile (JEDEC J-STD-020C)**



**Ordering Information**

Serie	Ordering Code	Tolerance	ROHS	Packing		
<b>X28008</b>	<b>100</b>	<b>K</b>	<b>R</b>	<b>TU050</b>		

<b>100</b> = 10Ω	<b>K</b> = Tol. 10%	<b>R</b> = ROHS conform	<b>BU101</b> = Bulk Ware 100PCS
		<b>N</b> =NON ROHS conform	<b>TU050</b> = Tupe 50PCS

<b>THT Single-Turn Cermet Trimmer 3362 Type W</b>	
Serie No.:	<b>X28008</b>
Customer:	

DRW:	Jason	CHKD	Jules	MATL:	Wu	DATE	17.11.2022
APPD:	Join			FINISH	Shieh	Sheet	3 from 3