



Technical Specification

Electrical Characteristics

Standard Resistance Range: 10Ω to 2,0MΩ
 Look Standard resistance table
 Standard Resistance Tolerance: 10%
 Singleturn Cermet Industrial Style
 Absolute Minimum Resistance: 1% or 2 Ohms max.
 whichever is greater
 Contact Resistance Variation: 3% or 3Ohms max.
 whichever is greater
 Withstanding Voltage 700VAC
 Insulation Resistance: > 1000MΩ min.

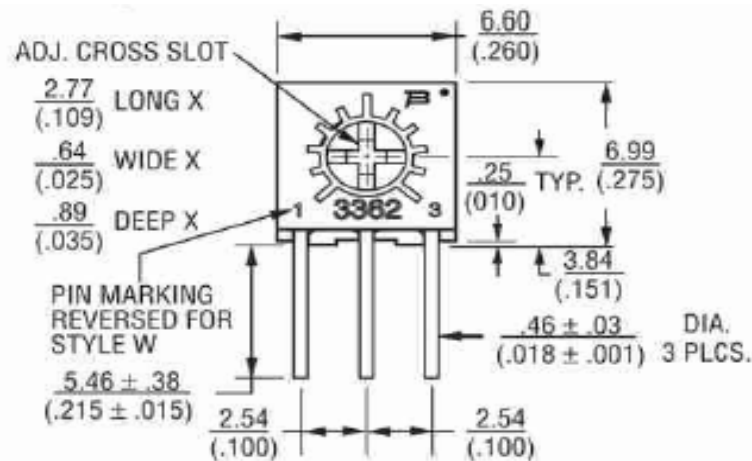
Environmental Characteristics

Power Rating: (315Volts max.)
 0,5Watt/ 70°C / 0Watt / 125°C
 Temperature Range: -55°C ~ +125°C
 Temperature Coefficient: +/-100ppm/°C
 Vibration: 10-500Hz 0,75mm 6Hours
 Shock 390m/s 4000cycles
 Load Life: 1000hrs 0,5W @ 70°C
 (3% Δ TR; 3% or 3 Ohms).
 Rotational Life: 200cycles (3% Δ TR; 3% or 3 Ohms).
 whichever is greater, CRV
 Thermal Shock: 5cycles (2% Δ TR; 1% Δ VR).

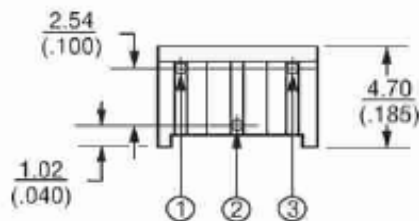
Physical Characteristics

Torque: 30nM * m. max.
 Flammability: UL94V-0

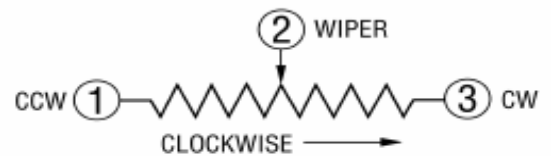
Technical Dimensions Type S



PCB Layout



Physical Structure



THT Single-Turn Cermet Trimmer 3362 Type S

Serie No.: X28007

Customer:

| | | | | | | | |
|-------|-------|------|-------|--------|-------|-------|------------|
| DRW: | Jason | CHKD | Jules | MATL: | Wu | DATE | 09.09.2009 |
| APPD: | Join | | | FINISH | Shieh | Sheet | 1 from 3 |

Copyright by EDCON-COMPONENTS H.Schmitt



Range Code Table

| Ordering Code | Range |
|---------------|-------|
| 100 | 10Ω |
| 200 | 20Ω |
| 500 | 50Ω |
| 101 | 100Ω |
| 201 | 200Ω |
| 501 | 500Ω |
| 102 | 1,0KΩ |
| 202 | 2,0KΩ |
| 502 | 5,0KΩ |
| 103 | 10KΩ |
| 203 | 20KΩ |
| 253 | 25KΩ |
| 503 | 50KΩ |
| 104 | 100KΩ |
| 204 | 200KΩ |
| 254 | 250KΩ |
| 504 | 500KΩ |
| 105 | 1,0MΩ |
| 205 | 2,0MΩ |

**THT Single-Turn Cermet
Trimmer 3362 Type S**

Serie No.: **X28007**

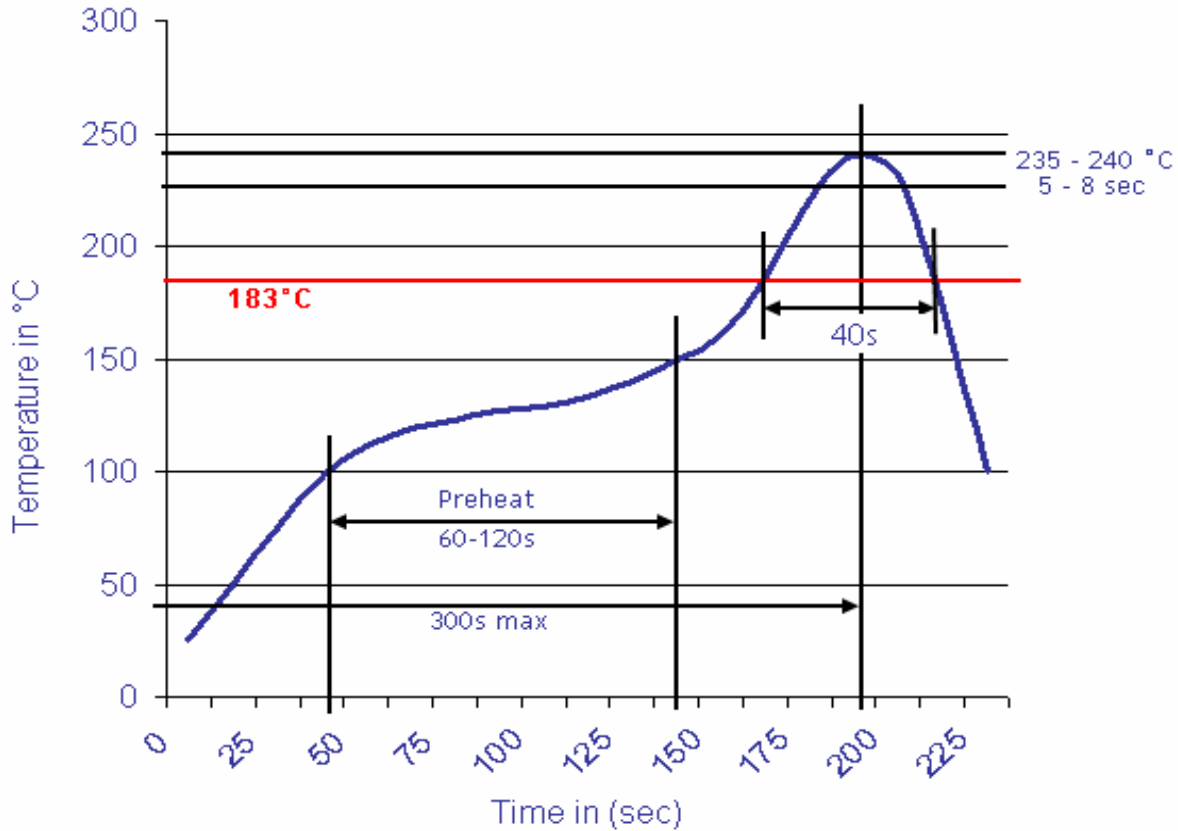
Customer:

| | | | | | | | |
|-------|-------|------|-------|--------|-------|-------|------------|
| DRW: | Jason | CHKD | Jules | MATL: | Wu | DATE | 09.09.2009 |
| APPD: | Join | | | FINISH | Shieh | Sheet | 2 from 3 |



Soldering Profile

Classification Reflow Profile (JEDEC J-STD-020C)



Ordering Information

| Serie | Ordering Code | Tolerance | ROHS | Packing | | |
|---------------|---------------|-----------|----------|--------------|--|--|
| X28007 | 100 | K | R | TU050 | | |

| | | | |
|-----------------|--------------------|----------------------------|--------------------------------|
| 100= 10Ω | K= Tol. 10% | R= ROHS conform | BU101= Bulk Ware 100PCS |
| | | N= NON ROHS conform | TU050= Tupe 50PCS |

| | |
|---|---------------|
| THT Single-Turn Cermet Trimmer 3362 Type S | |
| Serie No.: | X28007 |
| Customer: | |

| | | | | | | | |
|-------|-------|------|-------|--------|-------|-------|------------|
| DRW: | Jason | CHKD | Jules | MATL: | Wu | DATE | 09.09.2009 |
| APPD: | Join | | | FINISH | Shieh | Sheet | 3 from 3 |