



Technical Specification

Electrical Characteristics

Standard Resistance Range: 10Ω to 2,0MΩ
 Look Standard resistance table
 Standard Resistance Tolerance: 10%
 Tighter Tolerance Available
 Absolute Minimum Resistance: 1% or 2 Ohms max.
 whichever is greater
 Contact Resistance Variation: 3% or 3Ohms max.
 whichever is greater
 Resolution: Essentially Infinite
 Insulation Resistance: 500VDC / 1000MΩ min.
 Dielectric Strength: 101,3KPa 600VAC 8,5KPa 250Vac
 Effective Travel: 11 turns nominal.
 TCR of shaded areas +/-250ppm/°C

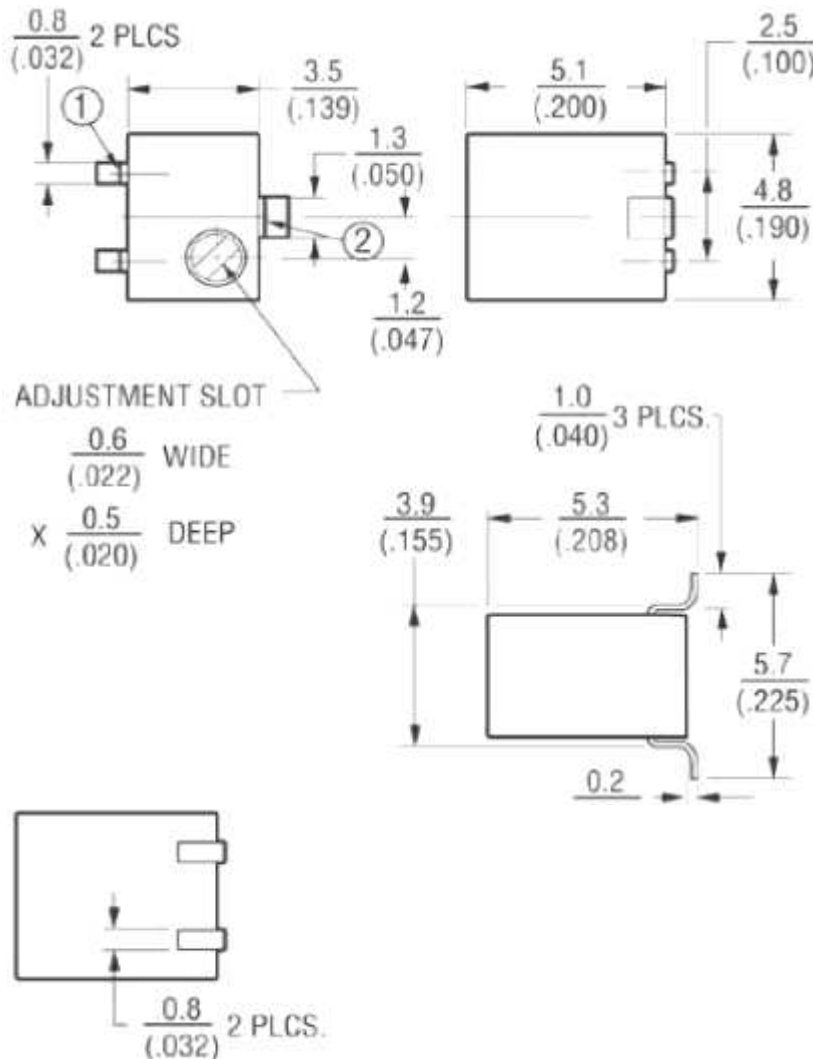
Environmental Characteristics

Power Rating: (200Volts max.)
 0,25Watt/ 70°C / 0Watt / 125°C
 Temperature Range: -55°C ~ +125°C
 Temperature Coefficient: +/-100ppm/°C
 Vibration: 98m/s² (1%Δ TR;1%Δ VR)
 Shock 490m/s² (1%Δ TR;1%Δ VR)
 Load Life: 1000hrs 0,25W @ 70°C
 (3% Δ TR; 3% or 3 Ohms).
 Rotational Life: 200cycles (3% Δ TR; 3% or 3 Ohms).
 whichever is greater, CRV
 Thermal Shock: 5cycles (2% Δ TR; 1% Δ VR).

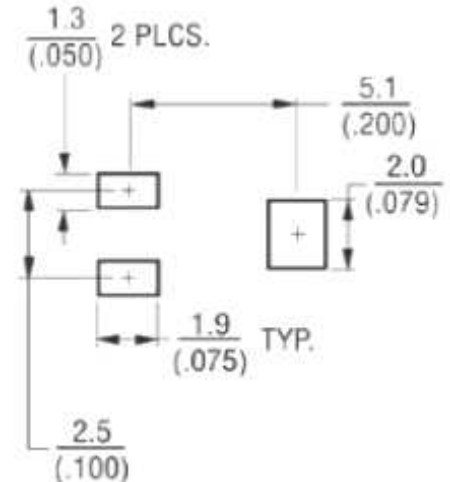
Physical Characteristics

Torque: 25nM * m. max.
 Mechanical Stops: Wiper idles
 Wiper: Set at 50% nominal

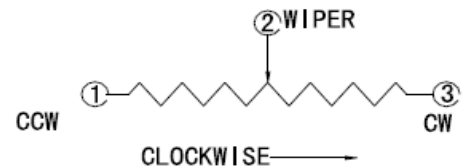
Technical Dimensions



PCB Layout



Physical Structure



SMT Multi-Turn Resistor

Serie No.: **X21004**

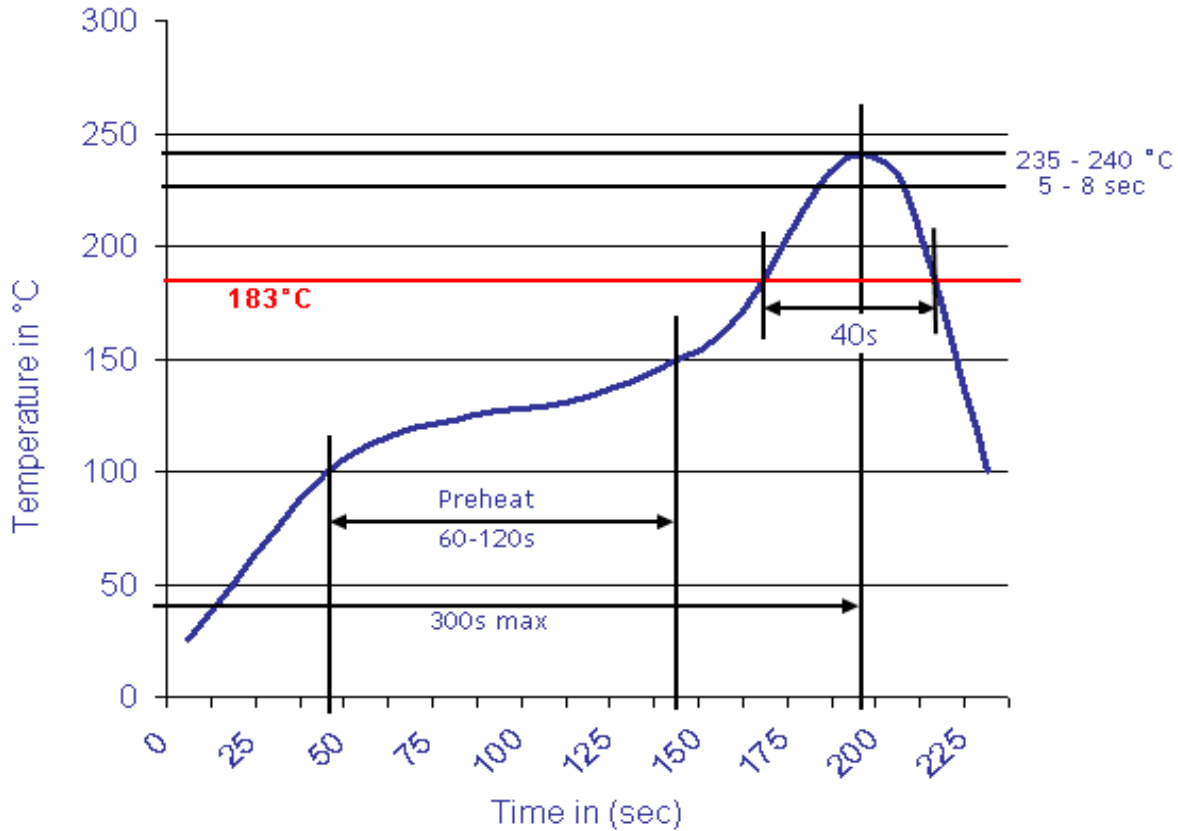
Customer:

DRW:	Jason	CHKD	Jules	MATL:	Wu	DATE	12.07.2014
APPD:	Join			FINISH	Shieh	Sheet	1 from 2



Soldering Profile

Classification Reflow Profile (JEDEC J-STD-020C)



Ordering Information

Serie	Range	Tolerance	ROHS	Packing		
X21004	100	K	R	TR		

100= 10Ω	K= Tol. 10%	R= ROHS conform	TR= Tape Reel
205= 2,0 M Ω	J= Tol. 5%	N= NON ROHS conform	

Range between 10 Ohm ~ 2,0M Ohm

SMT Multi-Turn Resistor	
Serie No.:	X21004
Customer:	

DRW:	Jason	CHKD	Jules	MATL:	Wu	DATE	12.07.2014
APPD:	Join			FINISH	Shieh	Sheet	2 from 2