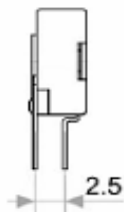


# EDCON-COMPONENTS



## Electrical Characteristics

Standard Resistance Range: 100Ω ~ 1,0MΩ  
 Resistance Tolerance: +/-30% Standard  
 Contact Resistance Variation : ≤3%  
 Effective Travel: 215° normal  
 Absolute Minimum Resistance: ≤ 1% max.  
 Resistance: Essentially infinite:

## Features

Carbon Resistive Element  
 Dust Proof Enclosure  
 Polyester Substrate  
 Wider Position at 50% or fully clockwise  
 Supplied in magazines for automatic insertion  
 Long life model for low cost control potentiometer application  
 Self Extinguishable Plastic UL94V-0

## Range Code Table

Ordering Code	Range
101	100Ω
221	220Ω
331	330Ω
102	1,0KΩ
222	2,2KΩ
332	3,3KΩ
103	10KΩ
223	22KΩ
333	33KΩ
503	50KΩ
104	100KΩ
204	200KΩ
504	500KΩ
105	1,0MΩ
205	2,0MΩ
505	5,0MΩ

## Environmental Characteristics

Range of Value: 100Ω to 5MΩ  
 Resistance Tolerance: 100Ω to 1,0MΩ +/-20% (M)  
 Resistance Tolerance: 1,0MΩ to 5,0MΩ +/-30% (N)  
 Max. Voltage: 250VDC(lin), 125VDC( no lin)  
 Residual Power: @50°C 0,25W(lin) 0,12W( no lin)  
 Equivalent Noise Resistance: ≤3% Rn(3Ωmin)  
 Operating Temperature: -25°C to +70°C

## Physical Characteristics

Mechanical Angle: 265° +/- 5°  
 Electrical Rotation angle: 250° +/-20%  
 Torque: 0,5 to 2,5N-cm  
 Stop Torque: ≥20N-cm  
 Marking: resistance and date code  
 Standard Packing 200pcs/Bag

**10mm THT Single-Turn  
 Trimmer Type PT10H**

Part No.: **X18009**

DRW:	Jason	CHKD	Wilson	MATL:	Wilson	TOLERANCE	Mason	DATE	10.04.2009
APPD:	Schumi			FINISH	Jamy		Sheet No.		1 from 5

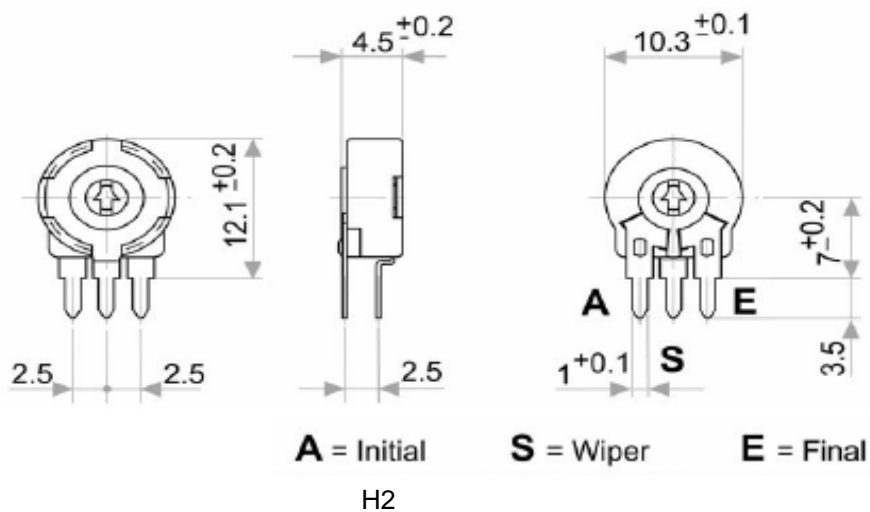
Customer:

# EDCON-COMPONENTS

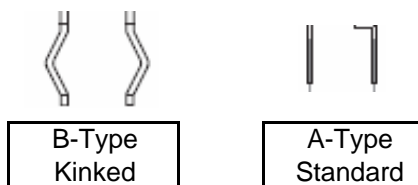


## Technical Specifications Alternative to Brand Piher 10mm

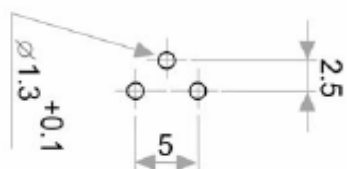
### Technical Dimension



### Leg Style



### PCB Layout



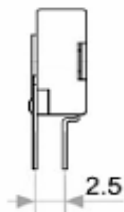
**10mm THT Single-Turn  
Trimmer Type PT10H**

Part No.: **X18009**

Customer:

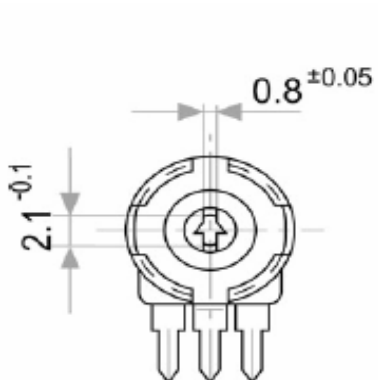
DRW:	Jason	CHKD	Wilson	MATL:	Wilson	TOLERANCE	Mason	DATE	10.04.2009
APPD:	Schumi			FINISH	Jamy		Sheet No.	2 from 5	

# EDCON-COMPONENTS

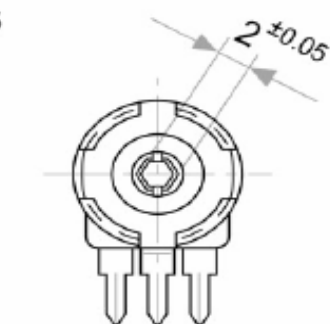


## Technical Specifications Alternative to Brand Piher 10mm

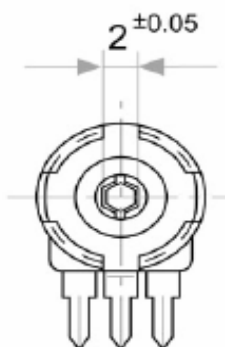
### Rotor Style Variation



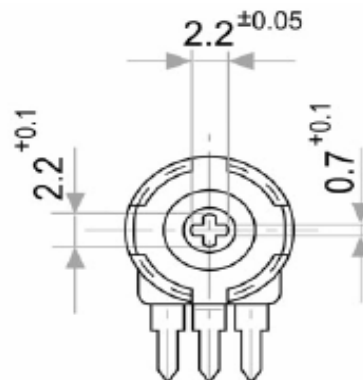
**L** = Screwdriver thru hole



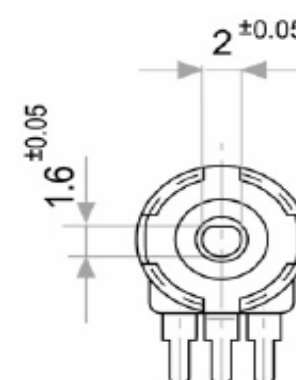
**M** = Hexagonal thru hole



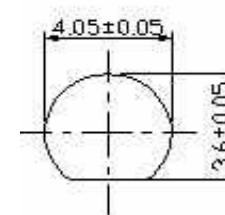
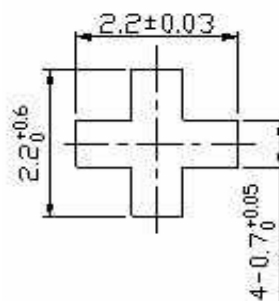
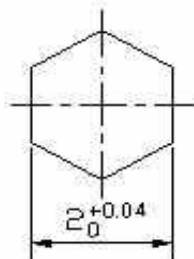
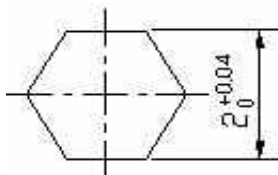
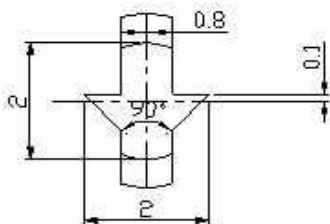
**G** = Hexagonal thru hole



**K** = Cross slot thru hole



**R**



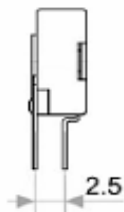
**10mm THT Single-Turn Trimmer Type PT10H**

Part No.: **X18009**

DRW:	Jason	CHKD	Wilson	MATL:	Wilson	TOLERANCE	Mason	DATE	10.04.2009
APPD:	Schumi			FINISH	Jamy		Sheet No.	3 from 5	

Customer:

# EDCON-COMPONENTS



## Ordering Informations

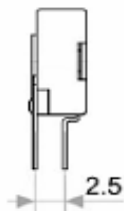
Serie	Range Code	Tolerance	Curve/ Taper	Rotor for Axle	Electrical Lifetime	Leg Style	ROHS	Packing		
<b>X18009</b>	<b>101</b>	<b>M</b>	<b>A</b>	<b>L</b>	<b>1</b>	<b>A</b>	<b>R</b>	<b>BU201</b>		

<b>101=</b> 100Ω	<b>M=</b> Tol. 20%	<b>A=</b> Linear	<b>L=</b> Screwdriver	<b>1=</b> Standard 500cycles	<b>A=</b> Standard leg	<b>R=</b> ROHS conform	<b>BU201=</b> Bulk-Ware 200PCS <b>MA=</b> Magazine
	<b>N=</b> Tol. 30%	<b>B=</b> Logarithmisch	<b>M=</b> Hexagonal 1	<b>2=</b> 10000cycles	<b>B=</b> Kinked leg	<b>N=</b> NON ROHS conform	
		<b>C=</b> Anti Logarithmisch	<b>G=</b> Hexagonal 2	<b>3=</b> 100000 cycles (to be studied case by case)			
			<b>K=</b> Cross Slot				
			<b>R=</b> Half moon				

**10mm THT Single-Turn Trimmer Type PT10H**

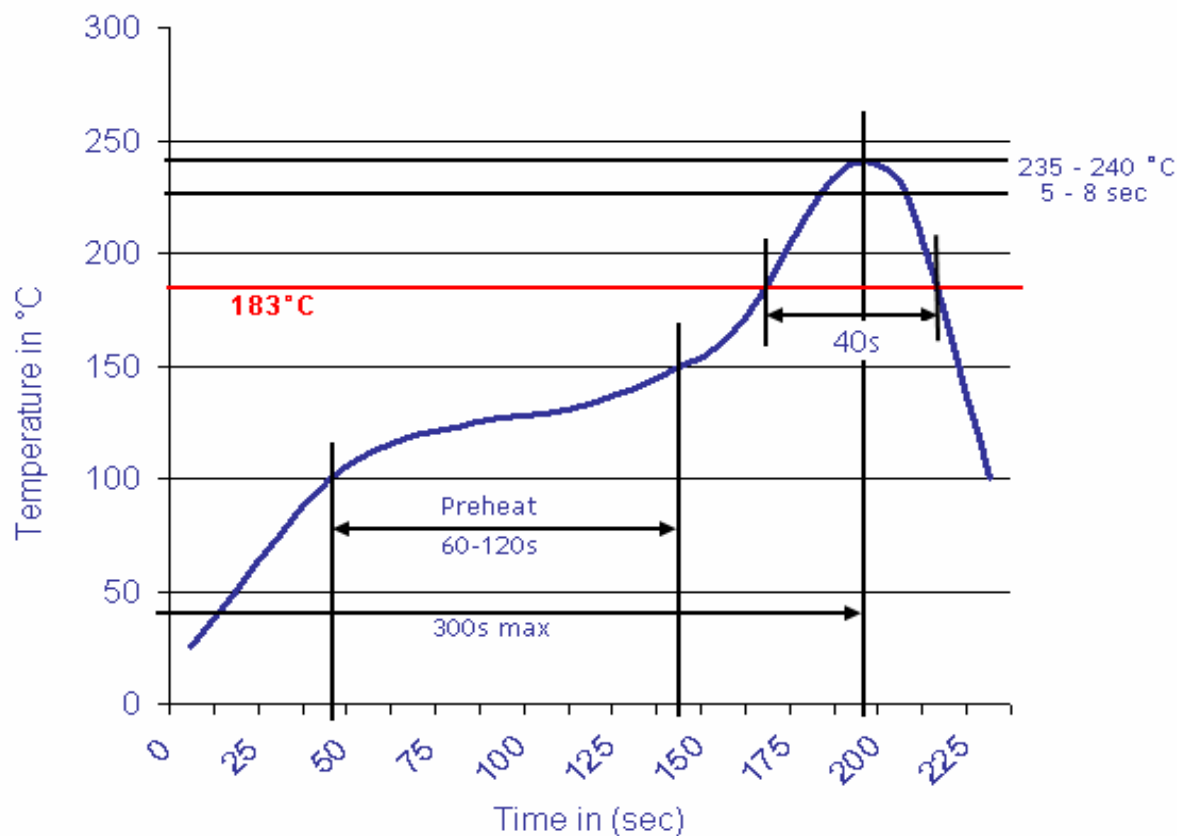
Part No.: **X18009**

DRW:	Jason	CHKD	Wilson	MATL:	Wilson	TOLERANCE	Mason	DATE	10.04.2009	Customer:
APPD:	Schumi			FINISH	Jamy		Sheet No.	4 from 5		



Soldering Profile Curve

Classification Reflow Profile (JEDEC J-STD-020C)



<b>10mm THT Single-Turn Trimmer Type PT10H</b>	
Part No.:	<b>X18009</b>
Customer:	

DRW:	Jason	CHKD	Wilson	MATL:	Wilson	TOLERANCE	Mason	DATE	10.04.2009
APPD:	Schumi			FINISH	Jamy		Sheet No.	5 from 5	