



Technical Specification

Electrical Characteristics

Standard: Resistance Range: 100Ω ~ 100KΩ
 Resistance Tolerance: +/-5% Standard
 Independent Linearity: +/-0,55%
 Terminal Resistance: ≤0,2% R or 5Ω
 Noise: ≤ 0,3% R or 3Ω
 Effective Electrical Travel: ≥3600° normal
 Insulation Resistance: ≥1KMΩ

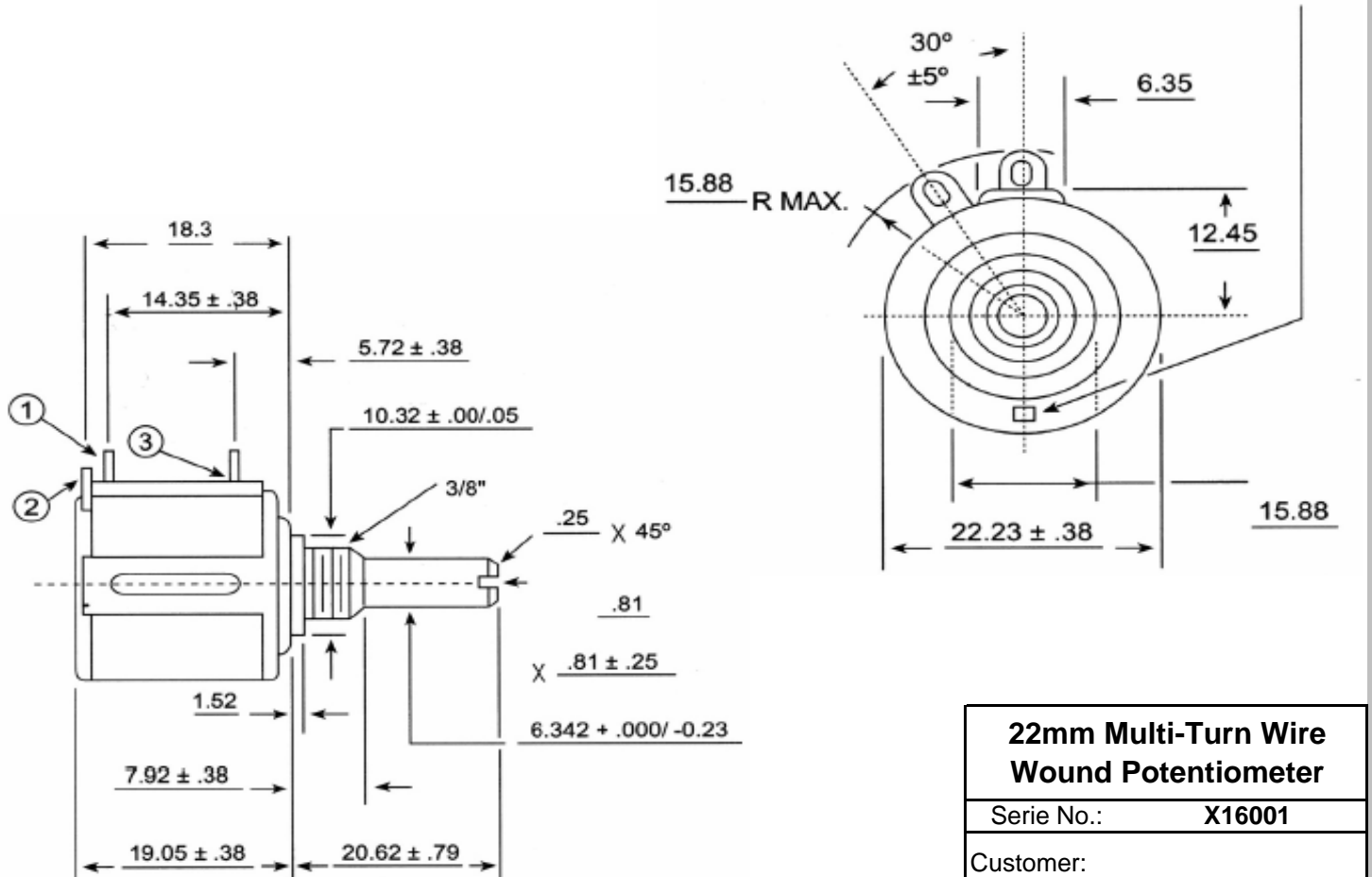
Environmental Characteristics

Power Rating: (500V max.) 2W @ 70°C 0W@125°C
 Temperature Range: -55°C to +125°C
 Temperature Coefficient: +/-100ppm/°C
 Load Life: 1000hrs, 2W@ 70°C
 Mechanical Endurance: 10000Cycles, ΔR ≤+/-3%

Physical Characteristics

Mechanical Travel: 3600° +/-10%
 Starting Torque: ≥36mN-m
 Clutch Torque: ≥300mN-m
 Marking: Resistance code
 Standard Packing: 20PCS per Box

Technical Dimensions



DRW:	Jason	CHKD	Jules	MATL:	Wu	DATE	06.09.2009
APPD:	Join			FINISH	Shieh	Sheet	1 from 2

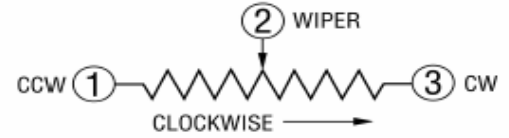
Copyright by EDCON-COMPONENTS H.Schmitt



Range code Table

Ordering Code	Range
100	10Ω
200	20Ω
500	50Ω
101	100Ω
201	200Ω
501	500Ω
102	1,0KΩ
202	2,0KΩ
502	5,0KΩ
103	10KΩ
203	20KΩ
253	25KΩ
503	50KΩ
104	100KΩ
204	200KΩ
254	250KΩ
504	500KΩ
105	1,0MΩ
205	2,0MΩ

Physical Structure



Ordering Information

Serie	Ordering Code	Tolerance	ROHS	Packing		
X16001	101	J	R	BX200		

101= 100Ω	J= Tol. 5%	R= ROHS conform	BX200= Box 20PCS
		N= NON ROHS conform	

22mm Multi-Turn Wire Wound Potentiometer

Serie No.: **X16001**

Customer:

DRW:	Jason	CHKD	Jules	MATL:	Wu	DATE	06.09.2009
APPD:	Join			FINISH	Shieh	Sheet	2 from 2

