

Technical Specification

Electrical Characteristics

Standard Resistance Range: 100Ω to 2,0MΩ

Standard Resistance Tolerance: 10% / 20% Standard
Tighter Tolerance Available

Absolute Minimum Resistance: 1% or 2 Ohms max.
whichever is greater

Contact Resistance Variation: 3% or 3Ohms max.
whichever is greater

Resolution: Infinite

Insulation Resistance: 500VDC / 1000MΩ min.

Dilectric Strength: 101,3KPa 600VAC 8,5KPa 250Vac

Adjustability: Voltage +/- 0,05% Resistance +/-0,15%

Adjunstment Angle: 210° nom.

Environmental Characteristics

Power Rating: (200Volts max.)
0,5Watt/ 70°C / 0Watt / 125°C

Temperature Range: -55°C ~ +125°C

Temperature Coeffizient: +/-100ppm/°C

Vibration: 98m/s² (1%Δ TR;1%Δ VR)

Shock 390m/s² (1%Δ TR;1%Δ VR)

Load Life: 1000hrs 0,5W @ 70°C
(3% Δ TR; 3% or 3 Ohms).

Rotational Life: 200cycles (3% Δ TR; 3% or 3 Ohms).
whichever is greater, CRV

Physical Characteristics

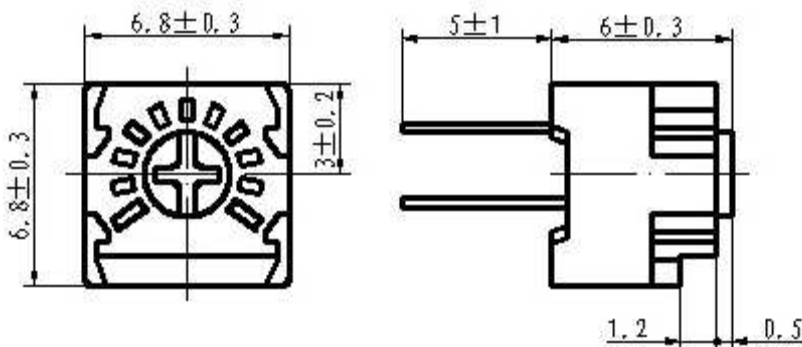
Mechanical Angle 250° nom.

Torque: 20nM * m max.

Stop Strength: 50nm * m min.

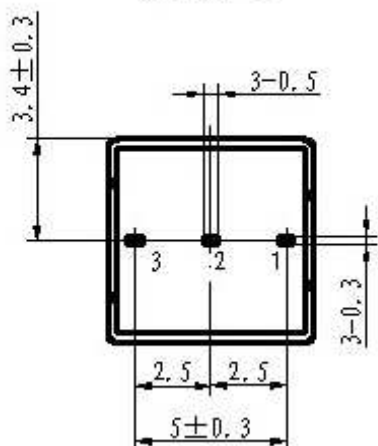
Terminals: Solderable Pins

Technical Dimensions Type J

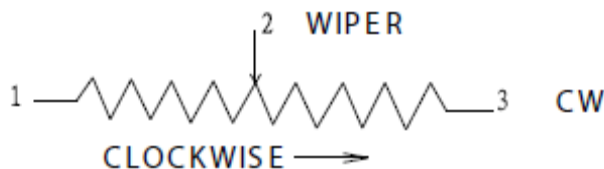


PCB Layout

3323-J



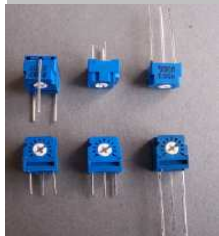
Physical Structure



6mm THT Single-Turn Trimmer Type J	
Serie No.:	X11004
Customer:	

DRW:	Jason	CHKD	Jules	MATL:	Wu	DATE	06.09.2009
APPD:	Join			FINISH	Shieh	Sheet	1 from 3

Copyright by EDCON-COMPONENTS H.Schmitt



Technical Specification

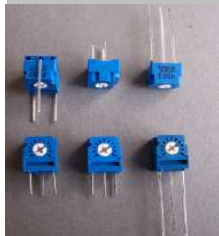
Ordering Code	Range
100	10Ω
200	20Ω
500	50Ω
101	100Ω
201	200Ω
501	500Ω
102	1,0KΩ
202	2,0KΩ
502	5,0KΩ
103	10KΩ
203	20KΩ
253	25KΩ
503	50KΩ
104	100KΩ
204	200KΩ
254	250KΩ
504	500KΩ
105	1,0MΩ
205	2,0MΩ

**6mm THT Single-Turn
 Trimmer Type J**

Serie No.: **X11004**

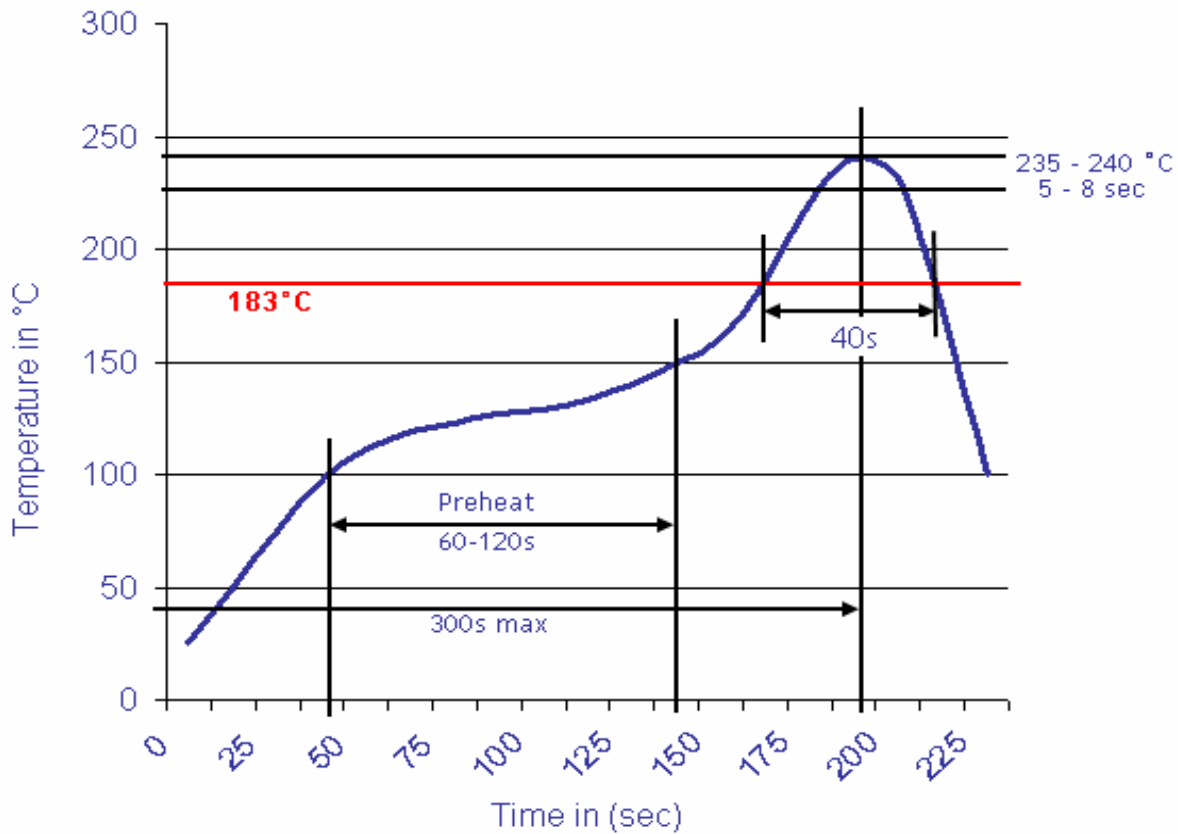
Customer:

DRW:	Jason	CHKD	Jules	MATL:	Wu	DATE	06.09.2009
APPD:	Join			FINISH	Shieh	Sheet	2 from 3



Soldering Profile

Classification Reflow Profile (JEDEC J-STD-020C)



Ordering Information

Serie	Ordering Code	Tolerance	ROHS	Packing		
X11004	100	M	R	BU101		

100= 10Ω	M= Tol. 20%	R= ROHS conform	BU101= Bulk-Ware 100PCS
	K= Tol. 10%	N=NON ROHS conform	TU= Tube Packing

6mm THT Single-Turn Trimmer Type J	
Serie No.:	X11004
Customer:	

DRW:	Jason	CHKD	Jules	MATL:	Wu	DATE	06.09.2009
APPD:	Join			FINISH	Shieh	Sheet	3 from 3