

Data Sheet

Pluggable Terminal Block

Pitch: 5,08 mm

Serie: A14M003

Customer Information for special Item

EDCON Customer : 0

Customer Version No. : 0

EDCON-COMPONENTS



Technical Discription

Drawing (Dimension in mm)

Electrical

Rated voltage	300V
Rated current	15A
Contact resistance	20mΩ
Insulation resistance	5000MΩ / 1000V
Withstanding voltage	AC 1500V/1Min

Mechanical

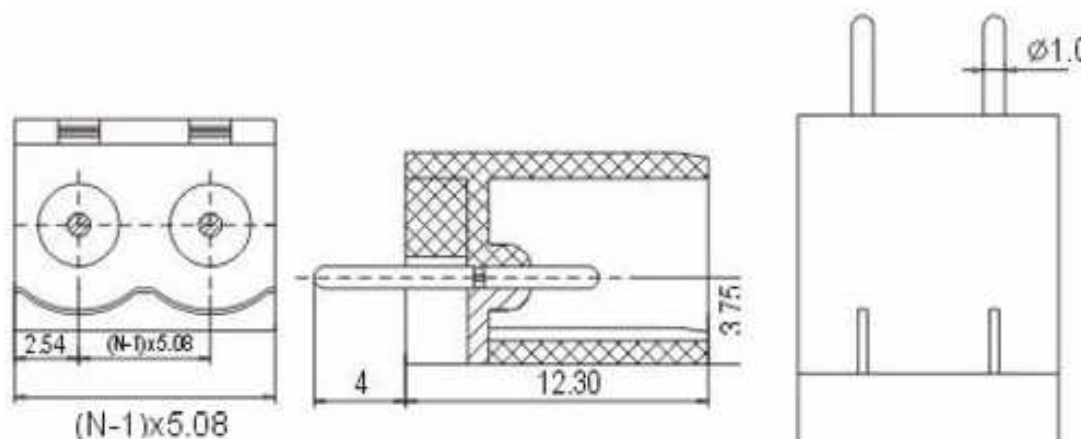
Ambient temperature	-40°C ~ +105°C
Soldering temperature	250°C ±10°C/5sec

Dimensions

Pitch	5.08mm
Poles	2P - 24 P

Material

Housing	PA66 (UL94V-0)
Pin header	Brass, Tin plated



Pluggable Terminal Block

Part No.: **A14M003**

Customer:

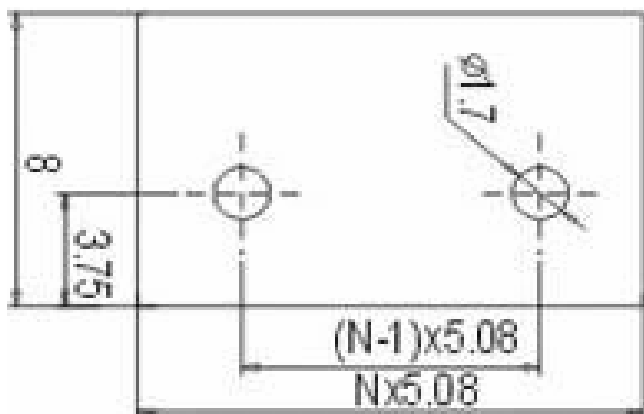
DRW:	Jason	CHKD	Wilson	MATL:	Wilson	TOLERANCE	Mason	DATE	26.05.2014
APPD:	Schumi			FINISH	Jamy		Sheet No.	1 from 4	

EDCON-COMPONENTS



PCB Layout (Dimension in mm)

Dimensions (mm)



No. of Pos.	A	Tol. P
02	10,16	± 0,35
03	15,24	± 0,35
04	20,32	± 0,35
05	25,40	± 0,35
06	30,48	± 0,35
07	35,56	± 0,35
08	40,64	± 0,35
09	45,72	± 0,35
10	50,80	± 0,35
11	55,88	± 0,35
12	60,96	± 0,35
13	66,04	± 0,35
14	71,12	± 0,35
15	76,20	± 0,35
16	81,28	± 0,35
17	86,36	± 0,35
18	91,44	± 0,35
19	96,52	± 0,35
20	101,60	± 0,35
21	106,68	± 0,35
22	111,76	± 0,35
23	116,84	± 0,35
24	121,92	± 0,35

Pluggable Terminal Block

Part No.: **A14M003**

DRW:	Jason	CHKD	Wilson	MATL:	Wilson	TOLERANCE	Mason	DATE	26.05.2014	Customer:
APPD:	Schumi			FINISH	Jamy		Sheet No.	2 from 4		

EDCON-COMPONENTS



Ordering Informations

Serie	No. of Pos.	Body Color	Approval	Approval Code	ROHS	Packing	EDCON Cust. No.	Customer Version		
-------	-------------	------------	----------	---------------	------	---------	-----------------	------------------	--	--

A14M003	02	GN	N	N	R	B				
----------------	-----------	-----------	----------	----------	----------	----------	--	--	--	--

Pitch	02= Number of Pos.	GY= Gray (Standard)	N= No Approval	N= NON Approval	R= ROHS Conform	B= Standard Package	xxxxxx= Customer Number	xxx= Customer Version ??(Printing)
-------	--------------------	---------------------	----------------	-----------------	-----------------	---------------------	-------------------------	------------------------------------

5,08	Standard 2 ~ 24Pos.		1= Approval for Material	A= UL /UR Approval Please consult EDCON for available	N= NON ROHS Conform	I= Individual Package		
		GN= Green	2= Approval for Terminal Block	B= VDE Approval Please consult EDCON for available				
		OR= Orange		C= TÜV Approval Please consult EDCON for available				
		BK= Black						

Pluggable Terminal Block	
Part No.:	A14M003
Customer:	

DRW:	Jason	CHKD	Wilson	MATL:	Wilson	TOLERANCE	Mason	DATE	26.05.2014
APPD:	Schumi			FINISH	Jamy		Sheet No.		3 from 4



Soldering Profile Curve

Classification Reflow Profile (JEDEC J-STD-020C)



Pluggable Terminal Block

Part No.: **A14M003**

Customer:

DRW:	Jason	CHKD	Wilson	MATL:	Wilson	TOLERANCE	Mason	DATE	26.05.2014
APPD:	Schumi			FINISH	Jamy		Sheet No.	4 from 4	