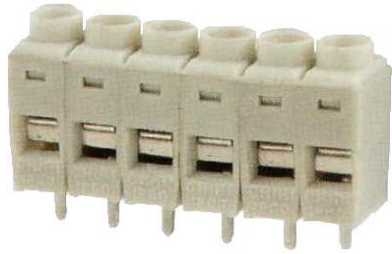
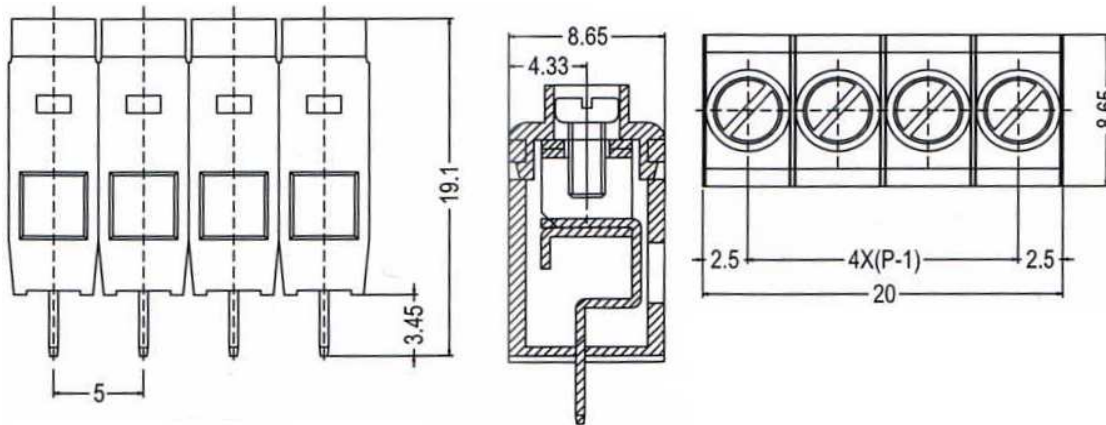


EDCON-COMPONENTS



Drawing



P.C.B. Layout

Specification

Electrical

| | |
|-----------------------|----------------|
| Rated voltage | 300V |
| Rated current | 10A |
| Contact resistance | 20mΩ |
| Insulation resistance | 5000MΩ / 1000V |
| Wire range | 26-16 AWG |
| Withstanding voltage | AC 1500V/1Min |

Mechanical

| | |
|-----------------------|-------------------------|
| Ambient temperature | -40°C ~ +105°C |
| Soldering temperature | 250°C ±10°C/5sec |
| Strip length | 5 ~ 6mm |
| Screw, Torque | M2.5, 0.4Nm (3.6Lb-In.) |

Dimensions

| | |
|-------|--------|
| Pitch | 5.00mm |
|-------|--------|

Material

| | |
|----------------|-------------------|
| Housing | PA66 (UL94V-0) |
| Pin header | Brass, Tin plated |
| Contact | Brass |
| Terminal screw | Steel Zinc plated |



Wire Protector Terminal Block /
Pitch 5.00mm

Part No.: A12L075

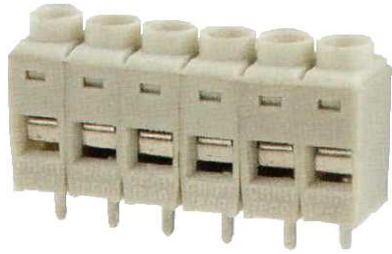
Customer:

| | | | | | | | | | |
|-------|-------|------|------|--------|-------|-----------|-----------|------|------------|
| DRW: | Bill | CHKD | Lord | MATL: | Jimmy | TOLERANCE | Sam | DATE | 14.03.2009 |
| APPD: | Louis | | | FINISH | Georg | | Sheet No. | | 1 from 3 |

www.edcon-components.com

email: info@edcon-components.com

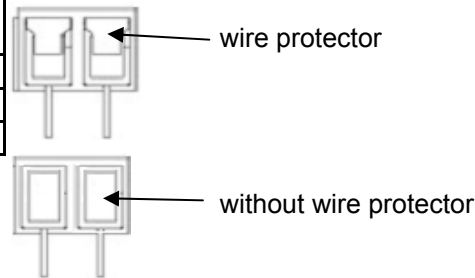
EDCON-COMPONENTS



Ordering Informations

| Serie | - | No. of Pole | Body-Color | wire protector | Screw | Customer Request |
|----------------|---|-------------|------------|----------------|----------|------------------|
| A12L075 | - | XX | XX | X | X | X |

| | | | |
|-------------|--------------------|----------------------------|---------------------------------|
| XX = total | WH - white | 1 - with wire protector | A - Slotted screw (standard) |
| | GN - green | 2 - without wire protector | |
| | GR - gray | | |
| | LG - light gray | | |
| | PG - Phoenix Green | B - Cross-slotted screw | |
| OR - orange | | | |
| BL - blue | | | |
| BK - black | | | |



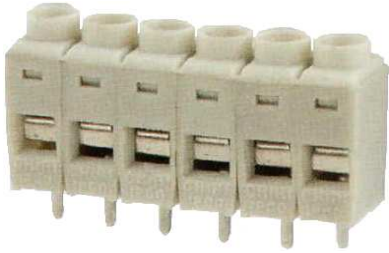
| |
|---|
| Wire Protector Terminal Block / Pitch 5.00mm |
| Part No.: A12L075 |
| Customer: |

| | | | | | | | | | |
|-------|-------|------|------|--------|-------|-----------|-----|-----------|------------|
| DRW: | Bill | CHKD | Lord | MATL: | Jimmy | TOLERANCE | Sam | DATE | 14.03.2009 |
| APPD: | Louis | | | FINISH | Georg | | | Sheet No. | 2 from 3 |

www.edcon-components.com

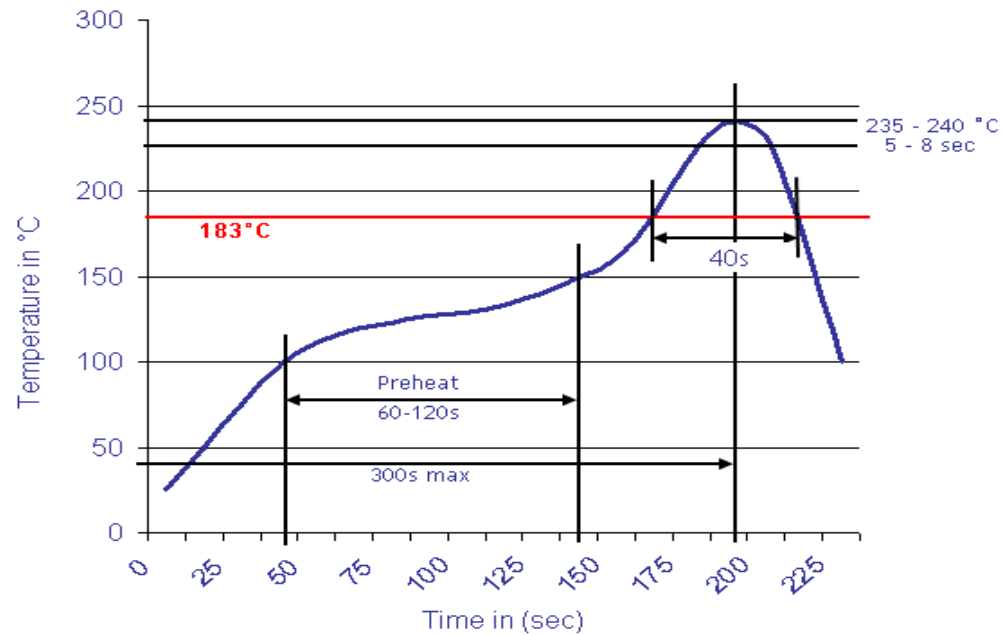
email: info@edcon-components.com

EDCON-COMPONENTS



Soldering - Profil

Classification Reflow Profile (JEDEC J-STD-020C)



Wire Protector Terminal Block /
Pitch 5.00mm

Part No.: A12L075

Customer:

| | | | | | | | | | |
|-------|-------|------|------|--------|-------|-----------|-----------|----------|------------|
| DRW: | Bill | CHKD | Lord | MATL: | Jimmy | TOLERANCE | Sam | DATE | 14.03.2009 |
| APPD: | Louis | | | FINISH | Georg | | Sheet No. | 3 from 3 | |

www.edcon-components.com

email: info@edcon-components.com