

# DATA SHEET

## PCI Express Card Holder

### Serie: T93012

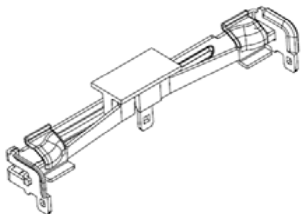
<b>PCI Express Card Holder</b>
--------------------------------

Serie No.: <b>T93012</b>
--------------------------

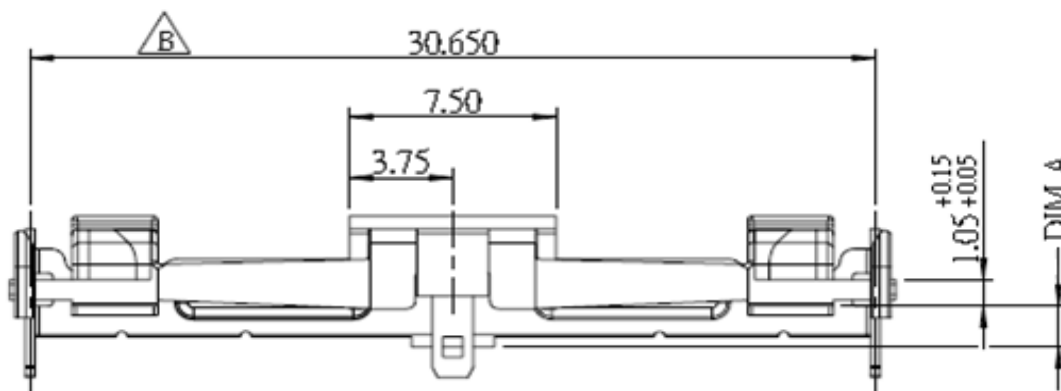
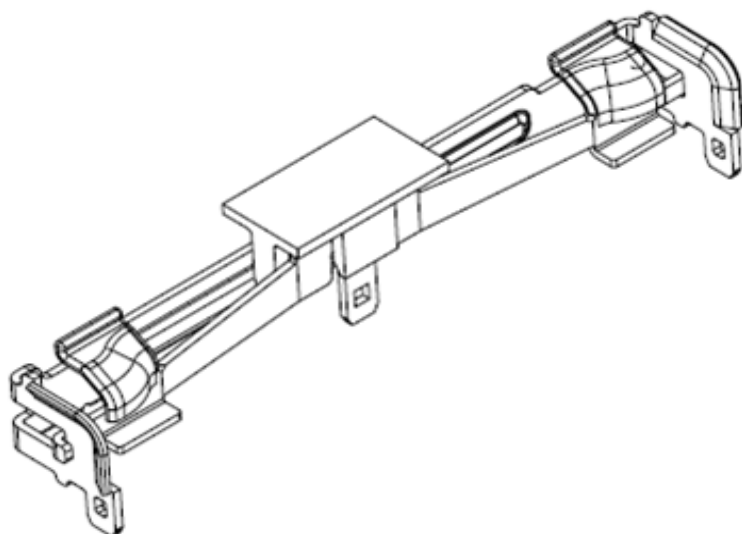
DRW:	Jason	CHKD	Wilson	MATL:	Wilson	TOLERANCE	Mason	DATE	23..02.2017
APPD:	Schumi			FINISH	Jamy			Sheet No.	1 from 5

Customer:
-----------

# EDCON-COMPONENTS



## Technical Description



### PCI Express Card Holder

Part No.: **T93012**

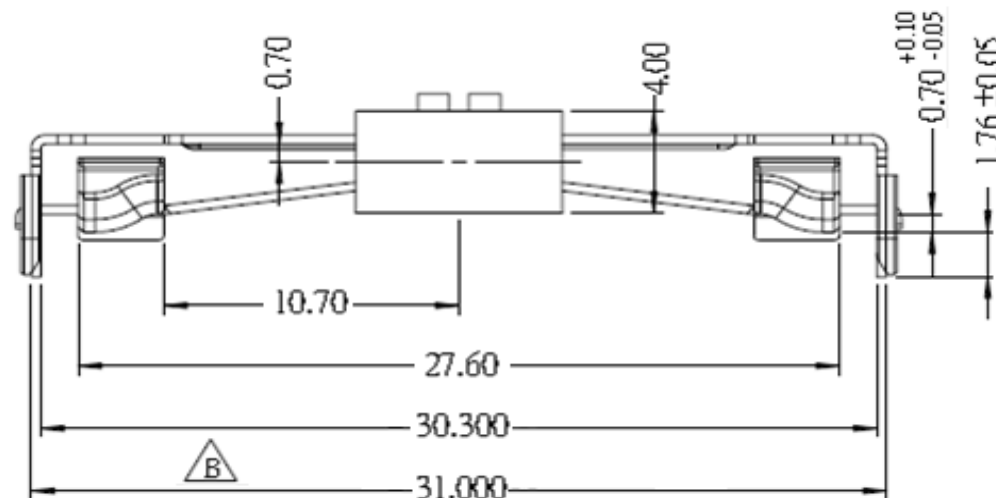
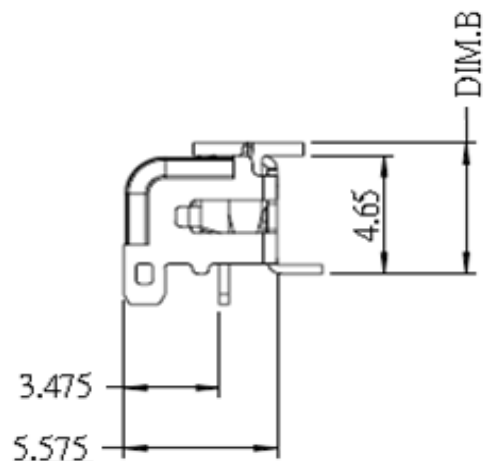
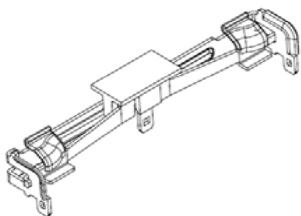
Customer:

DRW:	Jason	CHKD	Wilson	MATL:	Wilson	TOLERANCE	Mason	DATE	23..02.2017
APPD:	Schumi			FINISH	Jamy		Sheet No.	2 from 5	

[www.edcon-components.com](http://www.edcon-components.com)

email: [info@edcon-components.com](mailto:info@edcon-components.com)

# EDCON-COMPONENTS

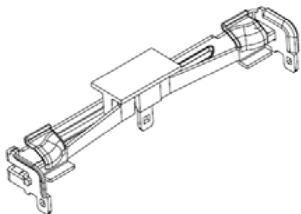


Order Code	No of Pos.	DIM. B +0,05 - 0,10	DIM. A +0,20 - 0,05
A01	40	5,15	1,60
A02	52	6,35	2,80
A03	56	6,75	3,20
A04	60	7,15	3,60
A05	68	7,95	4,40
A06	80	9,15	5,60
A07	90	10,15	6,60
A08	92	10,35	6,80
A09	99	11,05	7,50

<b>PCI Express Card Holder</b>	
Part No.:	<b>T93012</b>
Customer:	

						General Tolerance			
						X. ±0,30	.X ±0,20	.XX ±0,10	.XXX ±0,05
DRW:	Jason	CHKD	Wilson	MATL:	Wilson	TOLERANCE	Mason	DATE	20.05.2014
APPD:	Schumi			FINISH	Jamy		Sheet No.		3 from 5

# EDCON-COMPONENTS



## Ordering Informations

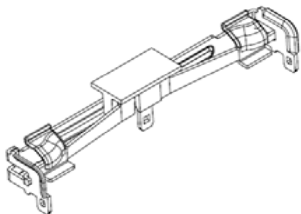
Customer	Height of Body	Special funktion	Special funktion	ROHS	Packing Code					
----------	----------------	------------------	------------------	------	--------------	--	--	--	--	--

<b>T93012</b>	-	<b>A01</b>	<b>N</b>	<b>N</b>	<b>R</b>	<b>TY</b>				
---------------	---	------------	----------	----------	----------	-----------	--	--	--	--

<b>Look Dimensionon Table</b>	<b>N=</b> No Special funktion	<b>N=</b> No Special funktion	<b>R=</b> ROHS Conform	<b>TY=</b> Tray Package
			<b>N=</b> NON ROHS Conform	

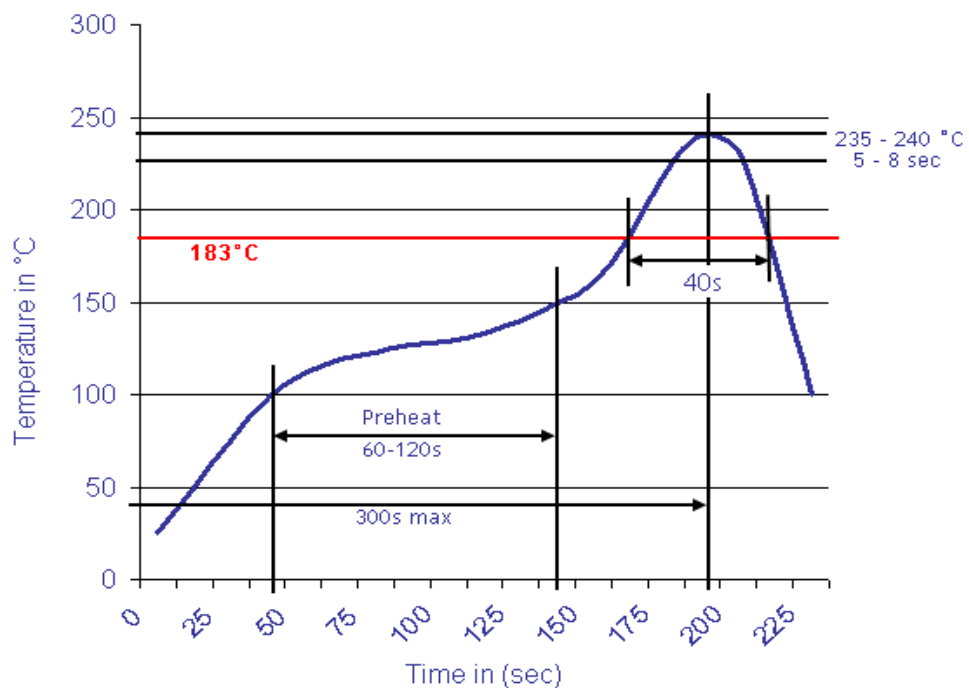
<b>PCI Express Card Holder</b>	
Part No.:	<b>T93012</b>
Customer:	

DRW:	Jason	CHKD	Wilson	MATL:	Wilson	TOLERANCE	Mason	DATE	23..02.2017
APPD:	Schumi			FINISH	Jamy		Sheet No.		4 from 5

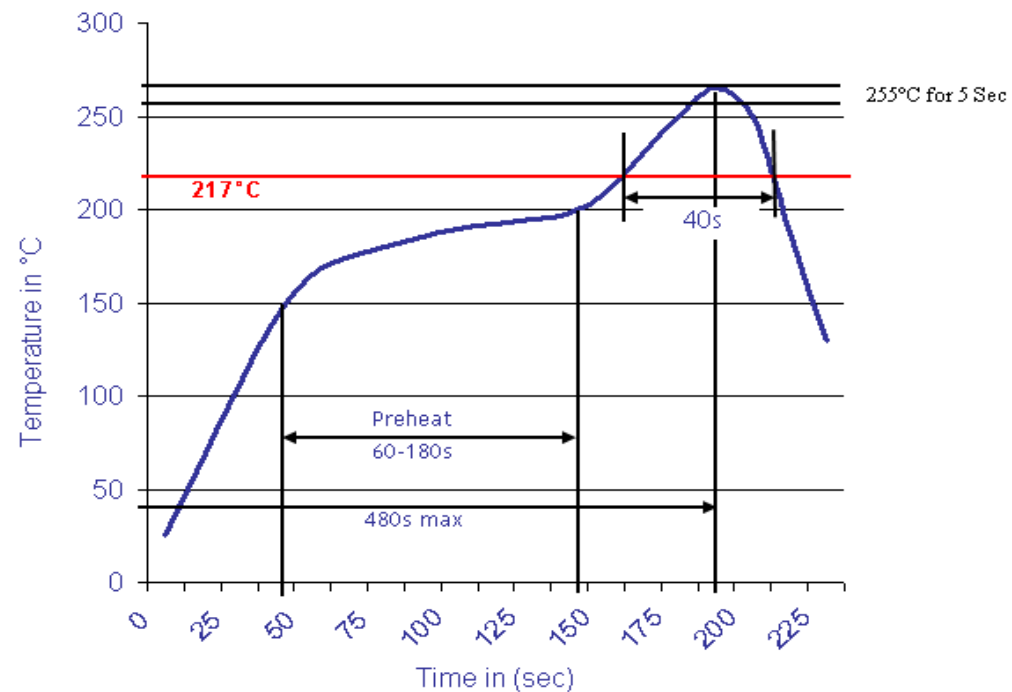


## Soldering Profile Curve

### Classification Reflow Profile (JEDEC J-STD-020C)



### Classification Reflow Profile (JEDEC J-STD-020C)



### PCI Express Card Holder

Part No.: **T93012**

Customer:

DRW:	Jason	CHKD	Wilson	MATL:	Wilson	TOLERANCE	Mason	DATE	23..02.2017
APPD:	Schumi			FINISH	Jamy		Sheet No.	5 from 5	









