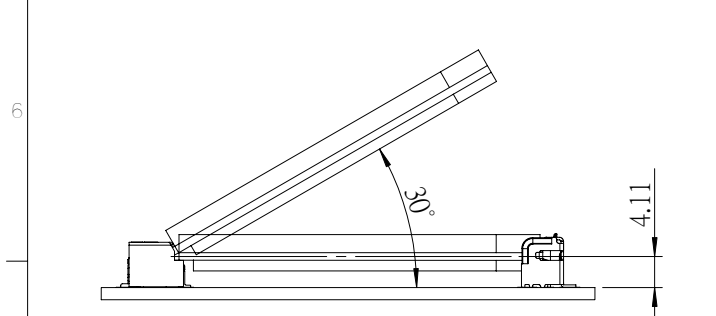
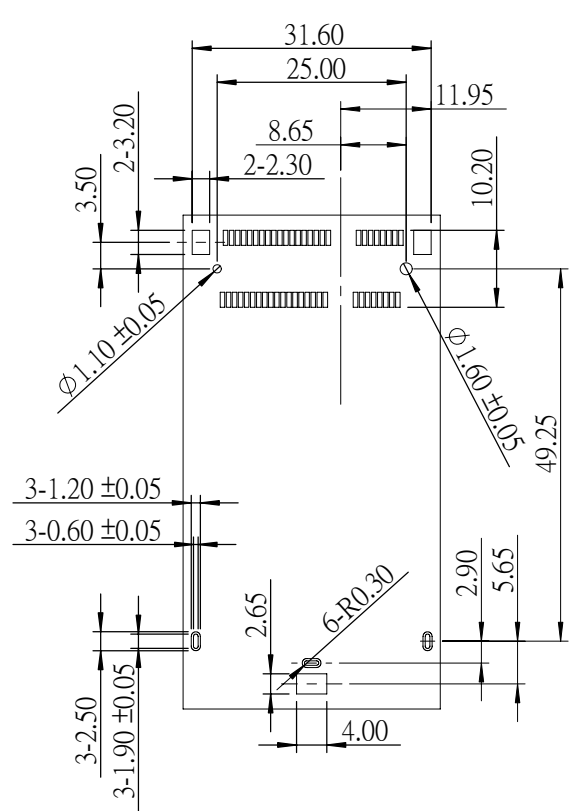


MOUNTING ON BOARD CONDITION



30DEGREE INSERTION CONDITION



RECOMMEND PCB LAYOUT

ITEM	PART NO.	NAME
1	0710A0BA60B	BODY
2	071DAAAZ60B	LATCH

				GENERAL TOLERANCE		DRAW:	PART NO:
				X. ±0.30	X° ± 2.00°	Andrew	0714A0BA60B
				.X ±0.20	.X° ± 1.00°	CHECKED:	TITLE:
				.XX ±0.10	.XX° ± 0.50°		MINI PCI EXPRESS 扣具式
				.XXX ±0.05		APPROVE:	DRAWING NO:
				UNITS:	SHEET:	SEGA	0714A0BA60B
				mm	1 / 1		
REV.	ECO NO.	DESCRIPTION	DATE			 CONCRAFT <i>DRAGONSTATE TECHNOLOGY CO., LTD</i>	
MATERIAL:	FINISH:	DATE:	REV.				
			05/ 15 / 2008	A			