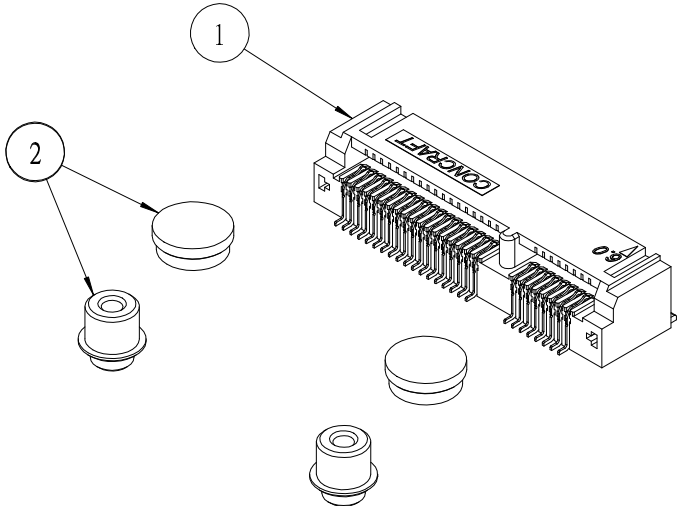
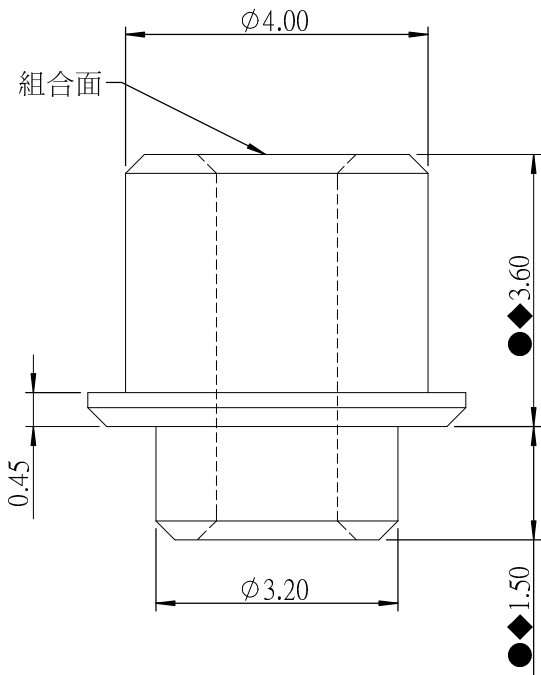


A B C D E F

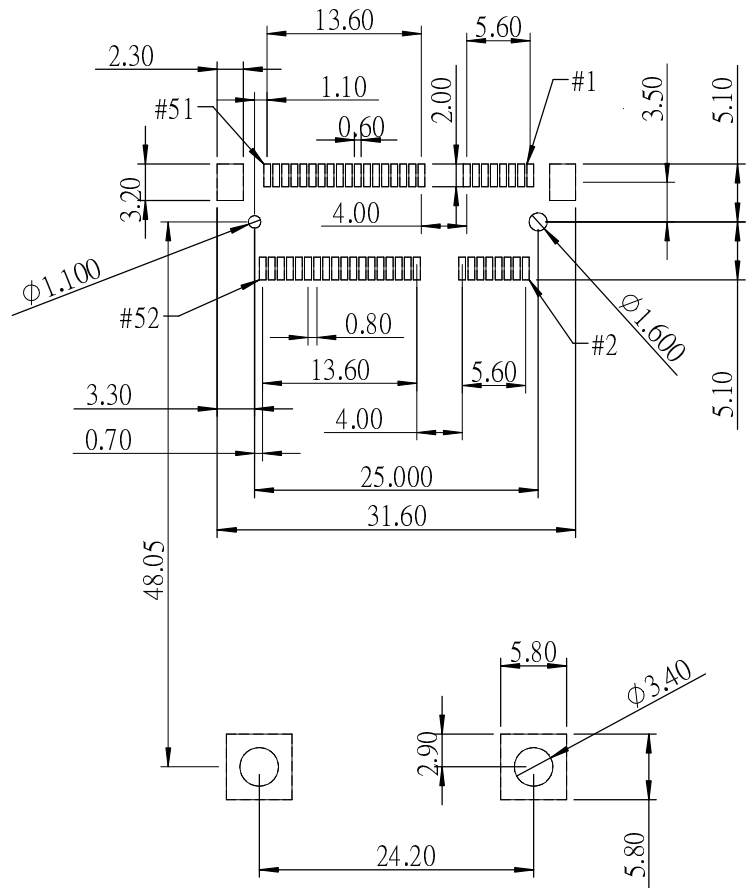
1  
2  
3

1  
2  
3

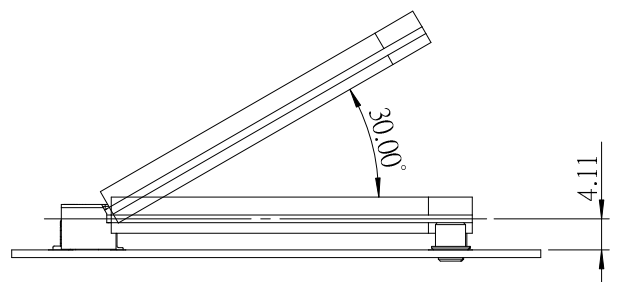


4  
5

4  
5



ITEM	PART NO.	NAME
1	0710A0BA60B	BODY
2	071CAAZ60B	HARDWARE



6  
7

6  
7

PCB LAYOUT

				GENERAL TOLERANCE		DRAW:	PART NO:
				X. ±0.30	X.° ±2.00°	OLIVE	0711A0BA60B
				X ±0.20	.X' ±1.00'	CHECKED:	TITLE:
C	E080111A	Roy	04/26/2008	.XX ±0.10	.XX' ±0.50'		MINI PCI EXPRESS ASSEMBLY
				.XXX ±0.05		APPROVE:	DRAWING NO:
B	E060106A	WES	06/30/2006	UNITS: mm	SHEET: 1 / 1		0711A0BA60B
REV.	ECO NO.	DESCRIPTION	DATE	 <b>CONCRAFT</b> DRAGONSTATE TECHNOLOGY CO., LTD			
MATERIAL:	FINISH:	DATE:	REV. A				
			11 / 15 / 2005				

A B C D E F

8

8