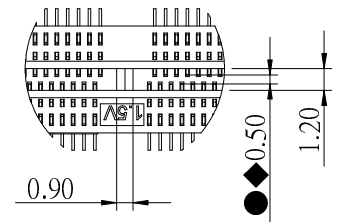
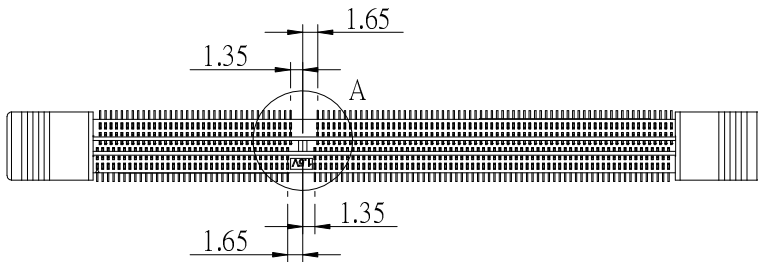
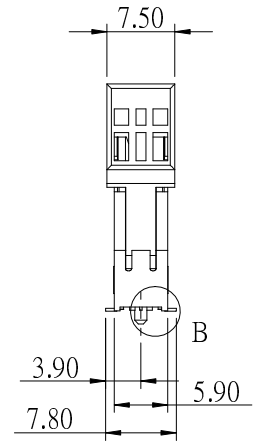
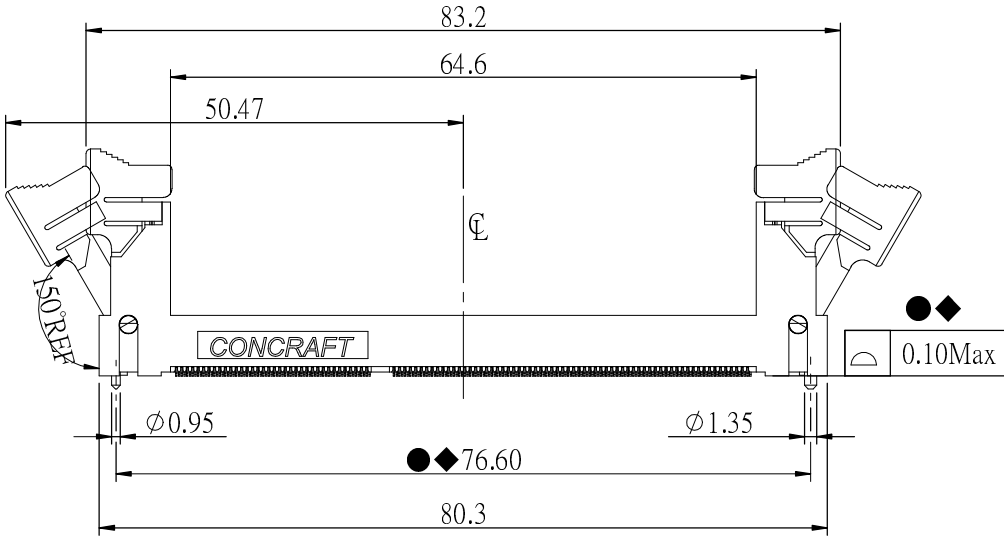


A B C D E F

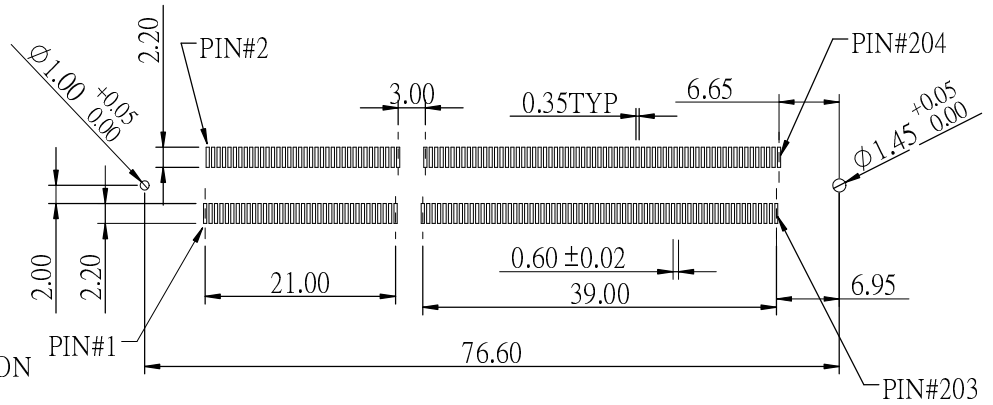
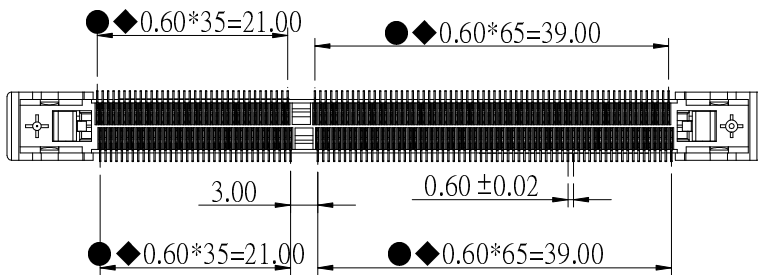
1 2 3 4 5 6 7 8



A (2.4 : 1)



B (6 : 1)

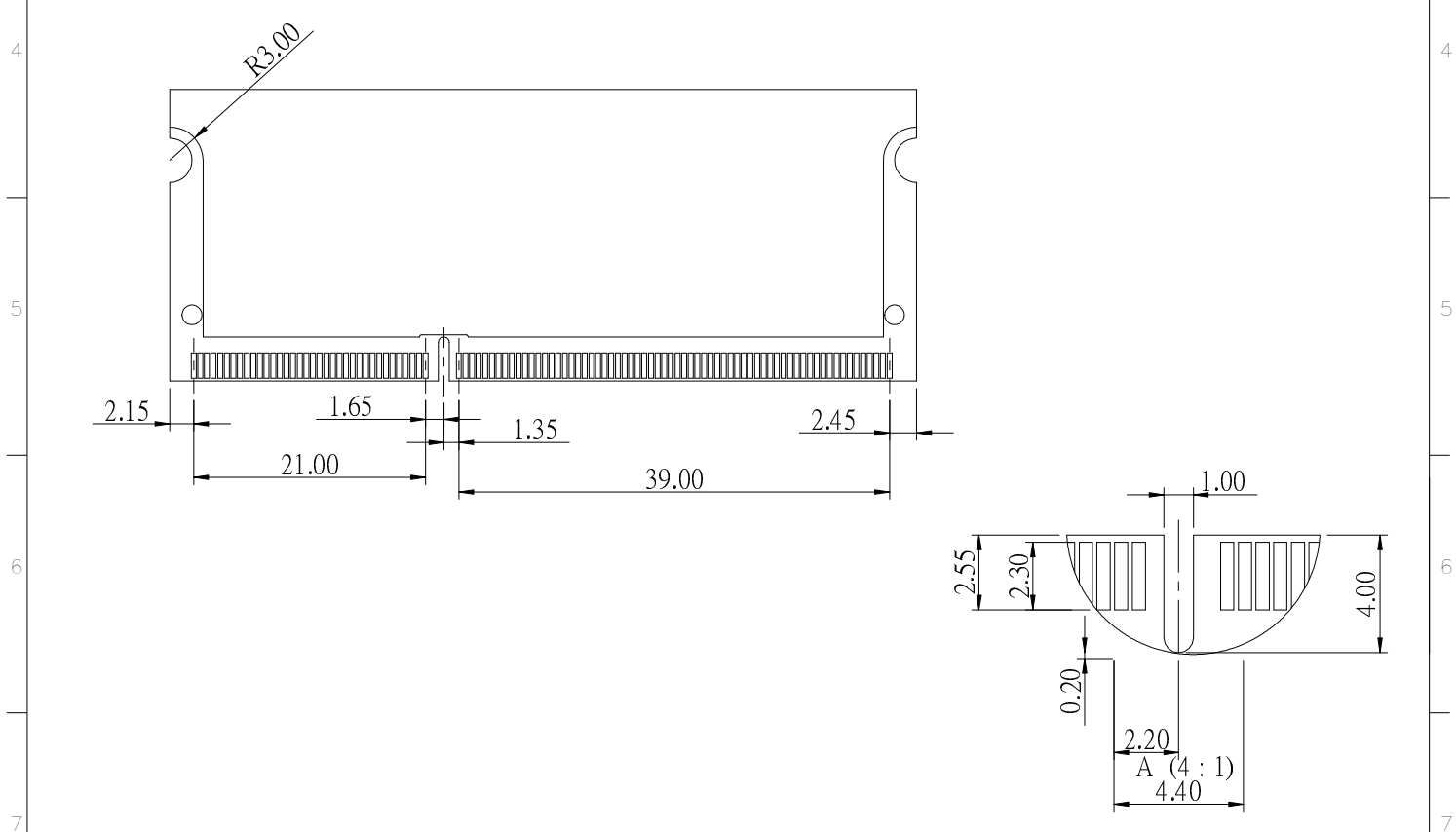
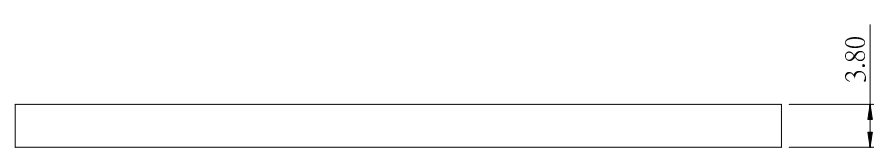
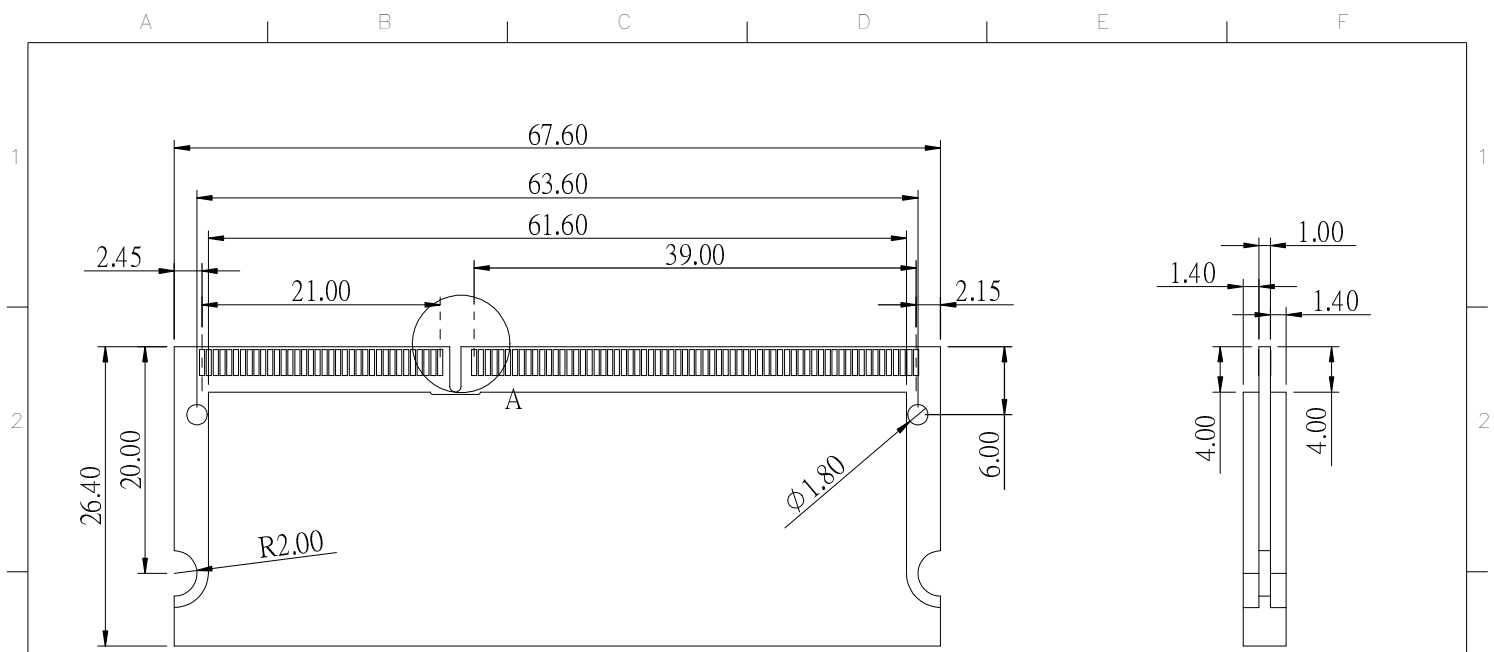


NOTE:  
 1. INSPECTION SYMBOL:  
 ● : MANUFACTURER INSPECTION  
 ◆ : Q.C INSPECTION  
 2. HSF CONCRAFT LEVEL 1

PCB LAYOUT

				GENERAL TOLERANCE		DRAW: Caiyu	PART NO: 115A3B1AAAA
				X. ±0.30	X." ± 2.00'	CHECKED:	TITLE: VERTICAL DDR CONNECTOR-1.5V
				.X ±0.20	.X" ± 1.00'		
				.XX ±0.10	.XX" ± 0.50'		
				.XXX ±0.05		APPROVE: Ting	DRAWING NO: 115A3B1AAAA
A	E090061A	Caiyu	03/16/2009	UNITS: mm	SHEET: 1 / 2		
REV.	ECO NO.	DRAW	DATE				
MATERIAL:	FINISH:	DATE: 12/17/2008	REV. A				

A B C D E F



				GENERAL TOLERANCE		DRAW:	PART NO:
				X. ±0.30	X.° ±2.00'	Caiyu	115A3B1AAAA
				.X ±0.20	.X' ±1.00'	CHECKED:	TITLE:
				.XX ±0.10	.XX' ±0.50'		VERTICAL DDR CONNECTOR-1.5V
				.XXX ±0.05		APPROVE:	DRAWING NO:
A	E090061A	Caiyu	03/16/2009	UNITS: mm	SHEET: 2/2	<b>Ting</b>	115A3B1AAAA
REV.	ECO NO.	DRAW	DATE			 <b>CONCRAFT</b> <i>DRAGONSTATE TECHNOLOGY CO., LTD</i>	
MATERIAL:	FINISH:	DATE:	REV.				
		12 /17 / 2008	A				

A | B | C | D | E | F