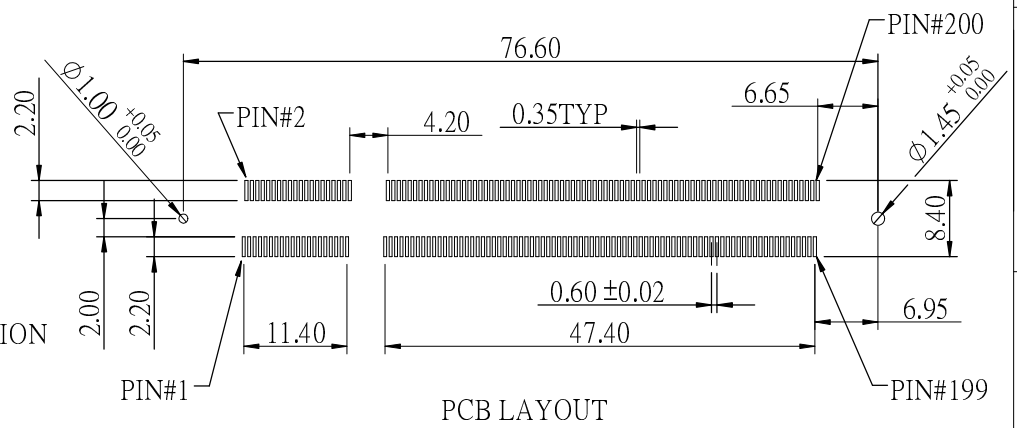
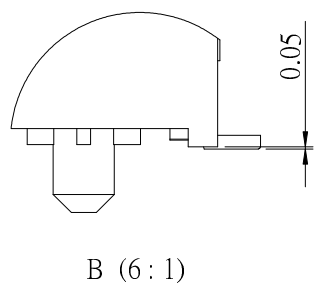
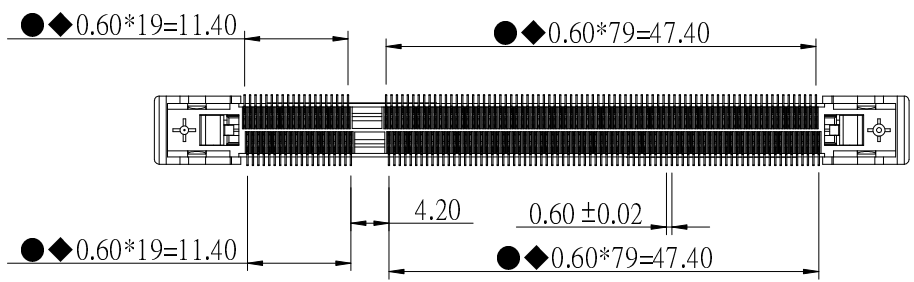
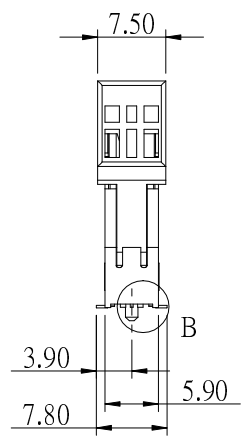
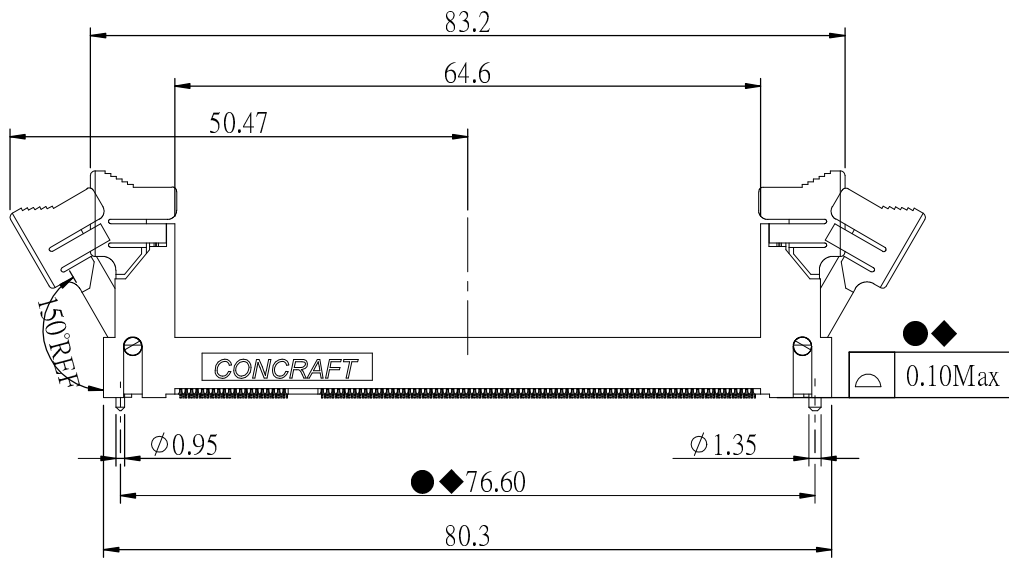
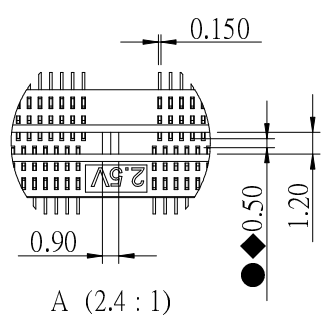
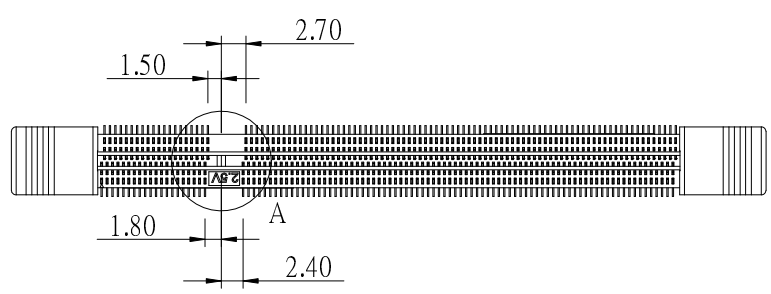


A B C D E F

1  
2  
3  
4  
5  
6  
7  
8



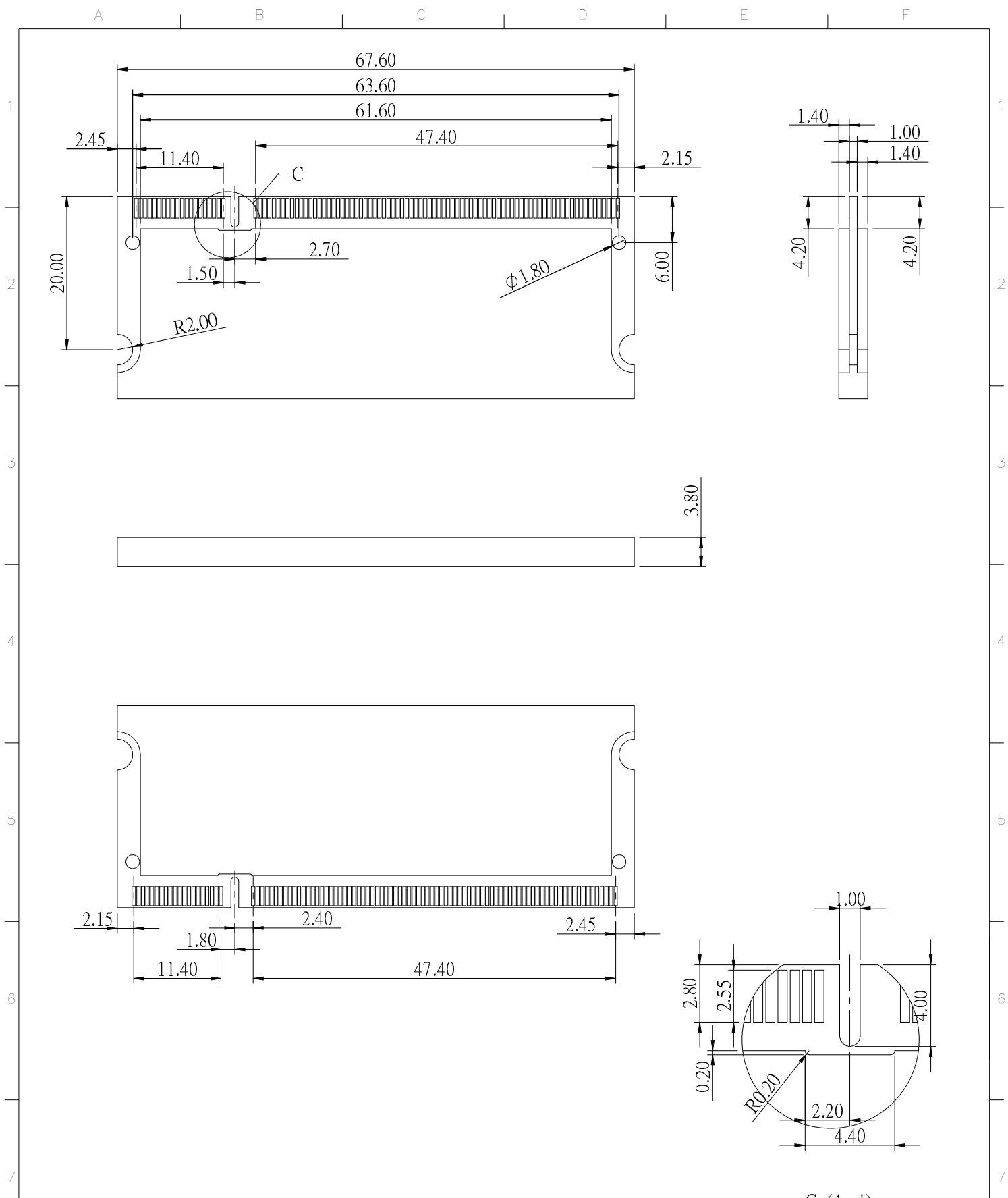
NOTE:  
1. INSPECTION SYMBOL:  
● : MANUFACTURER INSPECTION  
◆ : Q.C INSPECTION  
2. HSF CONCRAFT LEVEL 1

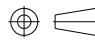

				GENERAL TOLERANCE		DRAW:	PART NO:
				X. ±0.30	X.' ± 2.00'	Caiyu	115A2B1AAAA
				.X ±0.20	.X' ± 1.00'	CHECKED:	TITLE:
				.XX ±0.10	.XX' ± 0.50'		VERTICAL DDR CONNECTOR-2.5V
				.XXX ±0.05		APPROVE:	DRAWING NO:
B	E090061A	Caiyu	03/16/2009	UNITS: mm	SHEET: 1 / 2	Ting	115A2B1AAAA

REV.	ECO NO.	DESCRIPTION	DATE	⊕
MATERIAL:	FINISH:	DATE:	06/15/2008	REV. A



A B C D E F



				GENERAL TOLERANCE		DRAW:	PART NO:
				X. ±0.30	X.° ±2.00°	Caiyu	115A2B1AAAA
				.X ±0.20	.X° ±1.00°	CHECKED:	TITLE:
				.XX ±0.10	.XX° ±0.50°		VERTICAL DDR CONNECTOR-2.5V
				.XXX ±0.05		APPROVE:	DRAWING NO:
B	E090061A	Caiyu	03/16/2009	UNITS: mm	SHEET: 2/2	<b>Ting</b>	115A2B1AAAA
REV.	ECO NO.	DESCRIPTION	DATE			 <b>CONCRAFT</b> <i>DRAGONSTATE TECHNOLOGY CO., LTD</i>	
MATERIAL:	FINISH:	DATE:	REV.				
		06 / 15 / 2008	A				

A | B | C | D | E | F