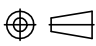


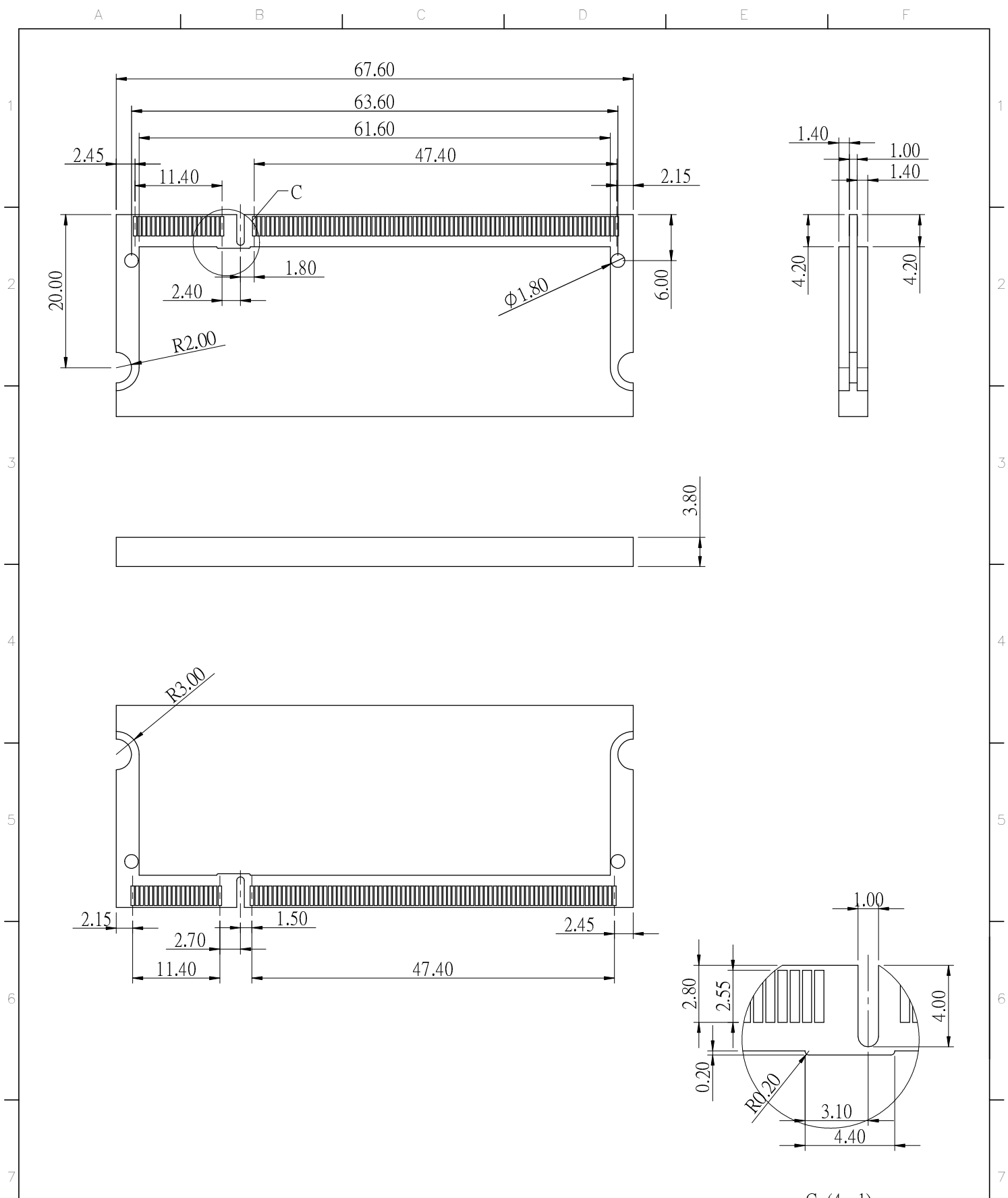


NOTE:
 1. INSPECTION SYMBOL:
 ● : MANUFACTURER INSPECTION
 ◆ : Q.C INSPECTION
 2. HSF CONCRRAFT LEVEL 1

PCB LAYOUT

				GENERAL TOLERANCE		DRAW:	PART NO:
				X. ± 0.30	X.' $\pm 2.00'$	andrew	115A1B1AAAA
D	E090061A	Caiyu	03/16/2009	X ± 0.20	.X' $\pm 1.00'$	CHECKED:	TITLE:
C	E080345A	Caiyu	10/30/2008	.XX ± 0.10	.XX' $\pm 0.50'$		VERTICAL DDR CONNECTOR-1.8V
B	E080177A	Caiyu	06/30/2008	.XXX ± 0.05		APPROVE:	DRAWING NO:
				UNITS: mm	SHEET: 1 / 2	Ting	115A1B1AAAA
REV.	ECO NO.	DRAW	DATE			 CONCRRAFT	
MATERIAL:	FINISH:	DATE:	REV.				
		04/25/2008	A				



				GENERAL TOLERANCE		DRAW:	PART NO:
				X. ±0.30	X.' ±2.00'	andrew	115A1B1AAAA
D	E090061A	Caiyu	03/16/2009	X ±0.20	.X' ±1.00'	CHECKED:	TITLE:
C	E080345A	Caiyu	10/30/2008	.XX ±0.10	.XX' ±0.50'		VERTICAL DDR CONNECTOR-1.8V
B	E080177A	Caiyu	06/30/2008	.XXX ±0.05		APPROVE:	DRAWING NO:
				UNITS: mm	SHEET: 2/2	Ting	115A1B1AAAA
REV.	ECO NO.	DRAW	DATE				
MATERIAL:		FINISH:	DATE: 04 / 25 / 2008	REV. A			