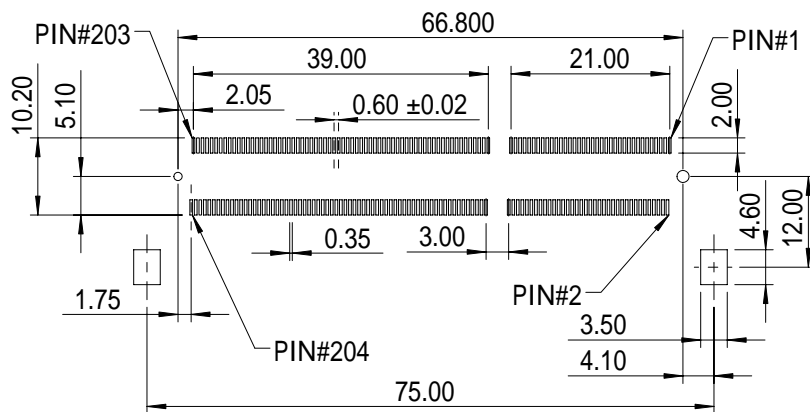
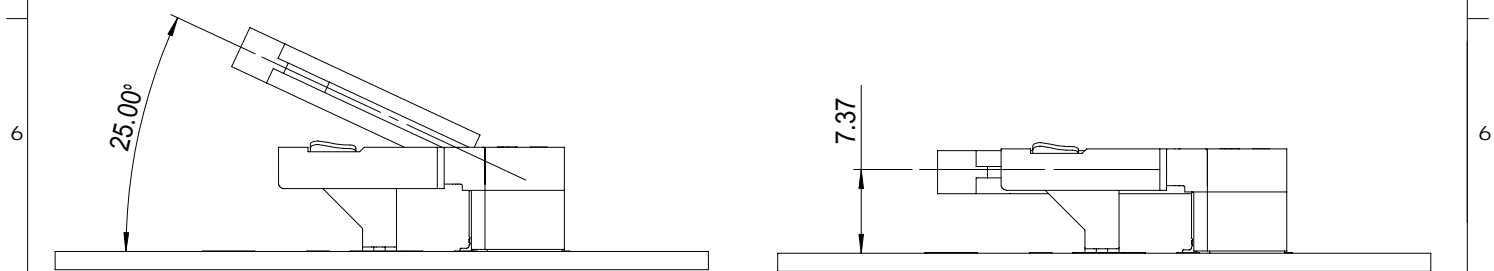
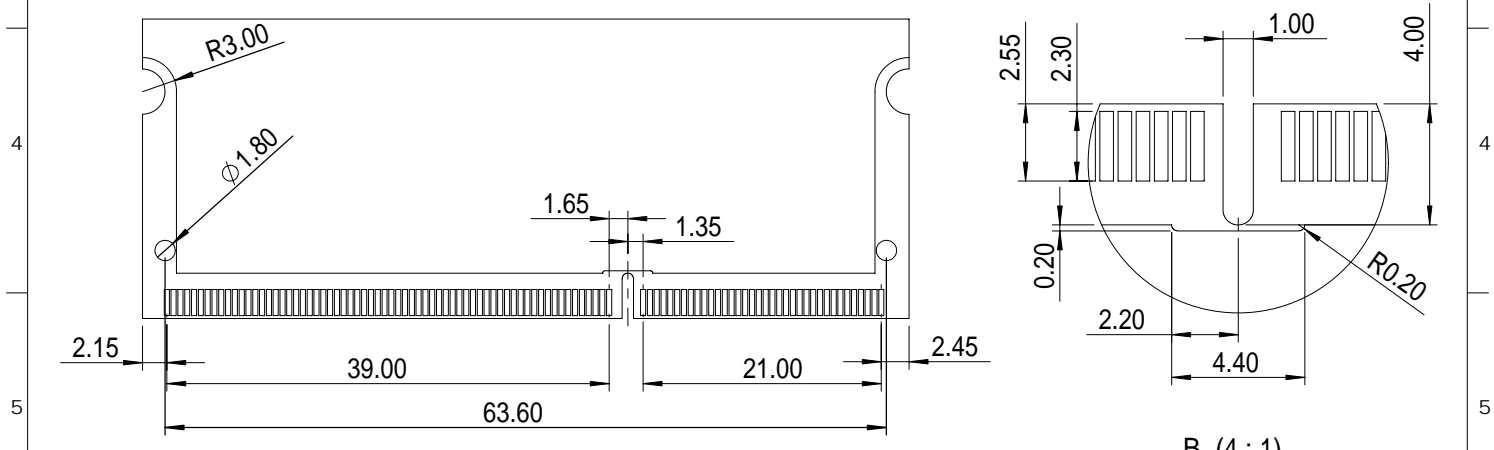
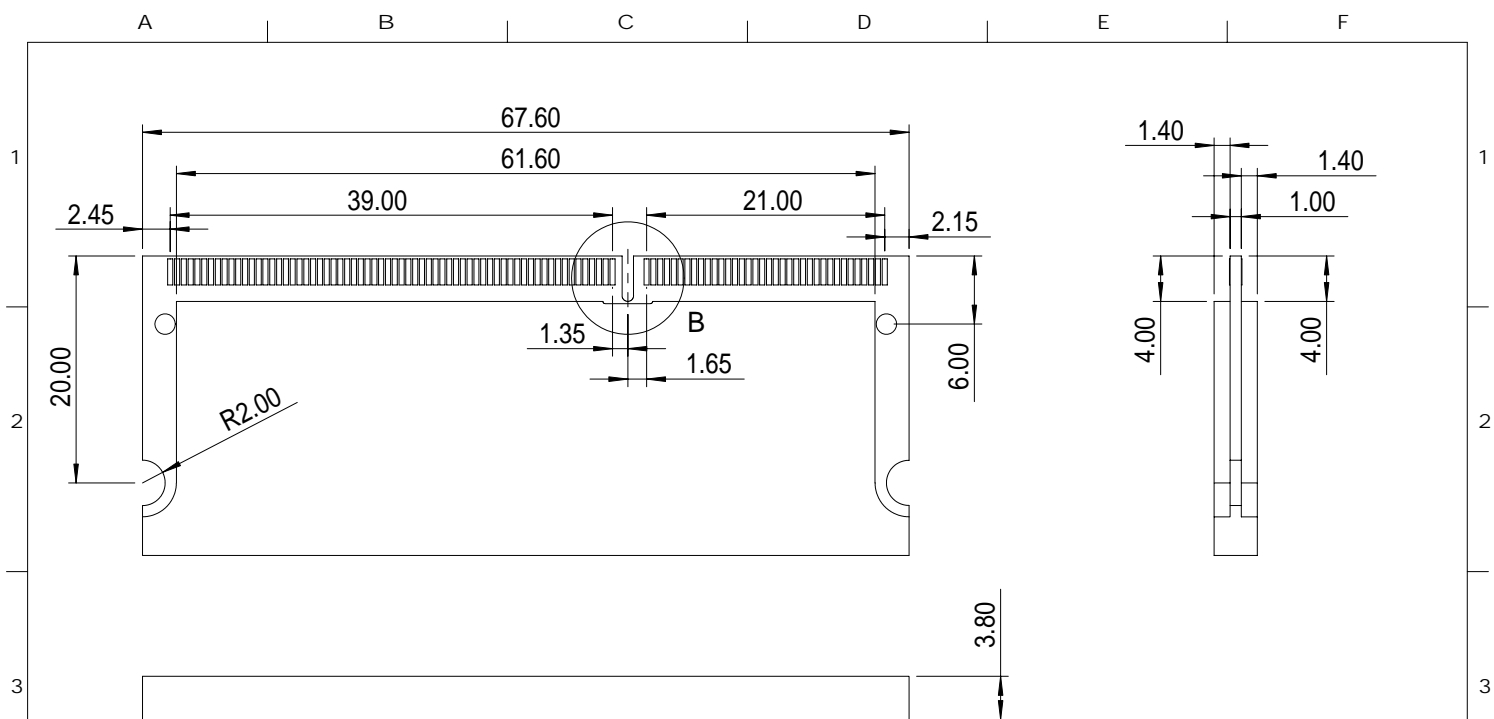


NOTE:

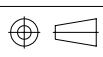
1. SOLDER TAIL TO BE WITHIN 0.05 UPWARD AND 0.2 DOWNWARD FROM Z-DATUM PLACE, AND COPLANALITY OF SOLDER TAILS TO BE WITHIN 0.10. MEASUREMENT POINT IS SOLDER TAIL TIP.
2. INSPECTION SYMBOL:
 : MANUFACTURER INSPECTION
 : Q.C INSPECTION
3. ACCORDING HSF CONCRAFT LEVEL 1



				GENERAL TOLERANCE		DRAW: Roy	PART NO: 0705A1BE92E
				X. ±0.30	X.° ± 2.00°	CHECKED:	TITLE: DDR S.O. DIMM 204P ASSEMBLY
				.X ±0.20	.X° ± 1.00°	APPROVE: SEGA	DRAWING NO: 0705A1BE92E
				.XX ±0.10	.XX° ± 0.50°		
				.XXX ±0.05			
				UNITS: mm	SHEET: 1 / 3		
REV.	ECO NO.	DRAW	DATE	 CONCRAFT DRAGONSTATE TECHNOLOGY CO., LTD			
MATERIAL:	FINISH:	DATE: 08 / 20 / 2008	REV. A				



				GENERAL TOLERANCE		DRAW: Roy	PART NO: 0705A1BE92E
				X. ±0.30	X.° ± 2.00°	CHECKED:	TITLE: DDR S.O. DIMM 204P ASSEMBLY
				.X ±0.20	.X.° ± 1.00°		
				.XX ±0.10	.XX.° ± 0.50°	APPROVE: SEGA	DRAWING NO: 0705A1BE92E
				.XXX ±0.05			
				UNITS: mm	SHEET: 2 / 3		

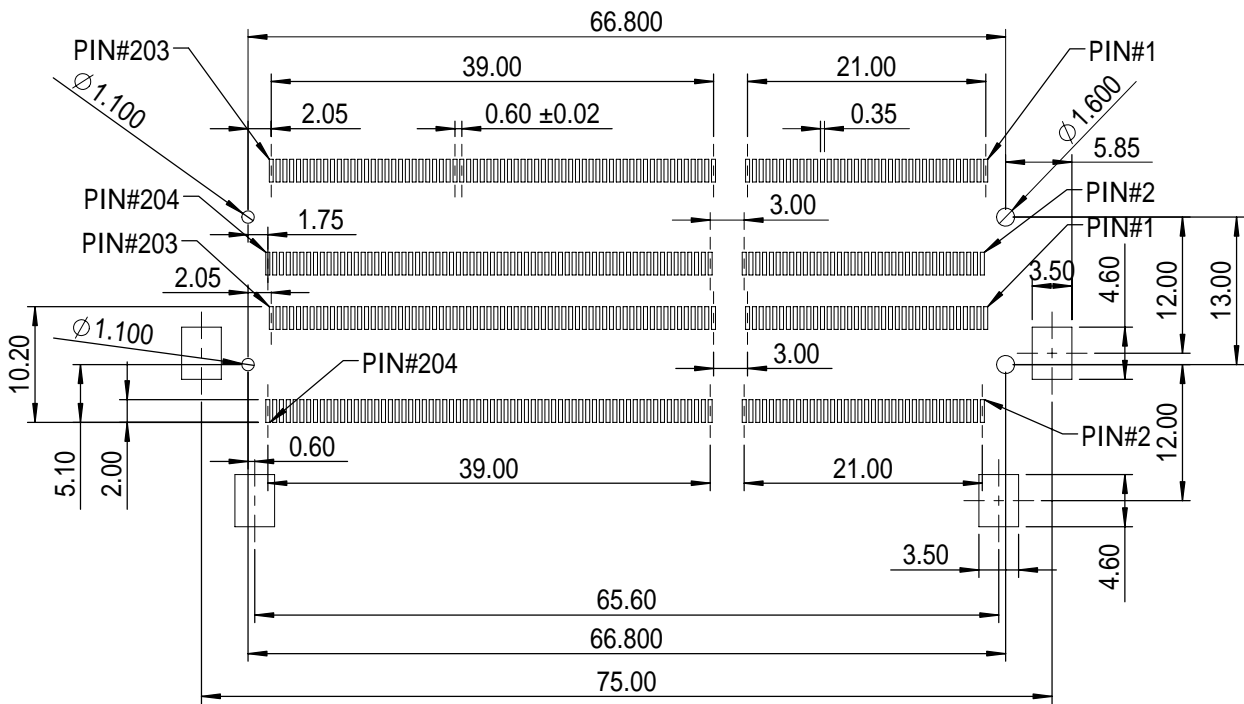
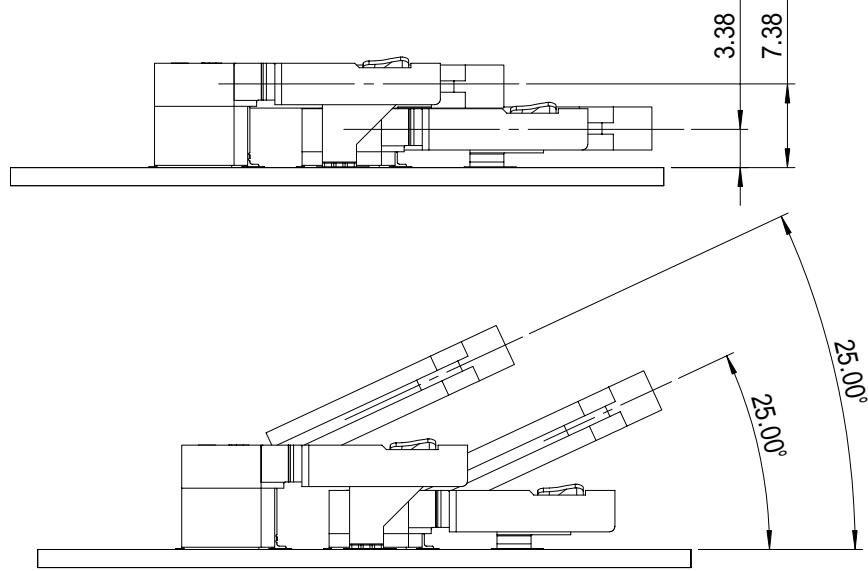
REV.	ECO NO.	DRAW	DATE	
MATERIAL:	FINISH:	DATE: 08 / 20 / 2008	REV. A	



CONCRAFT
 DRAGONSTATE TECHNOLOGY CO., LTD

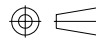
A B C D E F

DDR S.O. DIMM 204P 5.2&9.2 OVERLAY FIGURE



PCB LAYOUT : COMPONENT SIDE(5.2&9.2TYPE)

				GENERAL TOLERANCE		DRAW: Roy	PART NO: 0705A1BE92E	
				X. ±0.30	X.° ± 2.00°	CHECKED:	TITLE: DDR S.O. DIMM 204P ASSEMBLY	
				.X ±0.20	.X° ± 1.00°		APPROVE: SEGA	DRAWING NO: 0705A1BE92E
				.XX ±0.10	.XX° ± 0.50°			
				UNITS: mm	SHEET: 3 / 3			

REV.	ECO NO.	DRAW	DATE	 REV. A
MATERIAL:	FINISH:	DATE:	08 / 20 / 2008	



CONCRAFT
 DRAGONSTATE TECHNOLOGY CO., LTD