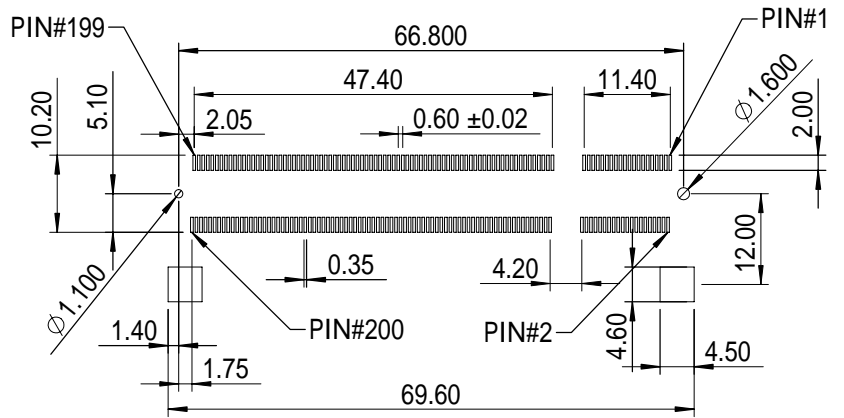


A-A (2 : 1)

NOTE:

1. SOLDER TAIL TO BE WITHIN 0.05 UPWARD AND 0.2 DOWNWARD FROM Z-DATUM PLACE, AND COPLANALITY OF SOLDER TAILS TO BE WITHIN 0.10
MEASUREMENT POINT IS SOLDER TAILS TIP.
2. INSPECTION SYMBOL:
 : MANUFACTURER INSPECTION
 : Q.C INSPECTION

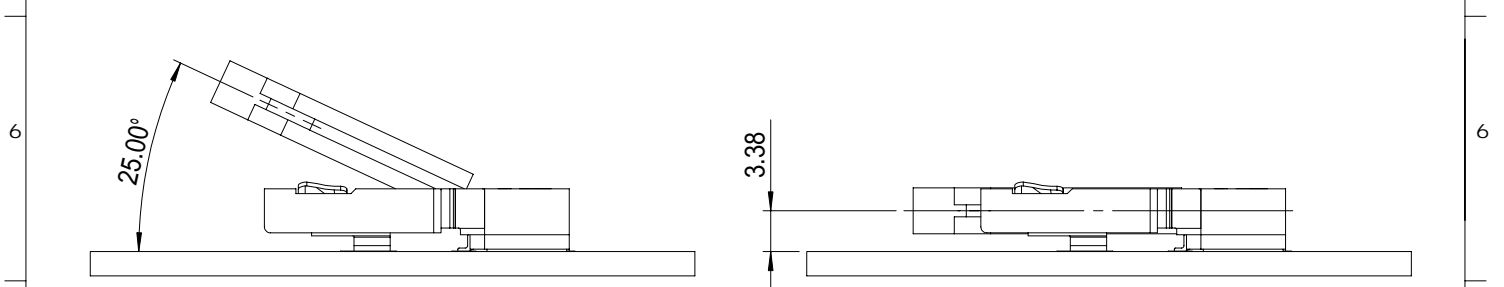
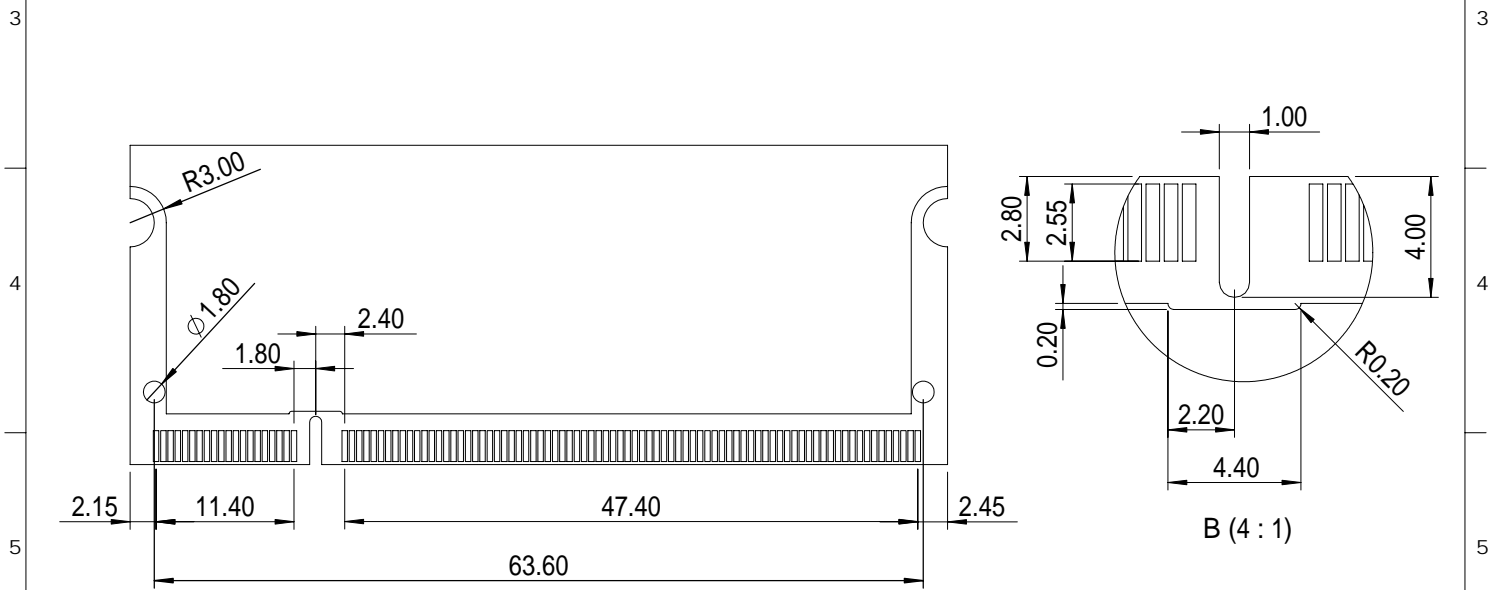
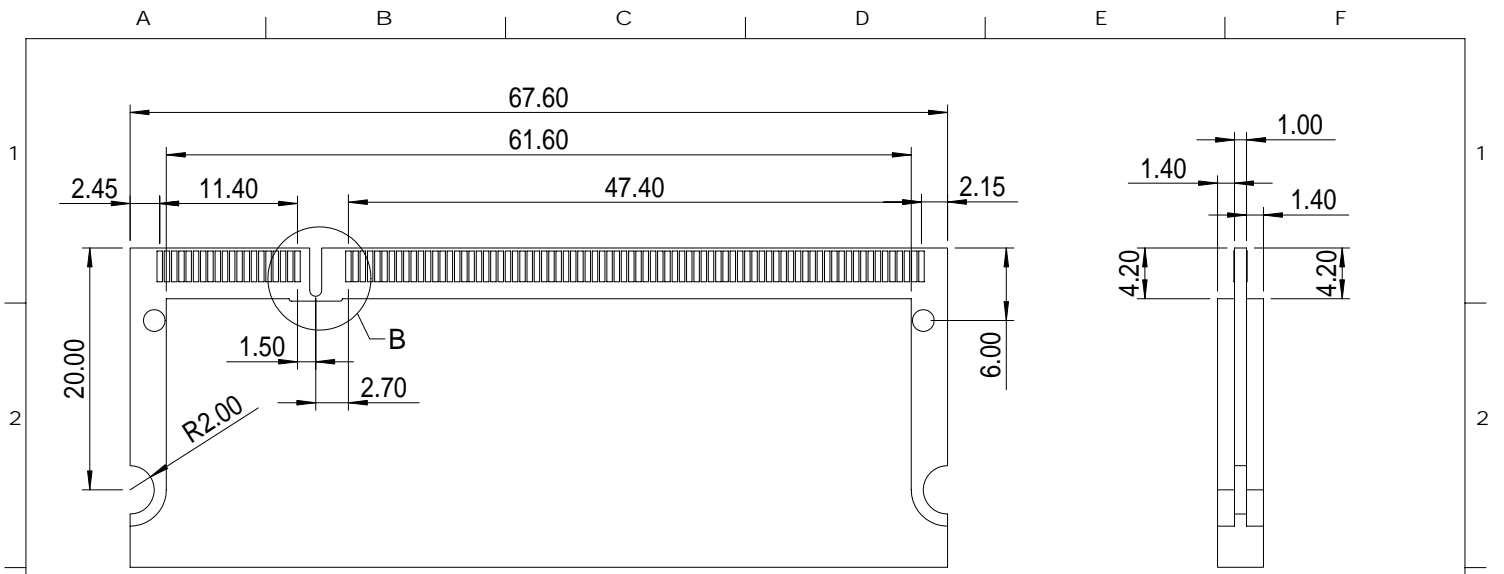


PCB LAYOUT : COMPONENT SIDE

				GENERAL TOLERANCE		DRAW: Roy	PART NO: 0703A1BE52E	
				X. ±0.30	X° ± 2.00°	CHECKED:	TITLE: DDR S.O. DIMM 200P ASSEMBLY	
				.X ±0.20	.X° ± 1.00°		APPROVE: SEGA	DRAWING NO: 0703A1BE52E
				.XX ±0.10	.XX° ± 0.50°			
				UNITS: mm	SHEET: 1 / 3			

REV.	ECO NO.	DESCRIPTION	DATE	
MATERIAL:	FINISH:	DATE:	03 / 19 / 2008	

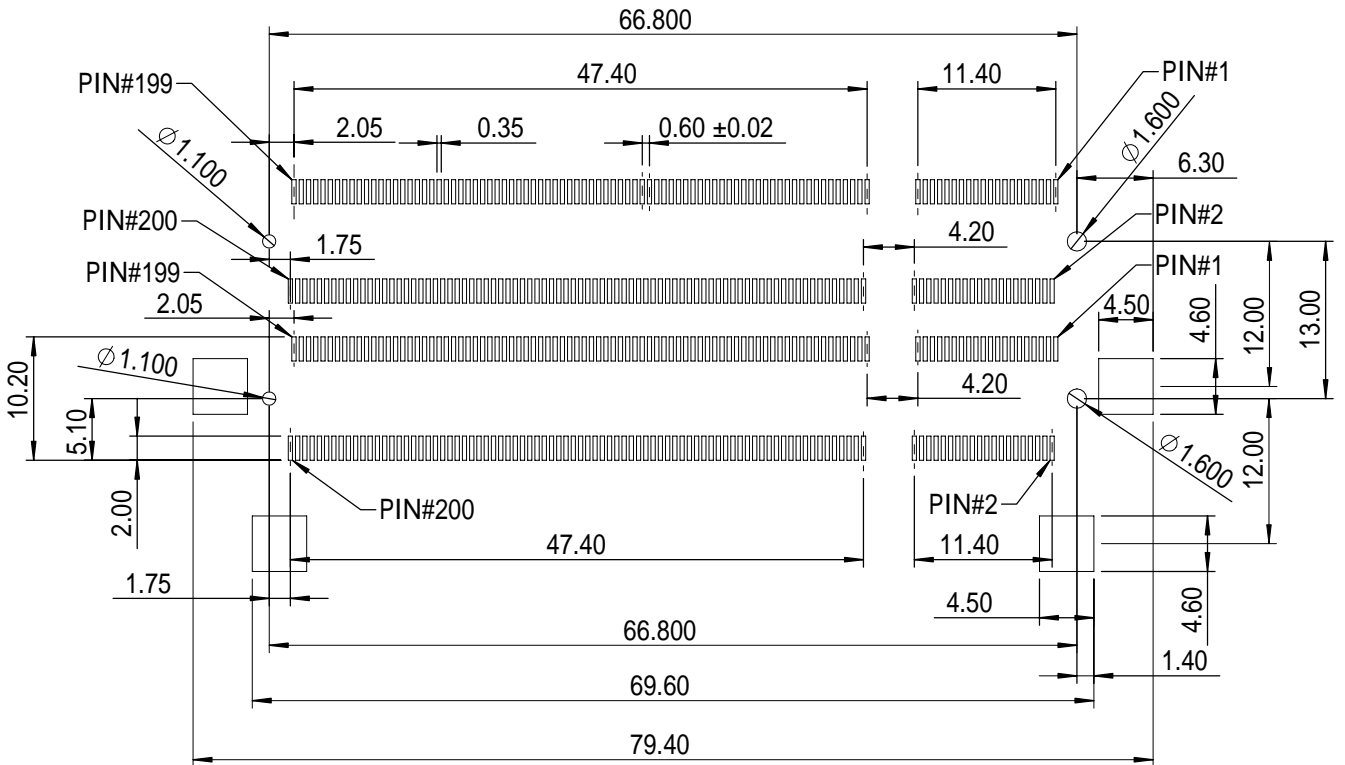
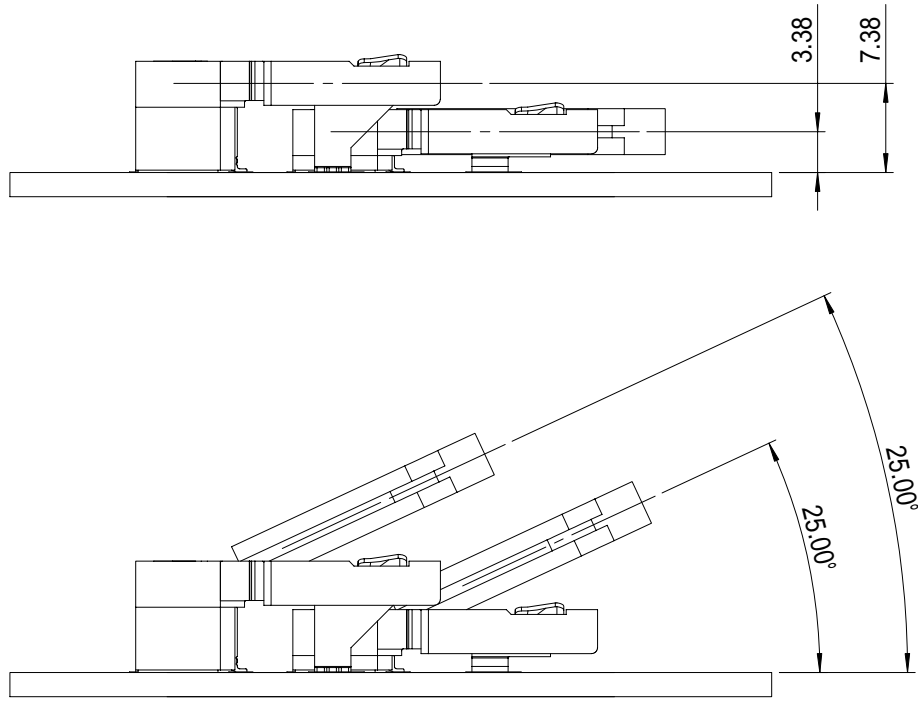
CONCRAFT
 DRAGONSTATE TECHNOLOGY CO., LTD



				GENERAL TOLERANCE		DRAW: Roy	PART NO: 0703A1BE52E	
				X. ±0.30	X.° ± 2.00°	CHECKED:	TITLE: DDR S.O. DIMM 200P ASSEMBLY	
				.X ±0.20	.X.° ± 1.00°		APPROVE: SEGA	DRAWING NO: 0703A1BE52E
				.XX ±0.10	.XX.° ± 0.50°			
				.XXX ±0.05				
				UNITS: mm	SHEET: 2 / 3			

REV.	ECO NO.	DESCRIPTION	DATE			DRAGONSTATE TECHNOLOGY CO., LTD
MATERIAL:	FINISH:	DATE: 03 / 19 / 2008	REV. A			

DDR S.O.DIMM 200P 5.2&9.2 OVERLAY FIGURE



PCB LAYOUT : COMPONENT SIDE(5.2&9.2TYPE)

				GENERAL TOLERANCE		DRAW: Roy	PART NO: 0703A1BE52E	
				X. ±0.30	X.° ± 2.00°	CHECKED:	TITLE: DDR S.O. DIMM 200P ASSEMBLY	
				.X ±0.20	.X° ± 1.00°		APPROVE: SEGA	DRAWING NO: 0703A1BE52E
				.XX ±0.10	.XX° ± 0.50°			
				UNITS: mm	SHEET: 3/3			

REV.	ECO NO.	DESCRIPTION	DATE	
MATERIAL:	FINISH:	DATE: 03/19/2008	REV. A	

CONCRAFT
 DRAGONSTATE TECHNOLOGY CO., LTD