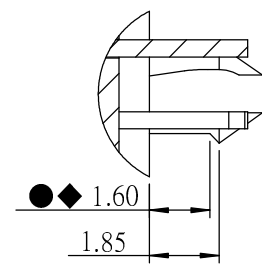
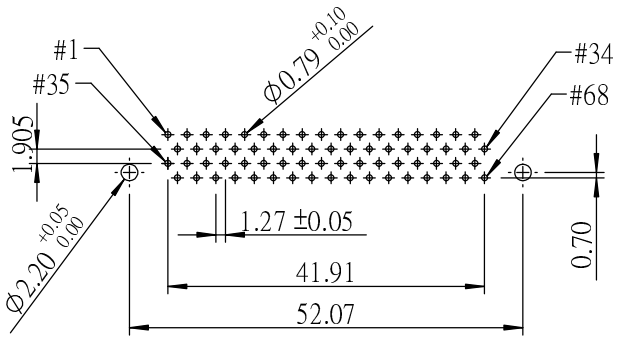


A-A



B (5 : 1)

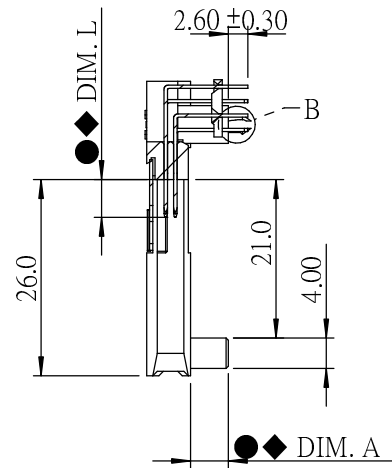
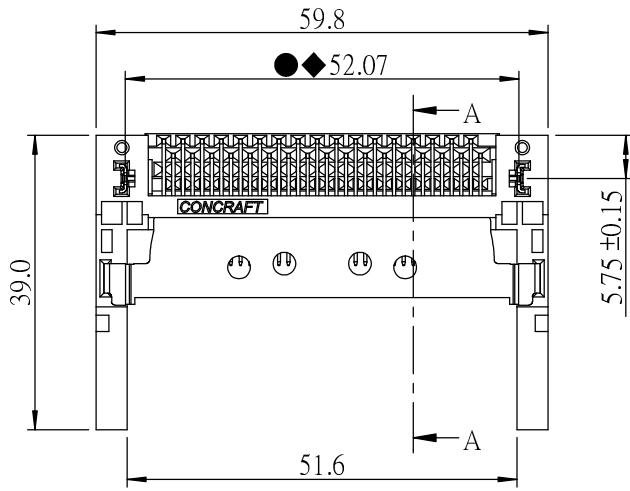
PCB LAYOUT : COMPONENT SIDE

|                 |               |
|-----------------|---------------|
| PART NO.        | DIM. A ± 0.20 |
| A01C5A0050L1P00 | 5.00          |

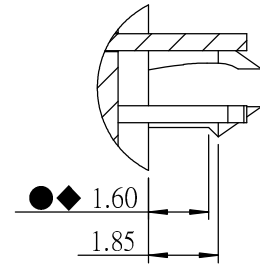
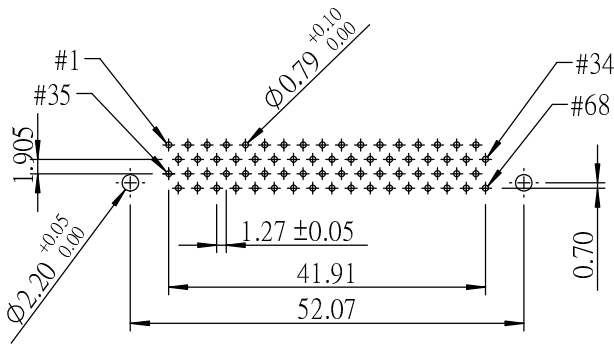
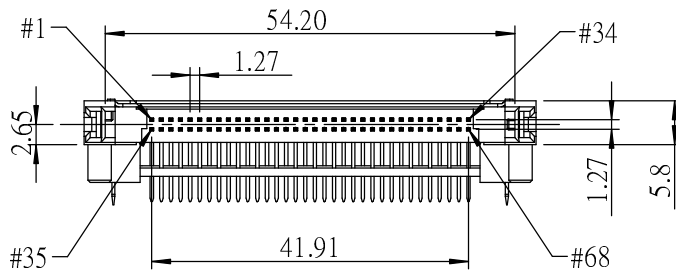
- NOTE:
- INSPECTION SYMBOL:  
 ● : MANUFACTURER INSPECTION  
 ◆ : Q.C INSPECTION
  - PLEASE REFER TO TABLE 1 FOR TERMINAL LENGTH.
  - VOLTAGE 3.3V
  - HSF CONCRAFT LEVEL 1

| PIN TYPE | DIM. L ± 0.20 | PIN NUMBER            |
|----------|---------------|-----------------------|
| DETECT   | 3.50 mm       | 36 , 67               |
| GENERAL  | 4.25 mm       | THE REST              |
| POWER    | 5.00 mm       | 1, 17, 34, 35, 51, 68 |

|           |          |        |            |                   |                |          |                    |
|-----------|----------|--------|------------|-------------------|----------------|----------|--------------------|
|           |          |        |            | GENERAL TOLERANCE |                | DRAW:    | PART NO:           |
|           |          |        |            | X. ± 0.30         | X.' ± 2.00'    | PAT      | A01C5A00 □ □ L1P00 |
| D         | E080222A | Tony   | 07/30/2008 | X ± 0.20          | .X' ± 1.00'    | CHECKED: | TITLE:             |
| C         | E080001A | Tony   | 01/05/2008 | .XX ± 0.10        | .XX' ± 0.50'   |          | PCMCIA ASSEMBLY    |
| B         | E070057A | PAT    | 02/23/2007 | .XXX ± 0.05       | DATE:          | APPROVE: | DRAWING NO:        |
|           |          |        |            | UNITS: mm         | 10 / 23 / 2006 |          | A01C5A00 □ □ L1P00 |
| REV.      | ECO NO.  | DRAW.  | DATE       |                   |                |          |                    |
| MATERIAL: | FINISH:  | SCALE: | SHEET:     | REV.              |                |          |                    |
|           |          | 1 / 1  | 1 / 2      | A                 |                |          |                    |



A-A



B (5 : 1)


PCB LAYOUT : COMPONENT SIDE

NOTE:

- INSPECTION SYMBOL:  
 ● : MANUFACTURER INSPECTION  
 ◆ : Q.C INSPECTION
- PLEASE REFER TO TABLE 1 FOR TERMINAL LENGTH.
- VOLTAGE 3.3V
- HSF CONCRAFT LEVEL 1

| PIN TYPE | DIM. L ±0.20 | PIN NUMBER            |
|----------|--------------|-----------------------|
| DETECT   | 3.50 mm      | 36 , 67               |
| GENERAL  | 4.25 mm      | THE REST              |
| POWER    | 5.00 mm      | 1, 17, 34, 35, 51, 68 |

| PART NO.        | DIM. A ±0.20 |
|-----------------|--------------|
| A01C5A0045L1P00 | 4.50         |

|           |          |               |               | GENERAL TOLERANCE |   | DRAW:    | PART NO:                          |
|-----------|----------|---------------|---------------|-------------------|---|----------|-----------------------------------|
| D         | E080222A | Tony          | 07/30/2008    | X. ±0.30          | X.' ± 2.00'   | PAT      | A01C5A00 □ □ L1P00                |
| C         | E080001A | Tony          | 01/05/2008    | X ±0.20           | .X' ± 1.00'   | CHECKED: | TITLE:<br>PCMCIA ASSEMBLY         |
| B         | E070057A | PAT           | 02/23/2007    | .XX ±0.10         | .XX' ± 0.50'  | APPROVE: | DRAWING NO:<br>A01C5A00 □ □ L1P00 |
|           |          |               |               | .XXX ±0.05        | DATE:<br>10 / 23 / 2006   |          |                                   |
| REV.      | ECO NO.  | DRAW.         | DATE          | UNITS:<br>mm      |   |          |                                   |
| MATERIAL: | FINISH:  | SCALE:<br>1/1 | SHEET:<br>2/2 | REV.<br>A         |  <b>CONCRAFT</b><br>DRAGONSTATE TECHNOLOGY CO., LTD |          |                                   |