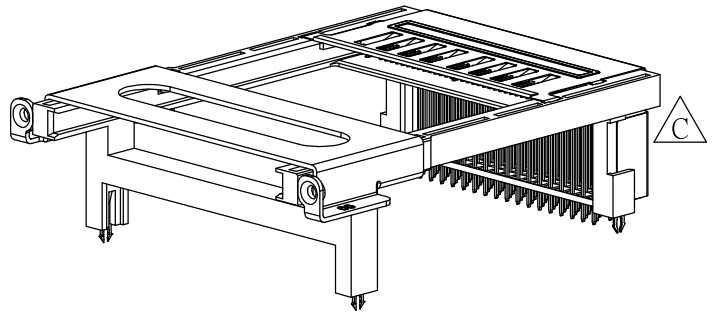
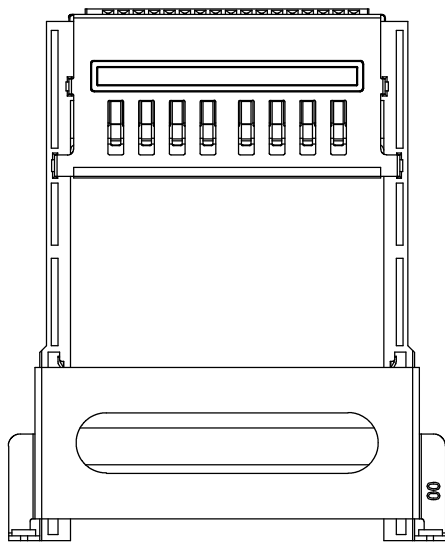


NOTE:

- INSPECTION SYMBOL:
 ● : MANUFACTURER INSPECTION
 ◆ : Q.C INSPECTION
- PLEASE REFER TO TABLE 1 FOR TERMINAL LENGTH.
 TABLE 1

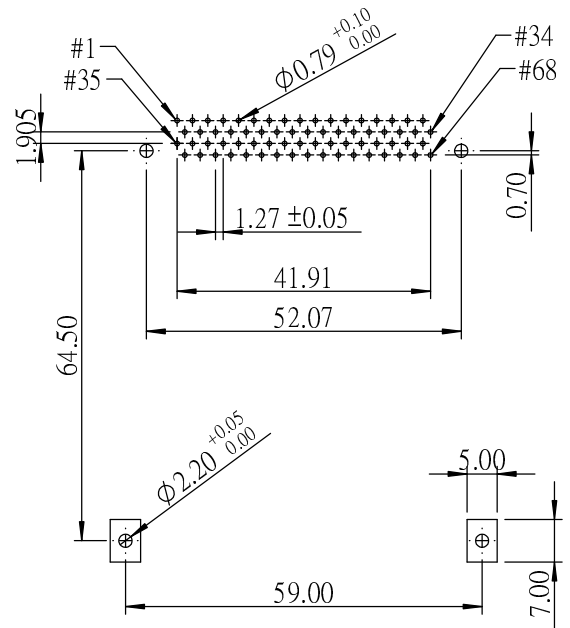
PIN TYPE	DIM. L ±0.20	PIN NUMBER
DETECT	3.50 mm	36 , 67
GENERAL	4.25 mm	THE REST
POWER	5.00 mm	1, 17, 34, 35, 51, 68

				GENERAL TOLERANCE		DRAW:	PART NO:
				X. ±0.30	X.' ± 2.00'	Tony	A51C5B00ABRFS21
				.X ±0.20	.X' ± 1.00'	CHECKED:	TITLE:
C	E090106A	Fancy	04/18/2009	.XX ±0.10	.XX' ± 0.50'		PCMCIA ASSEMBLY
				.XXX ±0.05		APPROVE:	DRAWING NO:
B	E080174A	Tony	06/13/2008	UNITS: mm	DATE: 12 / 24 / 2008		A51C5B00ABRFS21
REV.	ECO NO.	DRAW.	DATE				
MATERIAL:	FINISH:	SCALE: 0.8 / 1	SHEET: 1 / 2	REV. A			




NOTES:

1. MATERIAL:
 - HOUSING: G.F. THERMOPLASTIC UL94V-0, BLACK.
 - GUIDER: G.F. THERMOPLASTIC UL94V-0, BLACK.
 - TERMINAL: COPPER ALLOY.
 - BOARD LOCK: COPPER ALLOY.
 - SHELL: SPCC.
 - EMI/ESD CONTACT: COPPER ALLOY.
- 1.1 PLATING:
 - TERMINAL: GOLD 15u" ON CONTACT AREA
 - TIN 100u" Min. PLATING ON SOLDER AREA.
 - OVERALL Ni 50u" Min. UNDER PLATING.
 - BOARD LOCK: TIN 100u" Min. PLATING OVERALL
 - OVERALL Ni 50u" Min. UNDER PLATING.
 - EMI/SSD CONTACT: GOLD 3u" ON CONTACT AREA
 - OVERALL Ni 50u" Min. UNDER PLATING.
2. MECHANICAL SPEC:
 - (A) TOTAL INSERTION FORCE
 - STANDARD: 39.2 N Max
 - (B) TOTAL PULLING FORCE
 - STANDARD: 6.67 N Min. and 39.2 N Max
3. ELECTRICAL SPEC:
 - (A) THE SOCKET IS FOR 3.3V PC CARD ONLY.
 - (B) CONTACT RESISTANCE
 - STANDARD: 40 mΩ Max
 - (C) WITHSTANDING VOLTAEG
 - STANDARD: Current leakage 1.0 mA Max
 - (D) INSULATION RESISTANCE
 - STANDARD: 1000 MΩ Min
4. HSF CONCRRAFT LEVEL 1
5. CONFORM TO PCMCIA CONNECTOR RELIABILITY STANDARD.



PCB LAYOUT : COMPONENT SIDE
PCB THK. 1.60+0.10

				GENERAL TOLERANCE		DRAW: Tony	PART NO: A51C5B00ABRFS21
				X. ±0.30	X' ± 2.00'	CHECKED:	TITLE: PCMCIA ASSEMBLY
				.X ±0.20	.X' ± 1.00'		
C	E090106A	Fancy	04/18/2009	.XX ±0.10	.XX' ± 0.50'	APPROVE:	DRAWING NO: A51C5B00ABRFS21
B	E080174A	Tony	06/13/2008	.XXX ±0.05			
REV.	ECO NO.	DRAW.	DATE	UNITS: mm	DATE: 04 / 21 / 2008		
MATERIAL:		FINISH:	SCALE: 0.8 / 1	SHEET: 2 / 2	REV. A	 CONCRAFT DRAGONSTATE TECHNOLOGY CO., LTD	
A	B	C	D	E	F		