

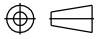

NOTE:

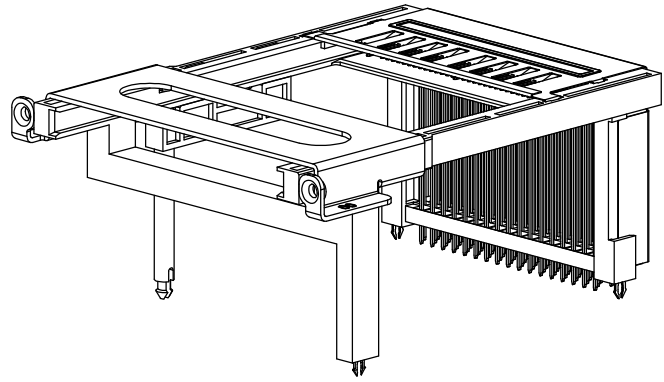
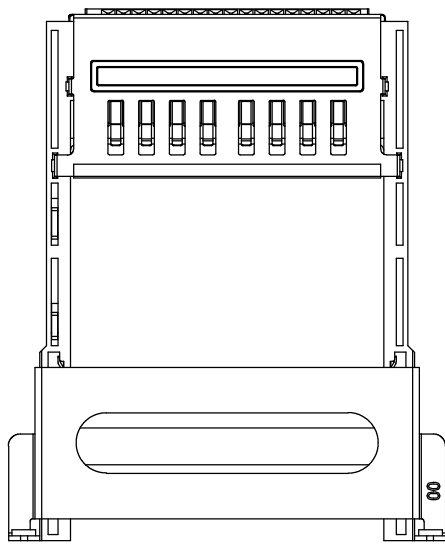
1. INSPECTION SYMBOL:

- : MANUFACTURER INSPECTION
- ◆ : Q.C INSPECTION

2. PLEASE REFER TO TABLE 1 FOR TERMINAL LENGTH.
TABLE 1

PIN TYPE	DIM. L ±0.20	PIN NUMBER
DETECT	3.50 mm	36 , 67
GENERAL	4.25 mm	THE REST
POWER	5.00 mm	1, 17, 34, 35, 51, 68

				GENERAL TOLERANCE		DRAW: Tony	PART NO: A51C5B00B9RFS21
				X. ±0.30	X' ± 2.00'	CHECKED:	TITLE: PCMCIA ASSEMBLY
				X ±0.20	.X' ± 1.00'		
				.XX ±0.10	.XX' ± 0.50'		
C	E090085A	Fancy	04/02/2009	.XXX ±0.05	APPROVE:	DRAWING NO: A51C5B00B9RFS21	
B	E080174A	Tony	06/13/2008	UNITS: mm	DATE: 06 / 11 / 2008		
REV.	ECO NO.	DRAW.	DATE			 CONCRAFT DRAGONSTATE TECHNOLOGY CO., LTD	
MATERIAL:	FINISH:	SCALE: 0.8 / 1	SHEET: 1 / 2	REV. A			



NOTES:

- 1. MATERIAL:
 - HOUSING: G.F. THERMOPLASTIC UL94V-0, BLACK.
 - GUIDER: G.F. THERMOPLASTIC UL94V-0, BLACK.
 - TERMINAL: COPPER ALLOY.
 - BOARD LOCK: COPPER ALLOY.
 - SHELL: SPCC.
 - EMI/ESD CONTACT: COPPER ALLOY.

1.1 PLATING:

- TERMINAL: GOLD 15u" ON CONTACT AREA
- TIN 100u" Min. PLATING ON SOLDER AREA.
- OVERALL Ni 50u" Min. UNDER PLATING.
- BOARD LOCK: TIN 100u" Min. PLATING OVERALL
- OVERALL Ni 50u" Min. UNDER PLATING.
- EMI/SSD CONTACT: GOLD 3u" ON CONTACT AREA
- OVERALL Ni 50u" Min. UNDER PLATING.

2. MECHANICAL SPEC:

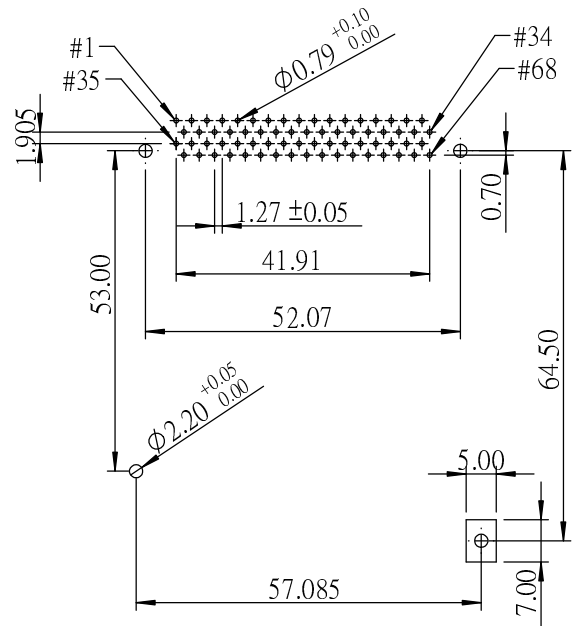
- (A) TOTAL INSERTION FORCE
STANDARD: 39.2 N Max
- (B) TOTAL PULLING FORCE
STANDARD: 6.67 N Min. and 39.2 N Max

3. ELECTRICAL SPEC:

- (A) THE SOCKET IS FOR 3.3V PC CARD ONLY.
- (B) CONTACT RESISTANCE
STANDARD: 40 mΩ Max
- (C) WITHSTANDING VOLTAEG
STANDARD: Current leakage 1.0 mA Max
- (D) INSULATION RESISTANCE
STANDARD: 1000 MΩ Min

4. HSF CONCRRAFT LEVEL 1

5. CONFORM TO PCMCIA CONNECTOR RELIABILITY STANDARD.



PCB LAYOUT : COMPONENT SIDE
PCB THK. 1.60±0.10

				GENERAL TOLERANCE		DRAW: Tony	PART NO: A51C5B00B9RFS21
				X. ±0.30	X' ± 2.00'	CHECKED:	TITLE: PCMCIA ASSEMBLY
				.X ±0.20	.X' ± 1.00'		
C E090085A Fancy 04/02/2009				.XX ±0.10	.XX' ± 0.50'		
				.XXX ±0.05		APPROVE:	DRAWING NO: A51C5B00B9RFS21
B E080174A Tony 06/13/2008				UNITS: mm	DATE: 06 / 11 / 2008		
REV.	ECO NO.	DRAW.	DATE				
MATERIAL:		FINISH:	SCALE: 0.8 / 1	SHEET: 2 / 2	REV. A	DRAGONSTATE TECHNOLOGY CO., LTD	