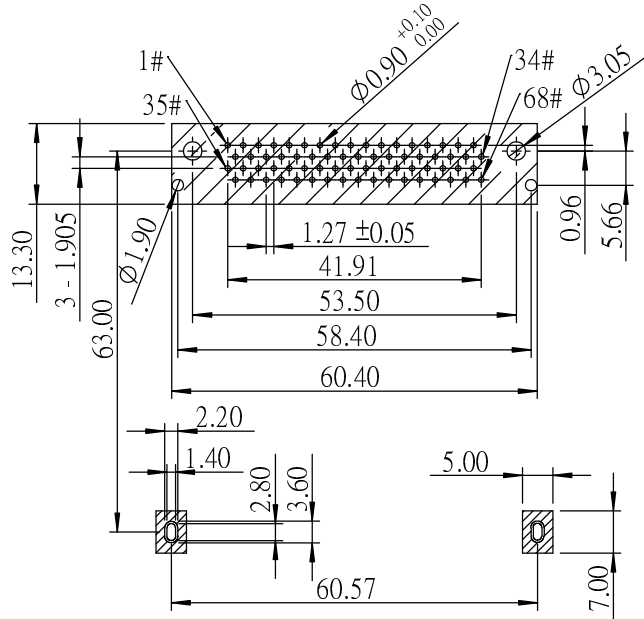
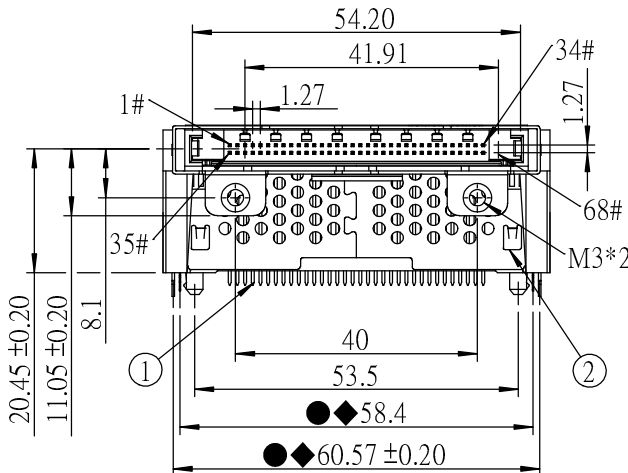
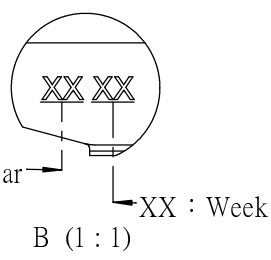
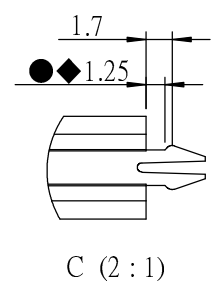
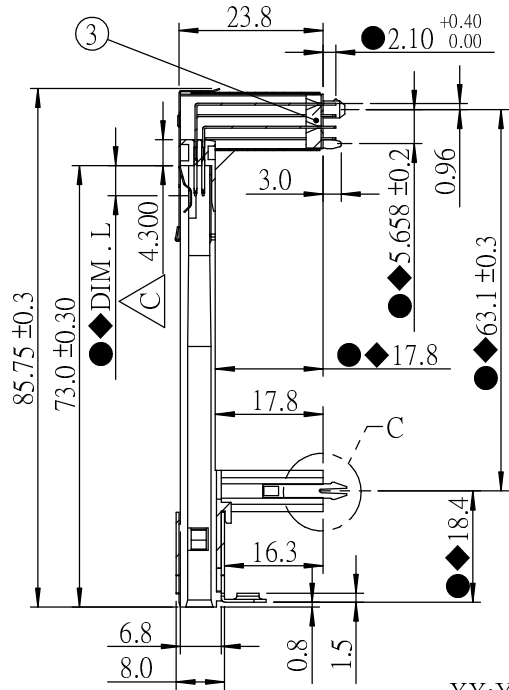
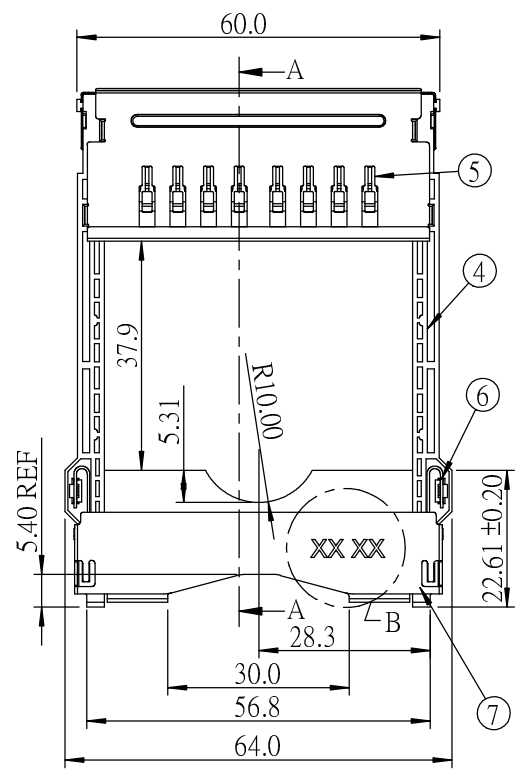


A B C D E F




PCB LAYOUT : COMPONENT SIDE  
PCB THK. 1.60±0.10

NOTE:  
1. INSPECTION SYMBOL:  
● : MANUFACTURER INSPECTION  
◆ : Q.C INSPECTION  
2. VOLTAGE 3.3V & HSF CONCRAFT LEVEL 1  
3. PLEASE REFER TO TABLE 1 FOR TERMINAL LENGTH.  
TABLE 1

PIN TYPE	DIM. L ±0.20	PIN NUMBER
DETECT	3.50 mm	36 , 67
GENERAL	4.25 mm	THE REST
POWER	5.00 mm	1, 17, 34, 35, 51, 68

- Contact : Copper Alloy + Gold Flash
- EMI Shell : Stainless Steel + Tin Plated
- Locator : PBT+GF30%(UL94V-0)
- Base : PBT+GF30%(UL94V-0)
- Card Bus : Stainless Steel
- Hook Pin : Phosphor Bronze + Gold Flash + Tin Plated
- Top Shield: SPCC + Nickel Plated

				GENERAL TOLERANCE		DRAW:	PART NO:
C	E090196A	York	06/24/2009	X. ±0.30	X' ± 2.00'	York	1201011PB7H
B	E090171A	York	06/09/2009	X ±0.20	.X' ± 1.00'	CHECKED:	TITLE: PCMCIA ASSEMBLY
A	E090108A	York	04/18/2009	.XX ±0.10	.XX' ± 0.50'	APPROVE:	DRAWING NO: 1201011PB7H
REV.	ECO NO.	DRAW.	DATE	UNITS: mm	DATE: 04 / 18 / 2009		
MATERIAL:		FINISH:	SCALE: 0.8 / 1	SHEET: 1 / 1	REV. A	 <b>CONCRAFT</b> DRAGONSTATE TECHNOLOGY CO., LTD	

A B C D E F