

A

B

C

D

E

F

1

1

2

2

3

3

4

4

5

5

6

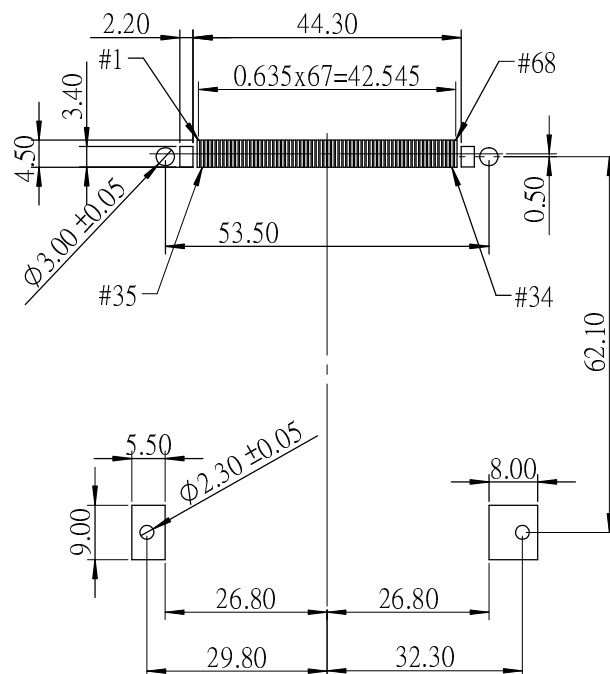
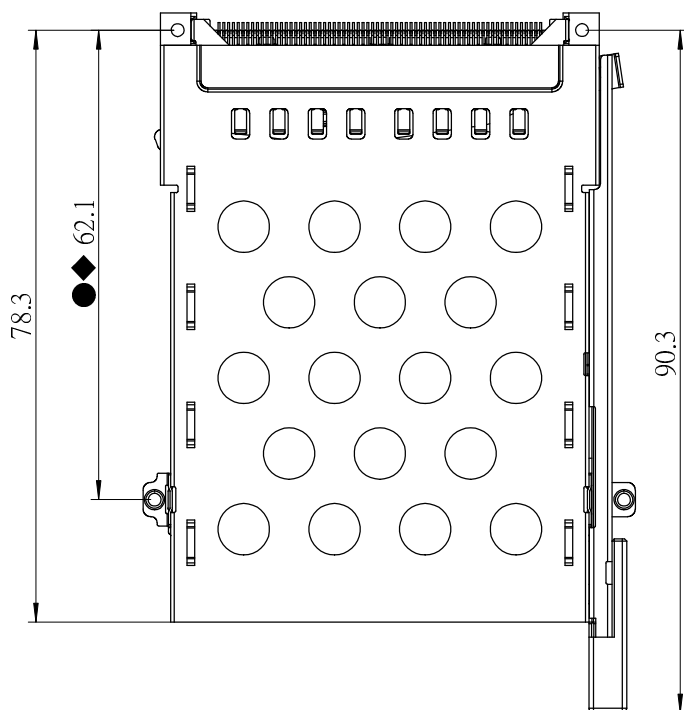
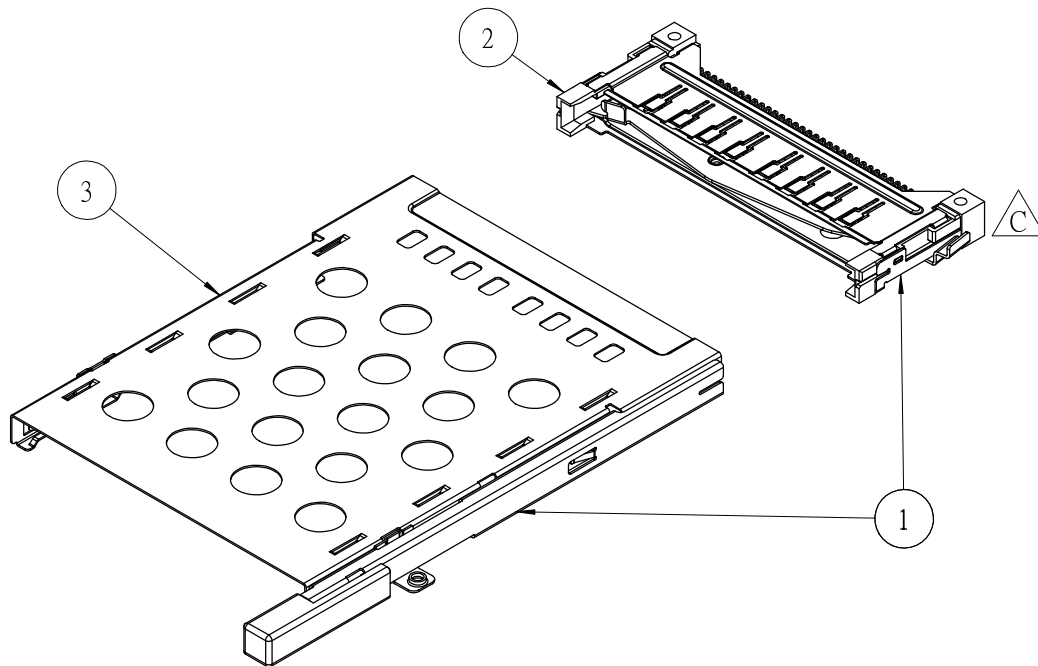
6

7

7

8

8



PCB LAYOUT : COMPONENT SIDE

ITEM	PART NO.	NAME
1	0171220P00A	ASSEMBLY
2	0171221P00A	HEADER
3	0171222N00A	EJECTOR


NOTE:

1. INSPECTION SYMBOL:

● : MANUFACTURER INSPECTION

◆ : Q.C INSPECTION

△ 2.HSF CONCRRAFT LEVEL 1

				GENERAL TOLERANCE		DRAW:	PART NO:
D	E080357A	David Wang	11/12/2008	X. ±0.30	X.' ± 2.00'	OLIVE	0171220P00A
C	E080082A	David Wang	04/08/2008	.X ±0.20	.X' ± 1.00'	CHECKED:	TITLE:
B	E060192A	Pat	10/16/2006	.XX ±0.10	.XX' ± 0.50'	APPROVE:	DRAWING NO:
REV.	ECO NO.	DRAW.	DATE	UNITS: mm	DATE: 08/23/2006	Andrew	0171220P00A
MATERIAL:		FINISH:	SCALE: 1:1	SHEET: 1/1	REV. A	 CONCRAFT DRAGONSTATE TECHNOLOGY CO., LTD	

A

B

C

D

E

F