

A

B

C

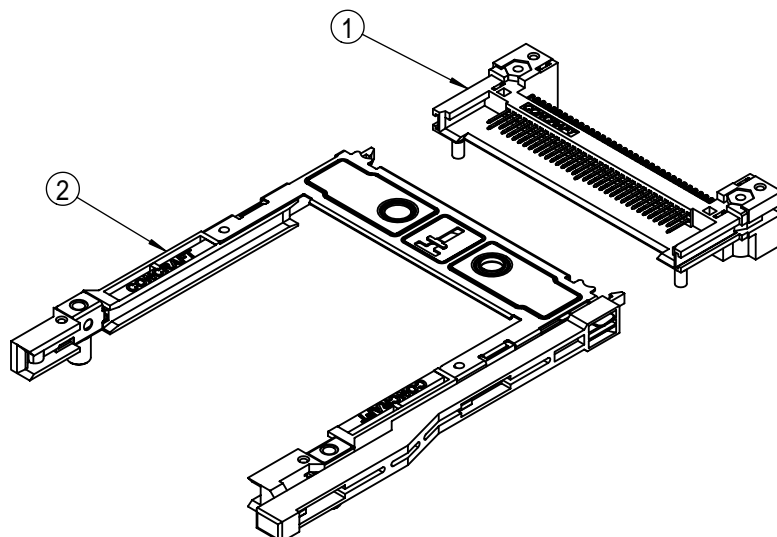
D

E

F

1

1



2

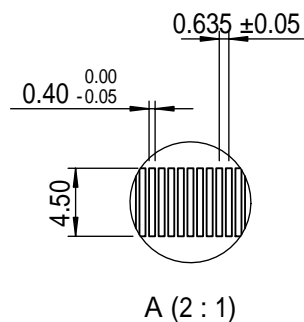
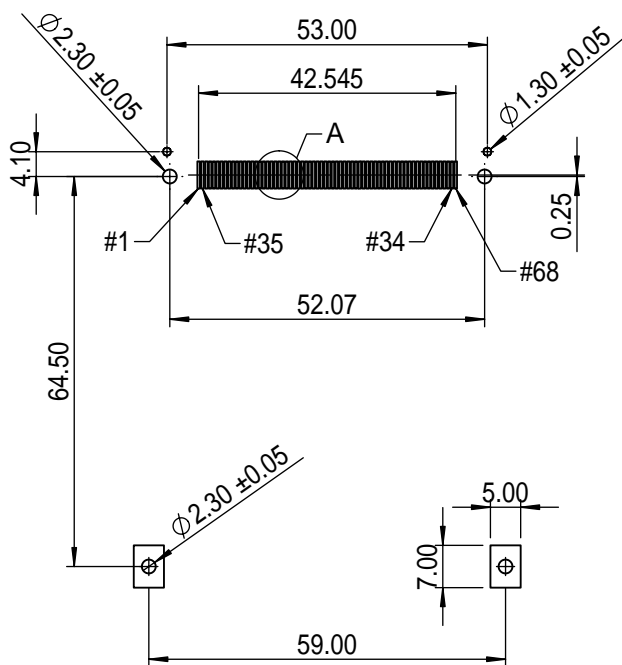
2

3

3

4

4



5

5

6

6

PCB LAYOUT : COMPONENT SIDE


7

7

ITEM	PART NO.	NAME
1	A11C1A004010P00	HEADER
2	A1A11D114000P00	EJECTOR

8

8

REV.	ECO NO.	DESCRIPTION	DATE	GENERAL TOLERANCE	DRAW:	PART NO:
				X. ±0.30 .X ±0.20 .XX ±0.10 .XXX ±0.05	OLIVE	A11G1D114010P00
				UNITS: mm	CHECKED:	TITLE: PCMCIA ASSEMBLY
				SHEET: 1 / 1	APPROVE:	DRAWING NO: A11G1D114010P00
				REV. A	 CONCRAFT DRAGONSTATE TECHNOLOGY CO., LTD	

A

B

C

D

E

F