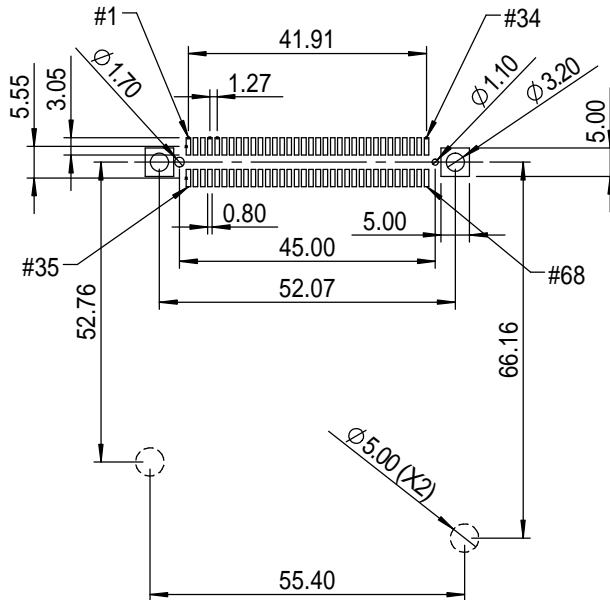
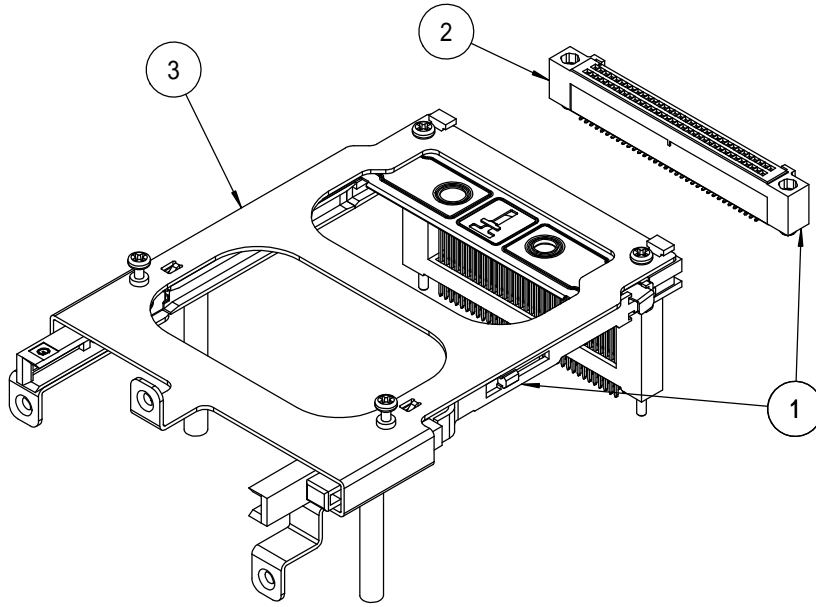


A B C D E F

1
2
3
4
5
6
7



ITEM	PART NO.	NAME
1	087A11FG290	ASSEMBLY
2	088A00FG001	HEADER
3	089A11FG290	GUILDING RAIL

				GENERAL TOLERANCE		DRAW: olive	PART NO: 087A11FG290
				X. ±0.30	X. ° ±2.00 °	CHECKED:	TITLE: PCMCIA ASSEMBLY
				.X ±0.20	.X ° ±1.00 °		
	C	E070034A	pat cheng	01/29/2007	.XX ±0.10	.XX ° ±0.50 °	APPROVE: 王玉田07/01/29
	B	E060204A	pat cheng	11/25/2006	.XXX ±0.05	DRAWING NO: 087A11FG290	
8	REV.	ECO NO.	DESCRIPTION	DATE	UNITS: mm	SHEET: 1/1	
	MATERIAL:	FINISH:	DATE: 08 / 22 / 2006	REV. A	 CONCRAFT DRAGONSTATE TECHNOLOGY CO., LTD		

A B C D E F

1
2
3
4
5
6
7
8