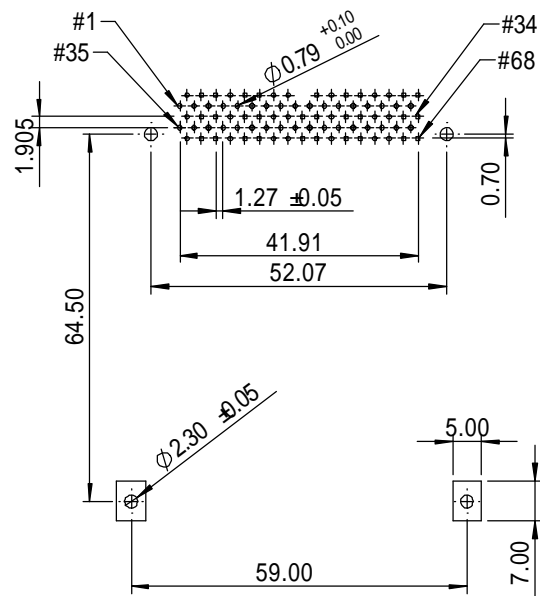
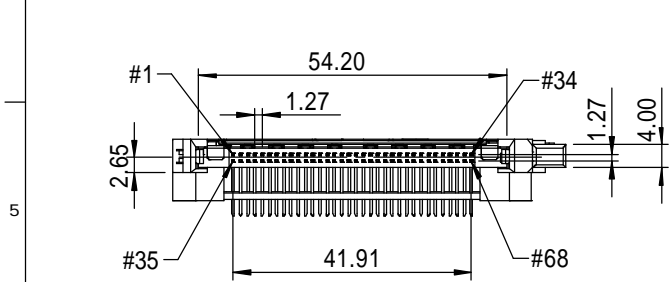


PART NO.	DIM. A ±0.20
007022CP50A	5.00
007022CP80A	8.00

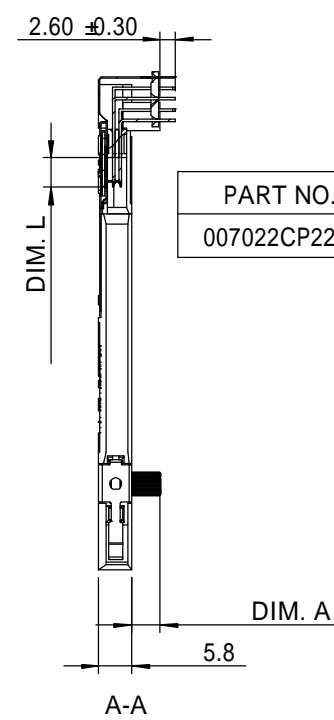
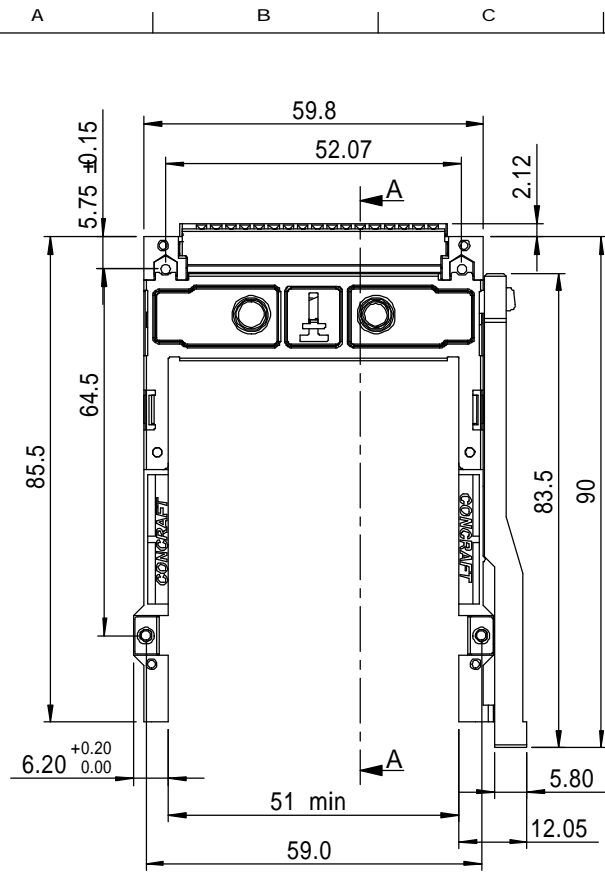


NOTE:
 1. INSPECTION SYMBOL:
 : MANUFACTURER INSPECTION
 : Q.C INSPECTION
 2. PLEASE REFER TO TABLE 1 FOR TERMINAL LENGTH.
 TABLE 1

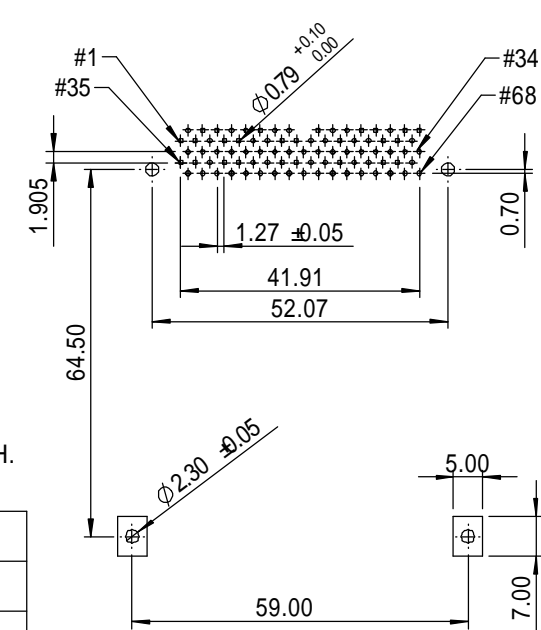
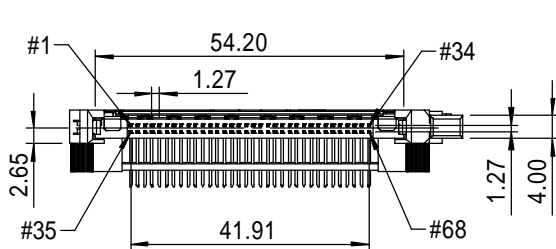
PIN TYPE	DIM. L ±0.20	PIN NUMBER
DETECT	3.50 mm	36, 67
GENERAL	4.25 mm	THE REST
POWER	5.00 mm	1, 17, 34, 35, 51, 68

PCB LAYOUT : COMPONENT SIDE

				GENERAL TOLERANCE		DRAW: Tony	PART NO: 007022CP□□A
				X. ±0.30	X. ° ±2.00 °	CHECKED:	TITLE: PCMCIA ASSEMBLY
				.X ±0.20	.X ° ±1.00 °	APPROVE: SEGA	DRAWING NO: 007022CP□□A
				.XX ±0.10	.XX ° ±0.50 °		
				.XXX ±0.05			
8	D	E070261A	Tony	09/06/2007	UNITS: mm	SHEET: 1/2	
REV.	ECO NO.	DESCRIPTION	DATE	⊕	 CONCRAFT DRAGONSTATE TECHNOLOGY CO., LTD		
MATERIAL:	FINISH:	DATE:	08/04/2006	REV. A			



PART NO.	DIM. A ±0.20
007022CP22A	2.20



PCB LAYOUT : COMPONENT SIDE

NOTE:
 1. INSPECTION SYMBOL:
 : MANUFACTURER INSPECTION
 : Q.C INSPECTION
 2. PLEASE REFER TO TABLE 1 FOR TERMINAL LENGTH.
 TABLE 1

PIN TYPE	DIM. L ±0.20	PIN NUMBER
DETECT	3.50 mm	36 , 67
GENERAL	4.25 mm	THE REST
POWER	5.00 mm	1, 17, 34, 35, 51, 68

				GENERAL TOLERANCE		DRAW:	PART NO:
				X. ±0.30	X. ° ±2.00 °	Tony	007022CP□□A
				.X ±0.20	.X ° ±1.00 °	CHECKED:	TITLE:
				.XX ±0.10	.XX ° ±0.50 °		PCMCIA ASSEMBLY
				.XXX ±0.05		APPROVE:	DRAWING NO:
8	D	E070261A	Tony	09/06/2007	UNITS: mm	SEGA	007022CP□□A
8	REV.	ECO NO.	DESCRIPTION	DATE	⊕	 CONCRAFT DRAGONSTATE TECHNOLOGY CO., LTD	
	MATERIAL:	FINISH:	DATE:	REV. A			