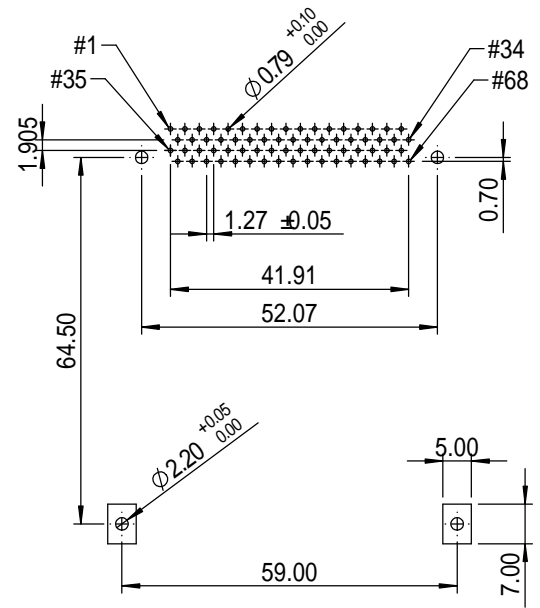
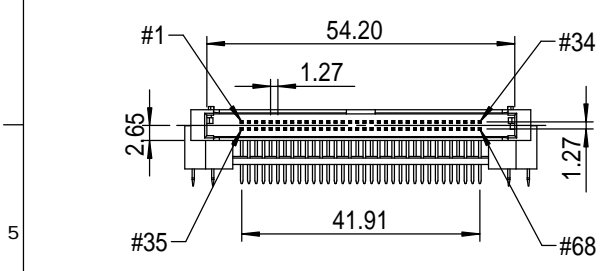


Board lock to Board lock

A-A

B (2 : 1)




PCB LAYOUT : COMPONENT SIDE
PCB THK. 1.60±0.10

NOTE:

- INSPECTION SYMBOL:
: MANUFACTURER INSPECTION
: Q.C INSPECTION
- PLEASE REFER TO TABLE 1 FOR TERMINAL LENGTH.
TABLE 1
- VOLTAGE 3.3V
- HSF CONCRAFT LEVEL 1

PIN TYPE	DIM. L ±0.20	PIN NUMBER
DETECT	3.50 mm	36 , 67
GENERAL	4.25 mm	THE REST
POWER	5.00 mm	1, 17, 34, 35, 51, 68

E	E080222A	Tony	07/30/2008	GENERAL TOLERANCE		DRAW:	PART NO:
D	E080001A	Tony	01/05/2008	X. ±0.30	X. ° ±2.00 °	Tony	00703C0P□□A
C	E070141A	Tony	05/22/2007	.X ±0.20	.X ° ±1.00 °	CHECKED:	TITLE:
B	E050115A	PAT	08/17/2005	.XX ±0.10	.XX ° ±0.50 °	APPROVE:	DRAWING NO:
REV.	ECO NO.	DRAW.	DATE	UNITS:	DATE:	SEGA	00703C0P□□A
MATERIAL:	FINISH:	SCALE:	SHEET:	REV.	 DRAGONSTATE TECHNOLOGY CO., LTD		
		1/1	1/1	A			