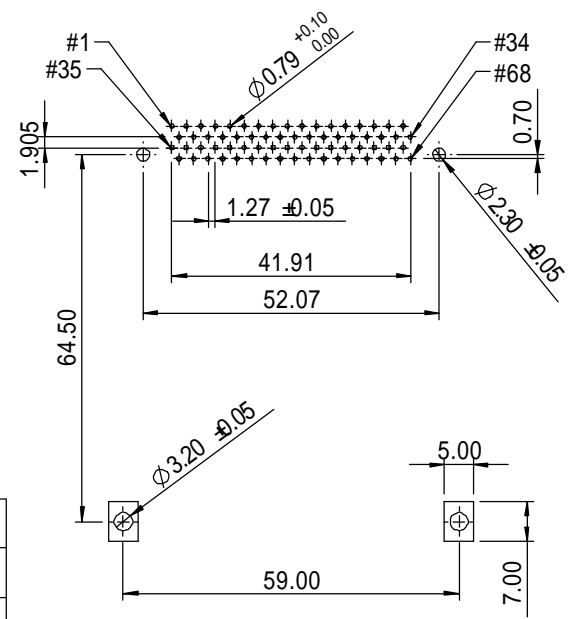
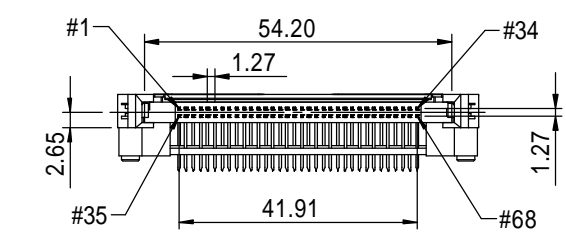


PART NO.	DIM. A ±0.20
0070210P50C	5.00
0070210P80C	8.00
0070210PA5C	15.00
0070210PA8C	18.00



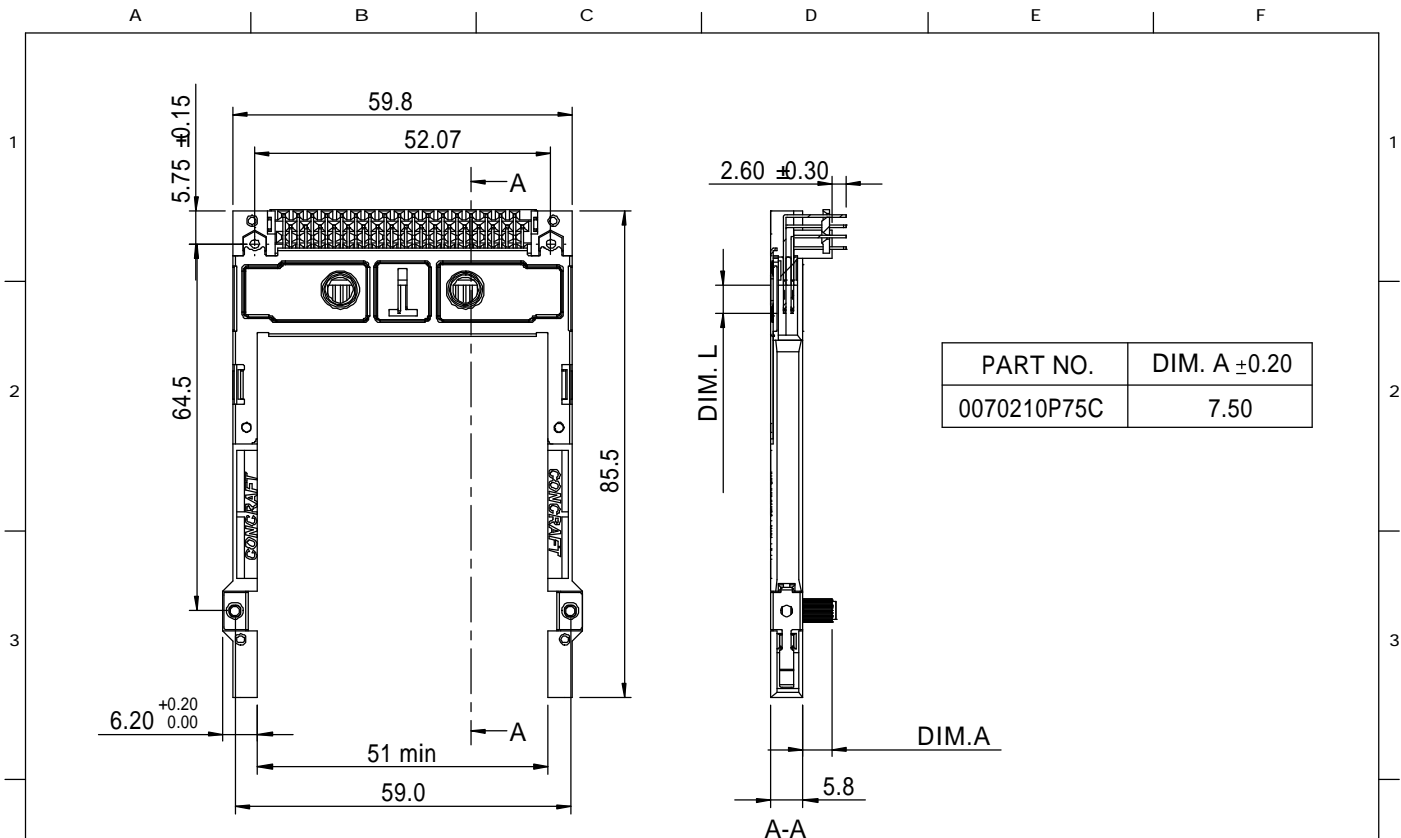
PCB LAYOUT : COMPONENT SIDE

NOTE:
 1. INSPECTION SYMBOL:
 : MANUFACTURER INSPECTION
 : Q.C INSPECTION
 2. PLEASE REFER TO TABLE 1 FOR TERMINAL LENGTH.

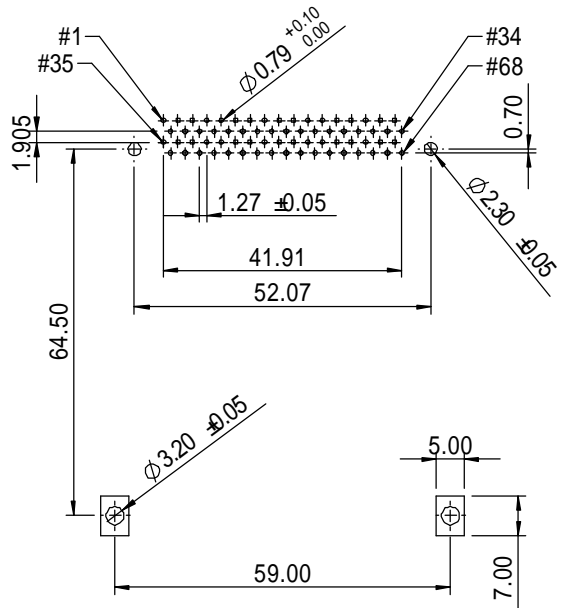
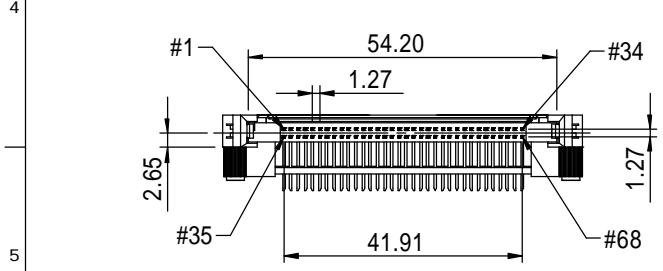
TABLE 1

PIN TYPE	DIM. L ±0.20	PIN NUMBER
DETECT	3.50 mm	36 , 67
GENERAL	4.25 mm	THE REST
POWER	5.00 mm	1, 17, 34, 35, 51, 68

				GENERAL TOLERANCE		DRAW: Tony		PART NO: 0070210P□□C	
				X. ±0.30	X. ° ±2.00 °	CHECKED:		TITLE: PCMCIA ASSEMBLY	
F E080001A Tony 01/05/2008				.X ±0.20	.X ° ±1.00 °	APPROVE: SEGA		DRAWING NO: 0070210P□□C	
E E060056A WES 04/13/2006				.XX ±0.10	.XX ° ±0.50 °	SHEET: 1/2			
8				UNITS: mm					
REV.	ECO NO.	DESCRIPTION	DATE			 CONCRAFT DRAGONSTATE TECHNOLOGY CO., LTD			
MATERIAL:	FINISH:	DATE: 07/23/2004	REV. A						



PART NO.	DIM. A ±0.20
0070210P75C	7.50



PCB LAYOUT : COMPONENT SIDE

- NOTE:
- INSPECTION SYMBOL:
 : MANUFACTURER INSPECTION
 : Q.C INSPECTION
 - PLEASE REFER TO TABLE 1 FOR TERMINAL LENGTH.
 TABLE 1

PIN TYPE	DIM. L ±0.20	PIN NUMBER
DETECT	3.50 mm	36 , 67
GENERAL	4.25 mm	THE REST
POWER	5.00 mm	1, 17, 34, 35, 51, 68

				GENERAL TOLERANCE		DRAW:	PART NO:
				X. ±0.30	X. ° ±2.00 °	Tony	0070210P□□C
				.X ±0.20	.X ° ±1.00 °	CHECKED:	TITLE:
F	E080001A	Tony	01/05/2008	.XX ±0.10	.XX ° ±0.50 °		PCMCIA ASSEMBLY
E	E060056A	WES	04/13/2006	.XXX ±0.05		APPROVE:	DRAWING NO:
				UNITS:	SHEET:	SEGA	0070210P□□C
				mm	2 / 2		
REV.	ECO NO.	DESCRIPTION	DATE			 CONCRAFT DRAGONSTATE TECHNOLOGY CO., LTD	
MATERIAL:	FINISH:	DATE:	REV.				
		07 / 23 / 2004	A				