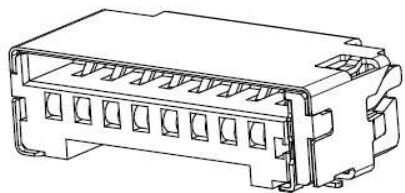
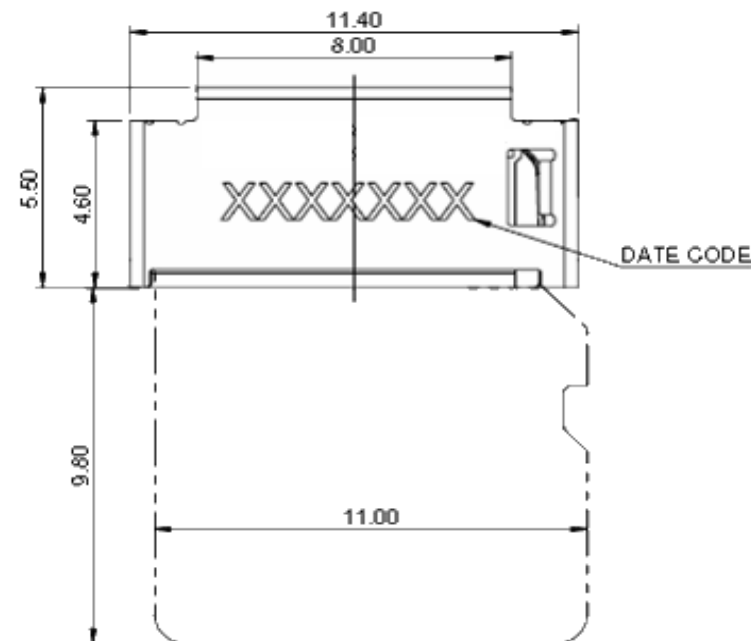
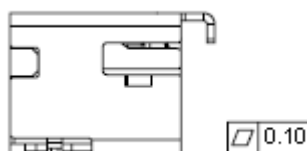
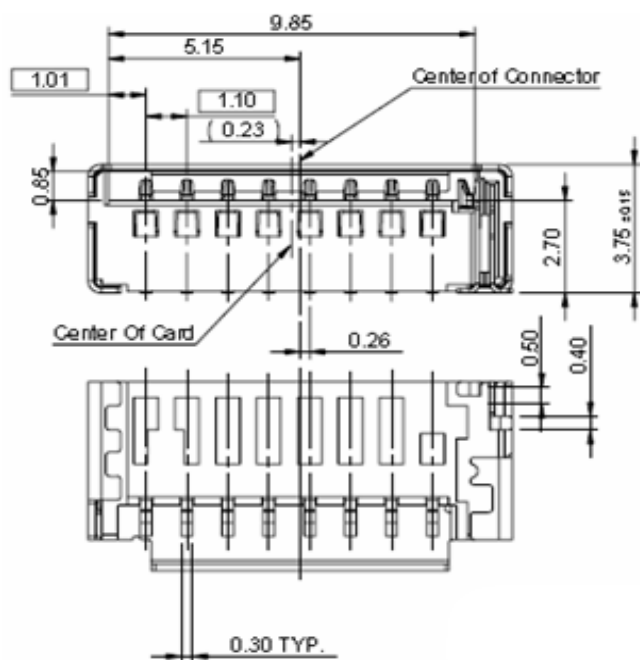


EDCON-COMPONENTS



Technical Description

Material:	High temperature thermoplastic UL94V-0
Color:	black
Micro SD-Terminal	Copper Alloy
Cover:	Stainless Steel
Finish:	
Terminal underplate:	Ni over all.
Contact area:	Au over Ni plate
Solder Area	Lead free over NI plate
Switch	w. Card detect switch



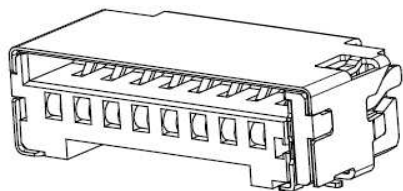
MICRO SD-CARD Connector	
Part No.:	T58005
Customer:	

DRW:	Jason	CHKD	Wilson	MATL:	Wilson	TOLERANCE	Mason	DATE	10.04.2009
APPD:	Schumi			FINISH	Jamy		Sheet No.		1 from 4

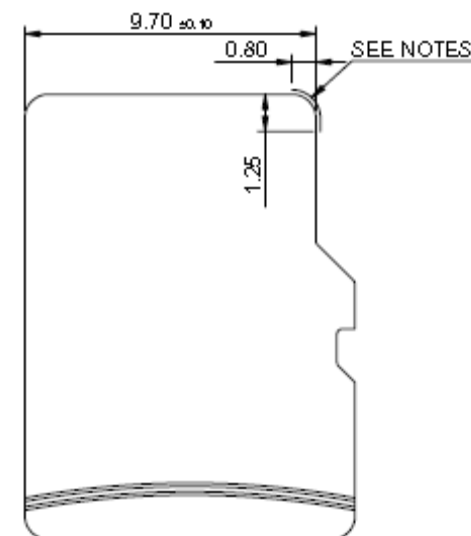
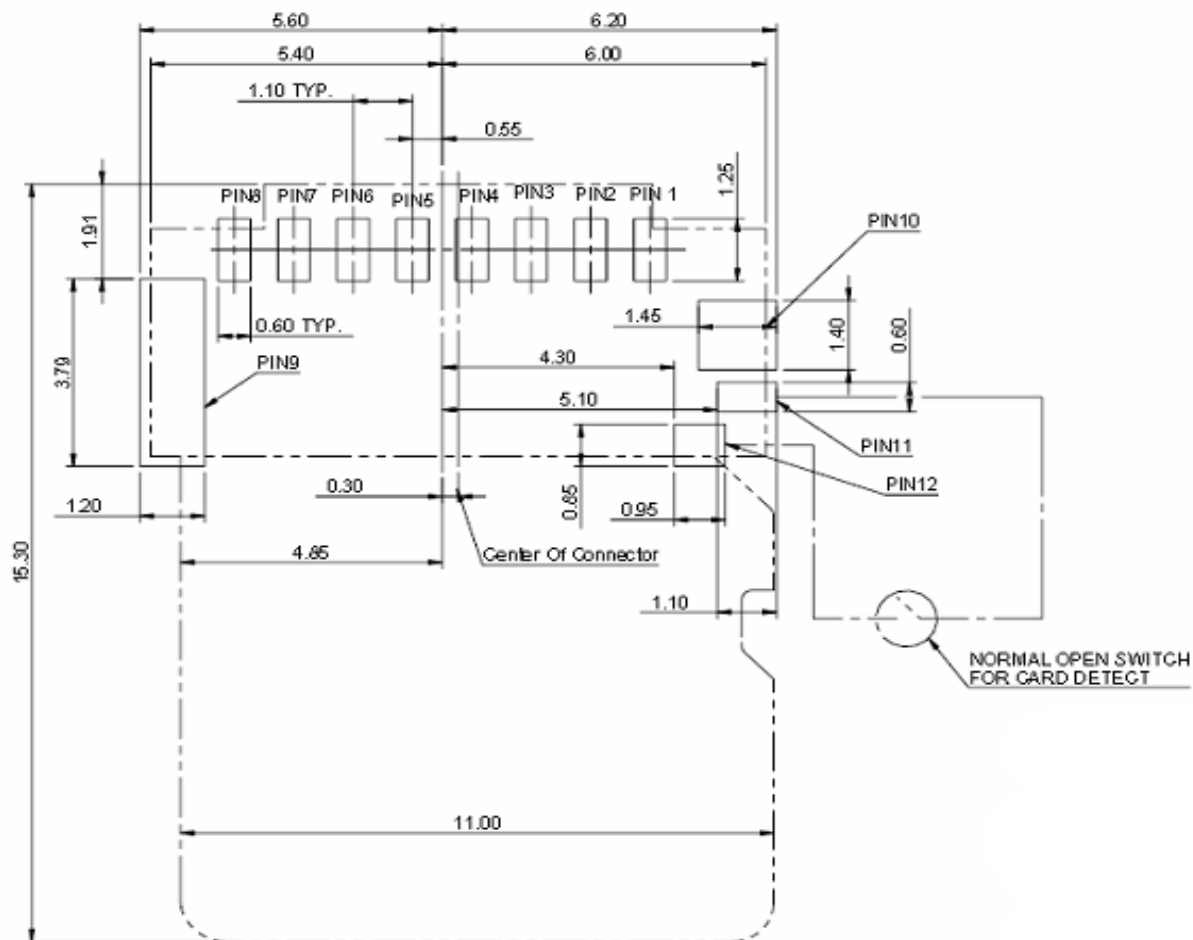
www.edcon-components.com

email: info@edcon-components.com

EDCON-COMPONENTS



PCB Layout



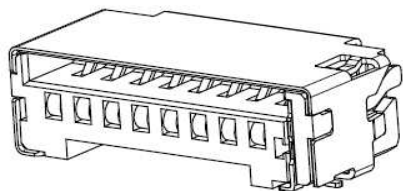
MICRO SD-CARD Connector	
Part No.:	T58005
Customer:	

DRW:	Jason	CHKD	Wilson	MATL:	Wilson	TOLERANCE	Mason	DATE	10.04.2009
APPD:	Schumi			FINISH	Jamy		Sheet No.	2 from 4	

www.edcon-components.com

email: info@edcon-components.com

EDCON-COMPONENTS



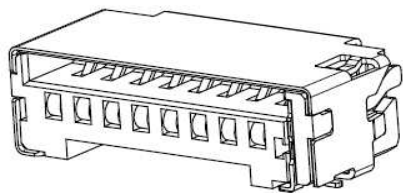
Ordering Informations

Serie	Contact Plating	ROHS	Packing							
T58005	GF	R	TR							

GF = Gold Flash Plating	R = ROHS Conform	TY = Tray Packing
	N = Non ROHS Conform	TR = Tape Reel

MICRO SD-CARD Connector	
Part No.:	T58005
Customer:	

DRW:	Jason	CHKD	Wilson	MATL:	Wilson	TOLERANCE	Mason	DATE	10.04.2009
APPD:	Schumi			FINISH	Jamy		Sheet No.		3 from 4



Soldering Profile Curve

Classification Reflow Profile (JEDEC J-STD-020C)



MICRO SD-CARD Connector	
Part No.:	T58005
Customer:	

DRW:	Jason	CHKD	Wilson	MATL:	Wilson	TOLERANCE	Mason	DATE	10.04.2009
APPD:	Schumi			FINISH	Jamy		Sheet No.	4 from 4	