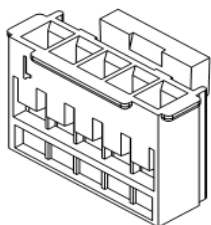


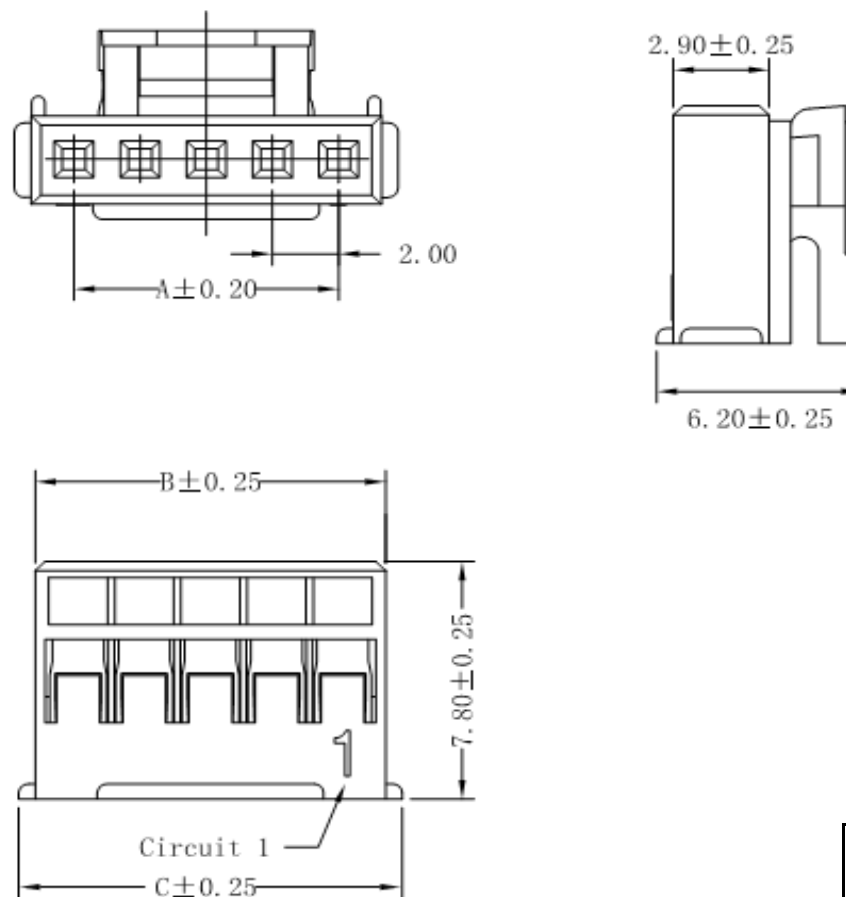
EDCON-COMPONENTS



Specifications

Voltage Rating:	250V AC,DC
Current Rating	3A AC/DC
Operating Temperature	-25°C ~ + 85°C
Contact Resistance	30 milli Ohm max.
Withstanding Voltage	1000V AC/minute
Insulation Resistance	1000 M Ohm min.
Material Pin:	Phosphor Bronze / Tin plated
Wafer	Nylon 66 UL94V-0

Drawing (dimensions all into mm)



Terminal Assembly Drawing

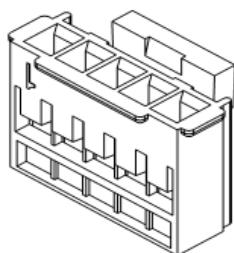


Housing Serie Pitch 2,00mm

Part No.: **T68T1010**

Customer:

DRW:	Jason	CHKD	Wilson	MATL:	Wilson	TOLERANCE	Mason	DATE	02.04.2009
APPD:	Schumi			FINISH	Jamy		Sheet No.	1 from 3	



Ordering Informations

Serie	Number of Pos.	Contact plating	Packing						
-------	----------------	-----------------	---------	--	--	--	--	--	--

T68T1010	02	T	BU						
-----------------	-----------	----------	-----------	--	--	--	--	--	--

xx = Pos.	T= Tin	BU= Bulk							
	G= Flash Gold								



Housing Serie Pitch 2,00mm
Part No.: T68T1010
Customer:

DRW:	Jason	CHKD	Wilson	MATL:	Wilson	TOLERANCE	Mason	DATE	02.04.2009
APPD:	Schumi			FINISH	Jamy		Sheet No.	3 from 3	