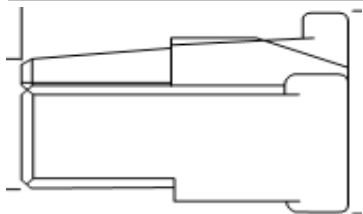


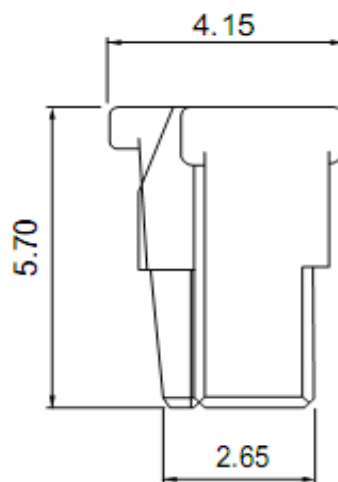
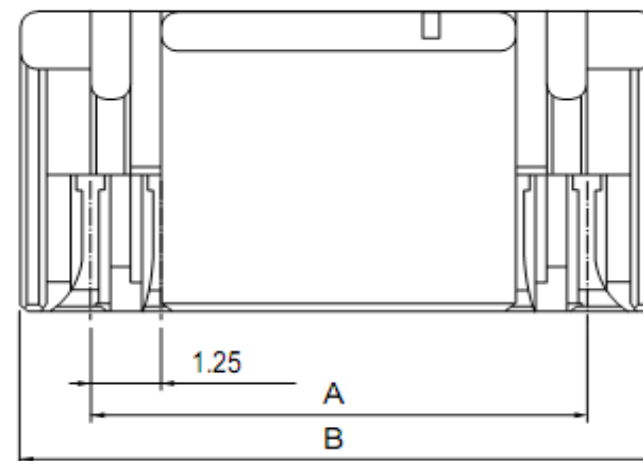
EDCON-COMPONENTS



Specifications

Voltage Rating:
 Current Rating:
 Operating Temperature:
 Contact Resistance:
 Withstanding Voltage:
 Insulation Resistance:
 Applicable Wire:
 Applicable P.C.B:
 Applicable FPC/FFC:
 Solder Height:
 Crimp Tensile Strength:
 Material Housing:

Drawing (dimensions all into mm)

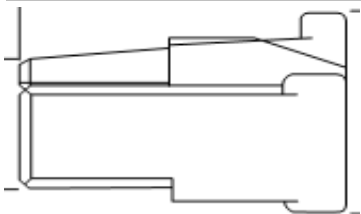


Housing Serie T68Txxxx Pitch 2,00mm	
Part No.:	T68T1011
Customer:	

DRW:	Jason	CHKD	Wilson	MATL:	Wilson	TOLERANCE	Mason	DATE	02.04.2009
APPD:	Schumi			FINISH	Jamy		Sheet No.	1 from 3	

www.edcon-components.com

email: info@edcon-components.com



Ordering Informations

Serie	Number of Pos.	Packing							
-------	----------------	---------	--	--	--	--	--	--	--

T68T1011	02	BU							
-----------------	-----------	-----------	--	--	--	--	--	--	--

xx = Pos.	BU= Bulk Packing								



Housing Serie T68Txxxx Pitch 2,00mm	
Part No.:	T68T1011
Customer:	

DRW:	Jason	CHKD	Wilson	MATL:	Wilson	TOLERANCE	Mason	DATE	02.04.2009
APPD:	Schumi			FINISH	Jamy		Sheet No.	3 from 3	