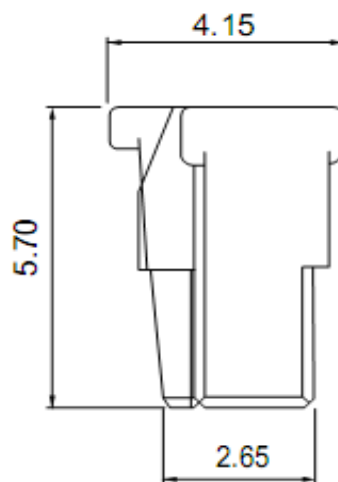
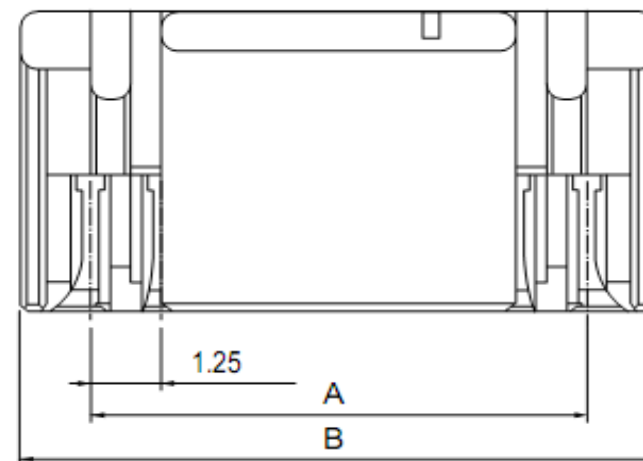


Specifications

Voltage Rating:	50V AC/DC
Current Rating:	1A AC/DC
Operating Temperature:	. -25°C to ~ +85°C
Contact Resistance:	30 milli Ohm max.
Withstanding Voltage:	500V AC/Minute
Insulation Resistance:	100M Ohm Min
Applicable Wire:	
Applicable P.C.B:	
Applicable FPC/FFC:	
Solder Height:	
Crimp Tensile Strength:	
Material Housing:	PBT, UL94V-0
Color of Housing:	Natural (White)

Drawing (dimensions all into mm)

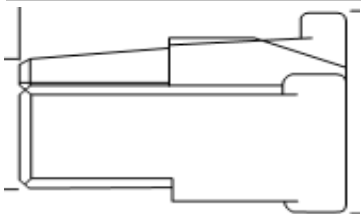


Housing Serie T68T1010 Pitch
2,00mm

Part No.: **T68S1010-**

Customer:
email: info@edcon-components.com

DRW:	Jason	CHKD	Wilson	MATL:	Wilson	TOLERANCE	Mason	DATE	06.04.2013
APPD:	Schumi			FINISH	Jamy		Sheet No.	1 from 3	



Ordering Informations

Serie	Number of Pos.	Packing								
-------	----------------	---------	--	--	--	--	--	--	--	--

T68S1010-	02	BU								
------------------	-----------	-----------	--	--	--	--	--	--	--	--

xx = Pos.	BU= Bulk Packing									



Housing Serie T68T1010 Pitch 2,00mm	
Part No.:	T68S1010-
Customer:	

DRW:	Jason	CHKD	Wilson	MATL:	Wilson	TOLERANCE	Mason	DATE	06.04.2013
APPD:	Schumi			FINISH	Jamy		Sheet No.		3 from 3