

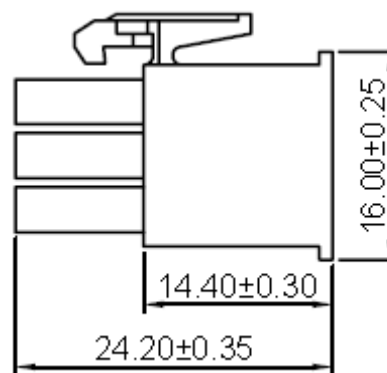
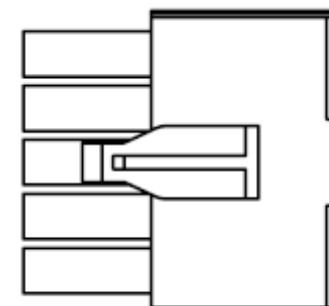
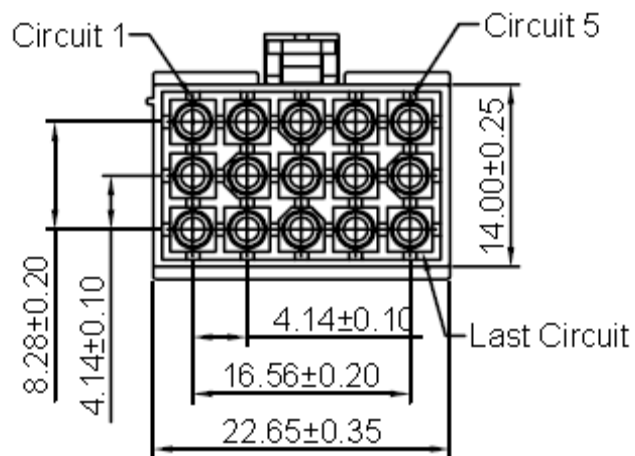
EDCON-COMPONENTS



Specifications

Voltage Rating:	600 V AC/DC
Current Rating:	9A AC/DC
Operating Temperature:	. -25°C to + 85°C
Contact Resistance:	20milli Ohm
Withstanding Voltage:	1500 V AC/Minute
Insulation Resistance:	1000Mege Ohm min.
Applicable Wire:	AWG18 ~ 22
Material Housing:	Nylon 66 / UL94V-0
Body Color:	White

Drawing (dimensions all into mm)



Housing Serie T68R1015 Pitch 4,14mm
Part No.: T68R1015-
Customer:

DRW:	Jason	CHKD	Wilson	MATL:	Wilson	TOLERANCE	Mason	DATE	02.04.2014
APPD:	Schumi			FINISH	Jamy		Sheet No.	1 from 2	

www.edcon-components.com

email: info@edcon-components.com

EDCON-COMPONENTS



Ordering Informations

Serie	Number of Pos.	ROHs	Packing							
-------	----------------	------	---------	--	--	--	--	--	--	--

T68R1015-	15	R	BU							
------------------	-----------	----------	-----------	--	--	--	--	--	--	--

xx = Pos.	R= ROHS Conform	BU= Bulk Packing								
	N= NON ROHS Conform									

Housing Serie T68R1015 Pitch 4,14mm

Part No.: **T68R1015-**

DRW:	Jason	CHKD	Wilson	MATL:	Wilson	TOLERANCE	Mason	DATE	02.04.2014
APPD:	Schumi			FINISH	Jamy		Sheet No.		2 from 2

Customer: