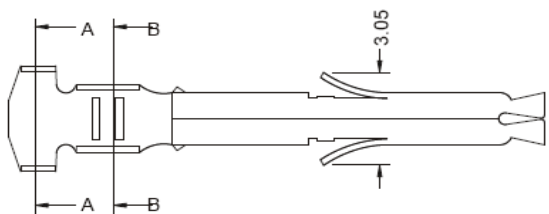


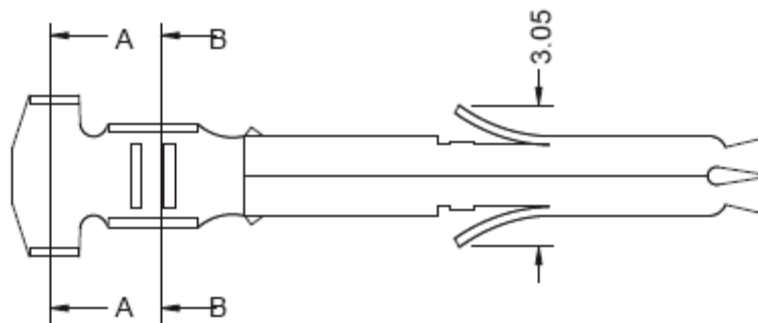
EDCON-COMPONENTS



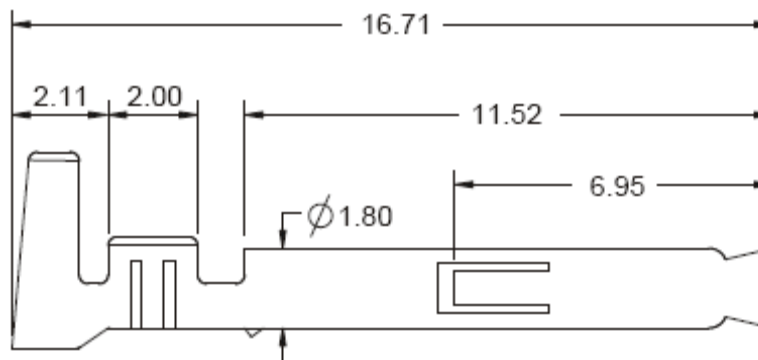
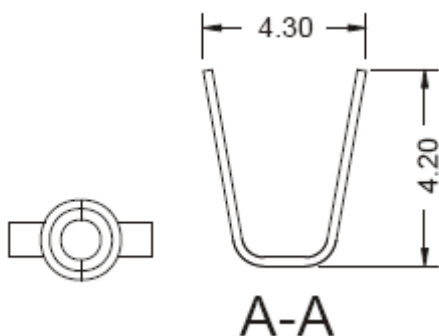
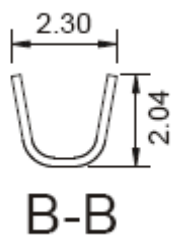
Specifications

Material:	Brass
Applicable Wire	AWG 18~22
Finish	Tin-Plated
Packing	Tape/Reel

Drawing (dimensions all into mm)



Terminal Assembly Drawing



Terminal to Housing Serie xxxxxx
Pitch 2,00mm

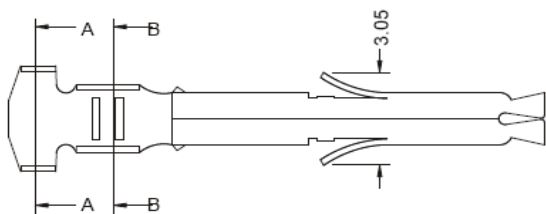
Part No.: **T68R1010**

Customer:

DRW:	Jason	CHKD	Wilson	MATL:	Wilson	TOLERANCE	Mason	DATE	02.04.2009
APPD:	Schumi			FINISH	Jamy		Sheet No.	1 from 2	

www.edcon-components.com

email: info@edcon-components.com



Ordering Informations

Serie	AWG-Wire	Contact Plating	Packing						
-------	----------	-----------------	---------	--	--	--	--	--	--

T68R1010	18	T	TR352						
-----------------	-----------	----------	--------------	--	--	--	--	--	--

18= AWG 18 ~ 22	T= Tin Plated (Standard)	TR302 = Tape /Reel 3500PCS							
	G= Gold Flash Plated (MQO Important)								



Terminal to Housing Serie xxxxxx Pitch 2,00mm	
Part No.:	T68R1010
Customer:	

DRW:	Jason	CHKD	Wilson	MATL:	Wilson	TOLERANCE	Mason	DATE	02.04.2009
APPD:	Schumi			FINISH	Jamy		Sheet No.	2 from 2	