

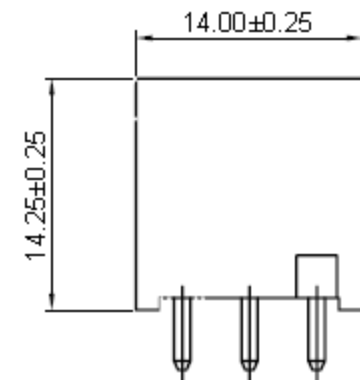
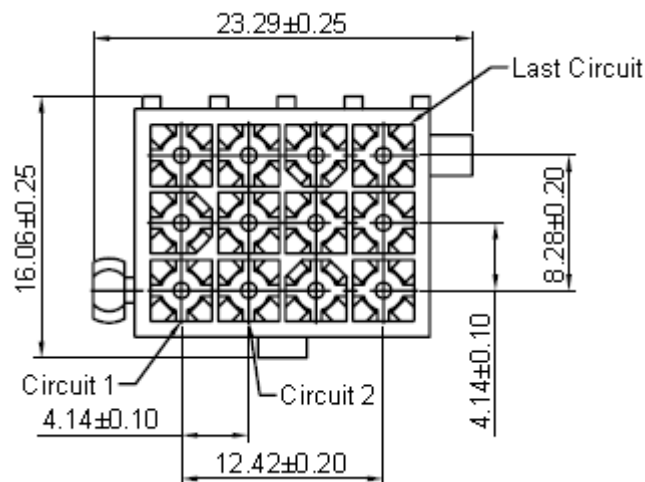
EDCON-COMPONENTS



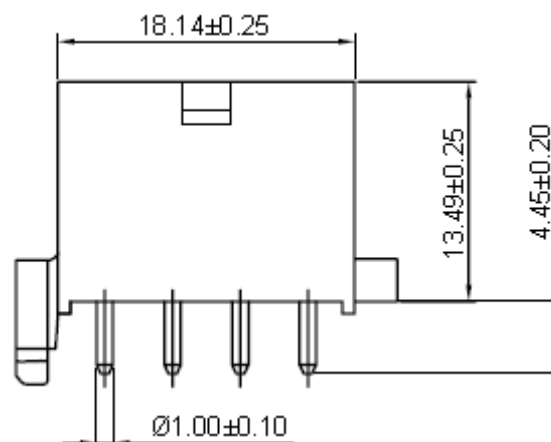
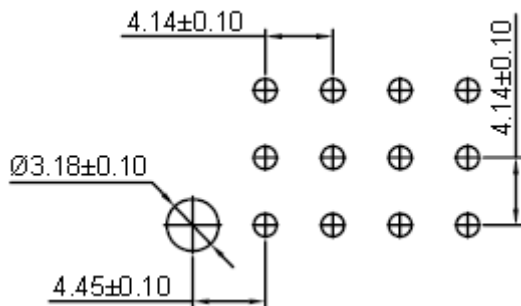
Specifications

Voltage Rating:	600V AC/DC
Current Rating	9A AC/DC
Operating Temperature	.-25°C ~ +105°C
Contact Resistance	20 milli Ohm max.
Withstanding Voltage	1500V AC / minute
Insulation Resistance	1000Mega Ohm min
Material:	Nylon 66 UL94V-0
Color of body:	White

Drawing (dimensions all into mm)



PCb Layout



Wafer Serie T68R1008 Pitch
4,14mm

Part No.: **T68R1008-**

Customer:

DRW:	Jason	CHKD	Wilson	MATL:	Wilson	TOLERANCE	Mason	DATE	13.04.2014
APPD:	Schumi			FINISH	Jamy		Sheet No.		1 from 3

EDCON-COMPONENTS



Ordering Informations

Serie	Number of Pos.	Contact Plating	ROHS	Packing						
-------	----------------	-----------------	------	---------	--	--	--	--	--	--

T68R1008-	12	T	R	BU						
------------------	-----------	----------	----------	-----------	--	--	--	--	--	--

12 = Pos.	T= Tin Plated (Standard)	R= ROHS Conform	BU= Bulk (Standard)							
			TY= Tray Packing							
	G= Gold Flash Plated MOQ is important	N= NON ROHS Conform								

Wafer Serie T68R1008 Pitch 4,14mm

Part No.: **T68R1008-**

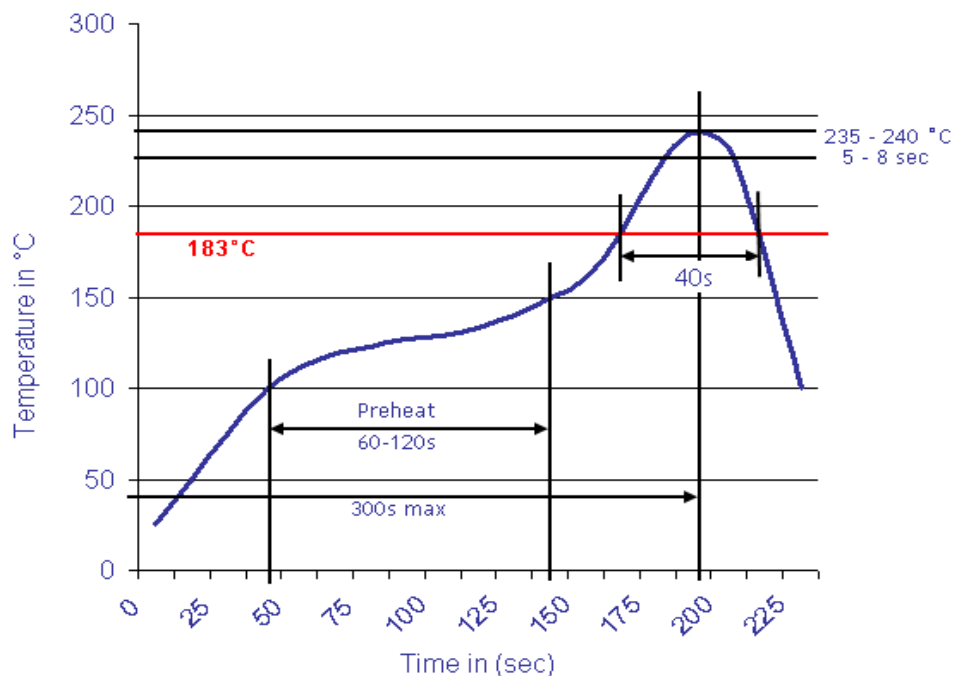
DRW:	Jason	CHKD	Wilson	MATL:	Wilson	TOLERANCE	Mason	DATE	13.04.2014
APPD:	Schumi			FINISH	Jamy		Sheet No.		2 from 3

Customer:



Soldering - Profile

Classification Reflow Profile (JEDEC J-STD-020C)



Wafer Serie T68R1008 Pitch
4,14mm

Part No.: **T68R1008-**

DRW:	Jason	CHKD	Wilson	MATL:	Wilson	TOLERANCE	Mason	DATE	13.04.2014
APPD:	Schumi			FINISH	Jamy		Sheet No.	3 from 3	Customer: