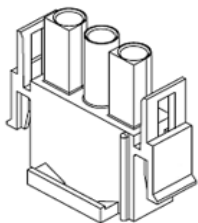


EDCON-COMPONENTS

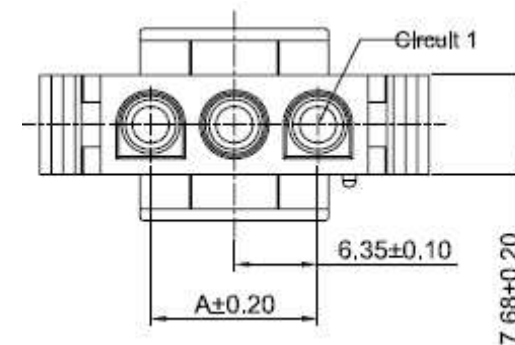
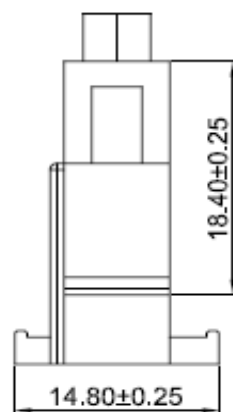
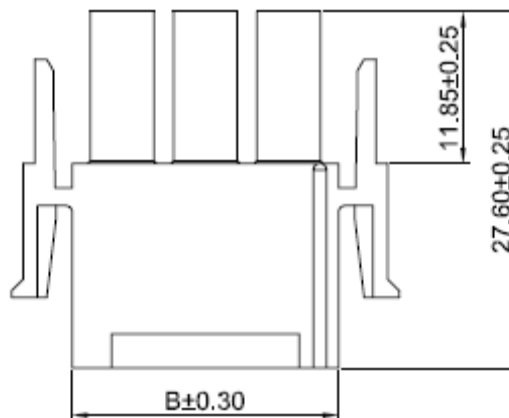


Specifications

Voltage Rating: 600VAC /DC
 Current Rating 15AC / DC
 Operating Temperature . -25°C ~ +85°C
 Contact Resistance 3,5m Ω Max.
 Withstanding Voltage 5000V AC/minute
 Insulation Resistance 1000M Ω Min.

Material: Nylon 66, UL94V-0 or UL94V-2

Drawing (dimensions all into mm)

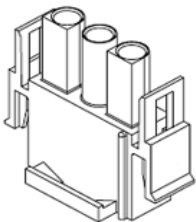


Wire to Wire Serie Pitch 6,35mm

Part No.: **T68M029**

Customer:

DRW:	Jason	CHKD	Wilson	MATL:	Wilson	TOLERANCE	Mason	DATE	02.04.2009
APPD:	Schumi			FINISH	Jamy		Sheet No.	1 from 3	



Dimension Informations about Wafer

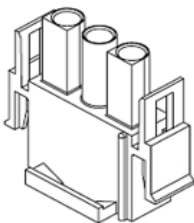
Pos.	Dimension (mm)					
	A	B	C	D	E	F
02P	6,35	12,97				
03P	12,70	20,32				
04P	19,05	26,67				
05P	25,40	33,02				
06P	31,75	39,37				
07P	38,10	45,72				
08P	44,45	52,07				
09P	50,80	58,42				
10P	57,15	64,77				

Pos.	Dimension (mm)					
	A	B	C	D	E	F

Wire to Wire Serie Pitch 6,35mm	
Part No.:	T68M029
Customer:	

DRW:	Jason	CHKD	Wilson	MATL:	Wilson	TOLERANCE	Mason	DATE	02.04.2009
APPD:	Schumi			FINISH	Jamy		Sheet No.	2 from 3	

EDCON-COMPONENTS



Ordering Informations

Serie	Number of	Body	ROHS	Packing						
T68M029	02	V0	R	BU						

02 = 2Pos.	V0 = Material	R = ROHS Conform	BU = Bulk (Standard)
03 = 3Pos.	V2 = Material	N = NON ROHS Conform	
04 = 4Pos.			
05 = 5Pos.			
06 = 6Pos.			
08 = 8Pos.			

Wire to Wire Serie Pitch 6,35mm

Part No.: **T68M029**

DRW:	Jason	CHKD	Wilson	MATL:	Wilson	TOLERANCE	Mason	DATE	02.04.2009
APPD:	Schumi			FINISH	Jamy		Sheet No.		3 from 3

Customer:

www.edcon-components.com

email: info@edcon-components.com