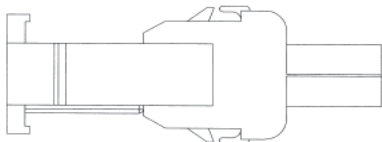


EDCON-COMPONENTS

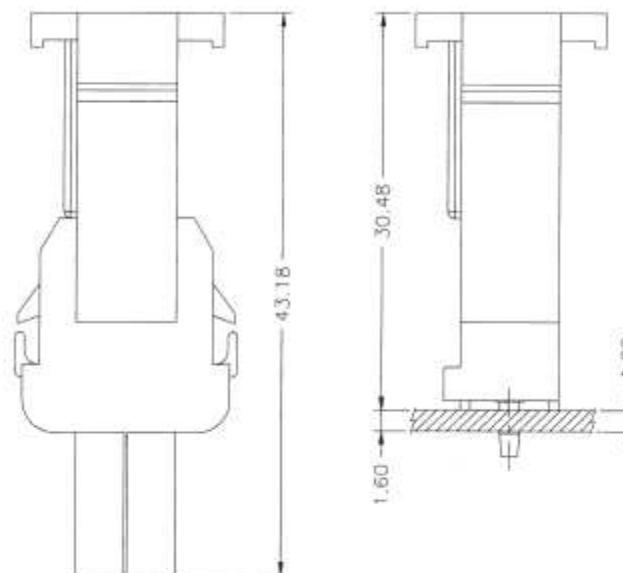


Specifications

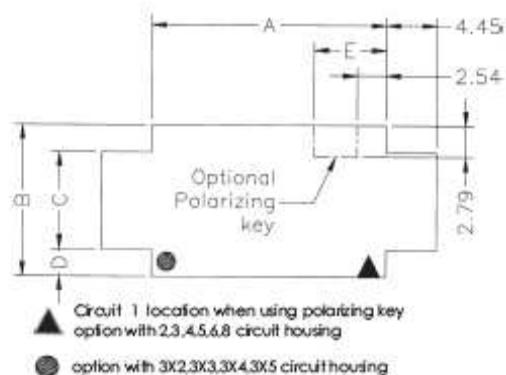
Voltage Rating: 600VAC /DC
 Current Rating 15AC / DC
 Operating Temperature . -25°C ~ +85°C
 Contact Resistance 3,5m Ω Max.
 Withstanding Voltage 5000V AC/minute
 Insulation Resistance 1000M Ω Min.

Material: Nylon 66, UL94V-0 or UL94V-2
 Material Pin Brass / Tin-Plated

Drawing (dimensions all into mm)



Panel Hole Size

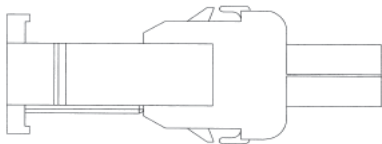


Wire to Wire Serie Pitch 6,35mm

Part No.: T68M025

DRW:	Jason	CHKD	Wilson	MATL:	Wilson	TOLERANCE	Mason	DATE	02.04.2009	Customer:
APPD:	Schumi			FINISH	Jamy		Sheet No.	1 from 3		

EDCON-COMPONENTS



Ordering Informations

Serie	Number of	Body	ROHS	Packing						
T68M025	xx	V0	R	BU						

xx = Look Dimension	V0= Material	R= ROHS Conform	BU= Bulk (Standard)
	V2= Material	N= NON ROHS Conform	

Wire to Wire Serie Pitch 6,35mm
Part No.: T68M025
Customer:

DRW:	Jason	CHKD	Wilson	MATL:	Wilson	TOLERANCE	Mason	DATE	02.04.2009
APPD:	Schumi			FINISH	Jamy		Sheet No.		3 from 3

www.edcon-components.com

email: info@edcon-components.com