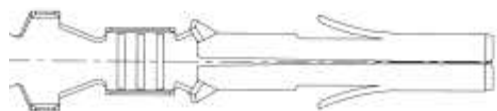


EDCON-COMPONENTS

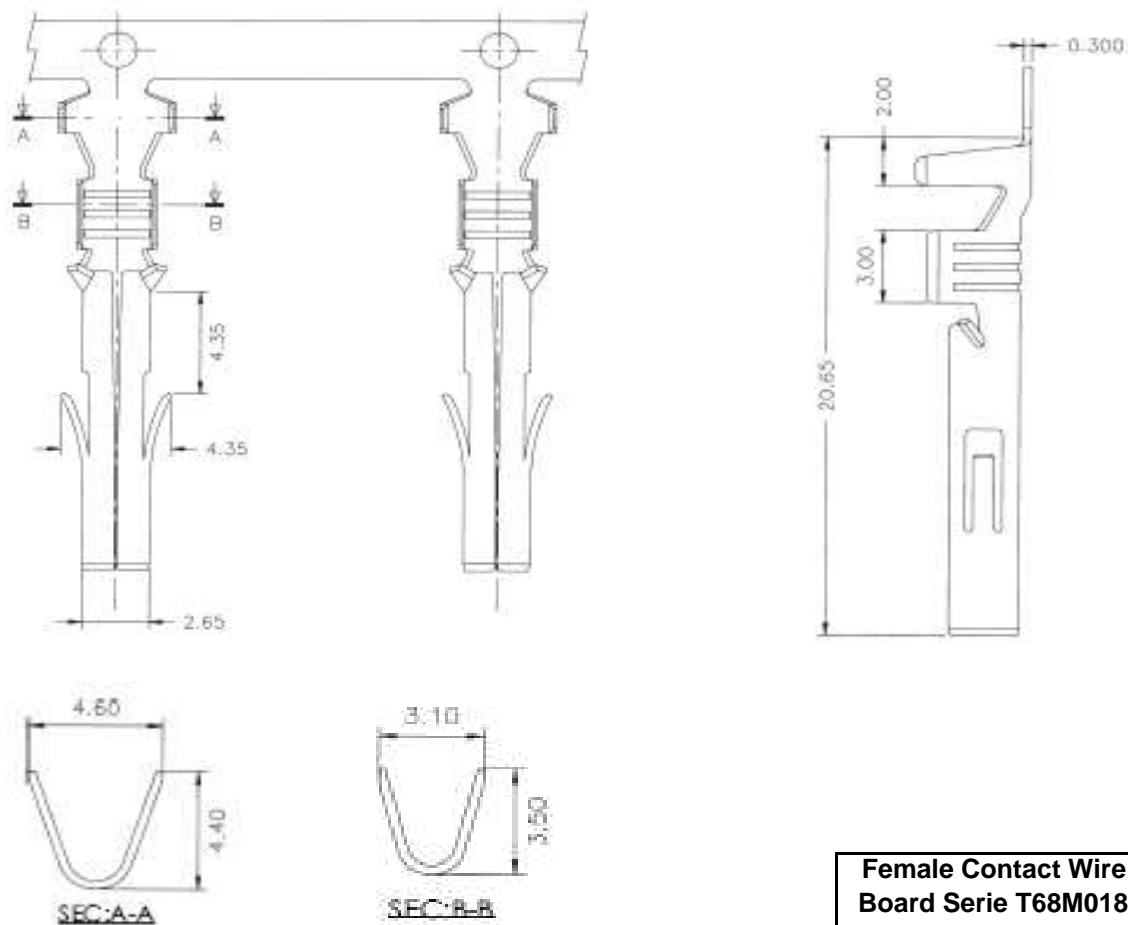


Specifications

Voltage Rating: 600VAC /DC
 Current Rating 15AC / DC
 Operating Temperature . -25°C ~ +85°C
 Contact Resistance 3,5m Ω Max.

Material Pin Brass / Tin-Plated
 Wire Dimension: AWG 14~20
 Insulation D: 3,30mm (max)

Drawing (dimensions all into mm)



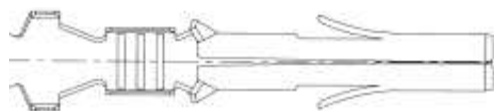
**Female Contact Wire to Wire /
 Board Serie T68M018-021+025
 Pitch 6,35mm**

Part No.: **T68M024**

DRW:	Jason	CHKD	Wilson	MATL:	Wilson	TOLERANCE	Mason	DATE	02.04.2009
APPD:	Schumi			FINISH	Jamy		Sheet No.	1 from 2	

Customer:

EDCON-COMPONENTS



Ordering Informations

Serie	Number of	Material	C- Plating	ROHS	Packing					
T68M024	F	BR	T	R	TR502					

F = Female Terminal	BR = Brass	T = TIN Plated Standard	R = ROHS Conform N = NON ROHS Conform	TR502 = Tape Reel 5000PCS
		GF = Gold Flash Plated MOQ on request		

**Female Contact Wire to Wire / Board Serie T68M018-021+025
Pitch 6,35mm**

Part No.: **T68M024**

DRW:	Jason	CHKD	Wilson	MATL:	Wilson	TOLERANCE	Mason	DATE	02.04.2009
APPD:	Schumi			FINISH	Jamy		Sheet No.		2 from 2

Customer:

www.edcon-components.com

email: info@edcon-components.com