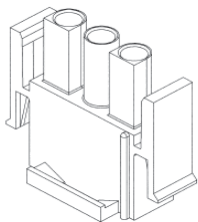


EDCON-COMPONENTS

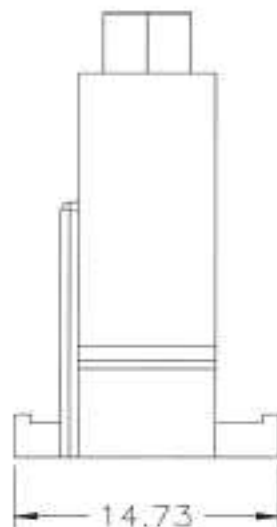
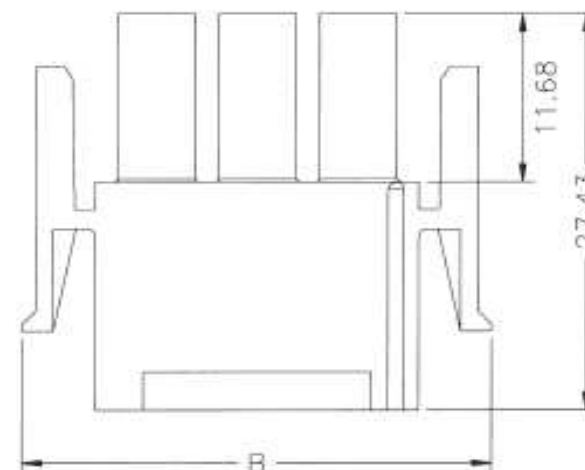
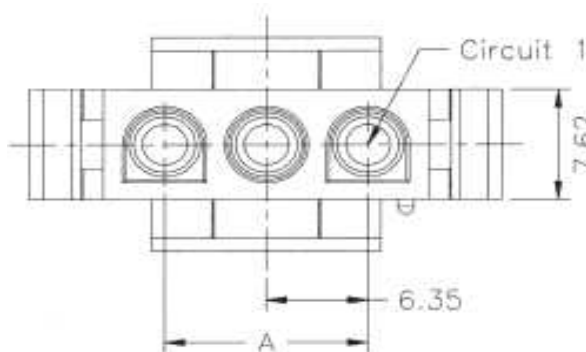


Specifications

Voltage Rating: 600VAC /DC
Current Rating 15AC / DC
Operating Temperature . -25°C ~ +85°C
Contact Resistance 3,5m Ω Max.
Withstanding Voltage 5000V AC/minute
Insulation Resistance 1000M Ω Min.

Material: Nylon 66, UL94V-0 or UL94V-2

Drawing (dimensions all into mm)



Wire to Wire Serie Pitch 6,35mm

Part No.: **T68M021**

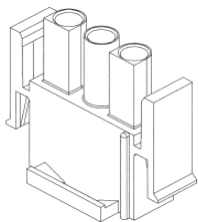
Customer:

| | | | | | | | | | |
|-------|--------|------|--------|--------|--------|-----------|-----------|----------|------------|
| DRW: | Jason | CHKD | Wilson | MATL: | Wilson | TOLERANCE | Mason | DATE | 02.04.2009 |
| APPD: | Schumi | | | FINISH | Jamy | | Sheet No. | 1 from 3 | |

www.edcon-components.com

email: info@edcon-components.com

EDCON-COMPONENTS



Ordering Informations

| Serie | Number of | Body | ROHS | Packing | | | | | | |
|----------------|-----------|-----------|----------|-----------|--|--|--|--|--|--|
| T68M021 | 02 | V0 | R | BU | | | | | | |

| | | | |
|-------------------|----------------------|-----------------------------|-----------------------------|
| 02 = 2Pos. | V0 = Material | R = ROHS Conform | BU = Bulk (Standard) |
| 03 = 3Pos. | V2 = Material | N = NON ROHS Conform | |
| 04 = 4Pos. | | | |
| 05 = 5Pos. | | | |
| 06 = 6Pos. | | | |
| 08 = 8Pos. | | | |

| |
|--|
| Wire to Wire Serie Pitch 6,35mm |
| Part No.: T68M021 |
| Customer: |

| | | | | | | | | | |
|-------|--------|------|--------|--------|--------|-----------|-----------|------|------------|
| DRW: | Jason | CHKD | Wilson | MATL: | Wilson | TOLERANCE | Mason | DATE | 02.04.2009 |
| APPD: | Schumi | | | FINISH | Jamy | | Sheet No. | | 3 from 3 |

www.edcon-components.com

email: info@edcon-components.com