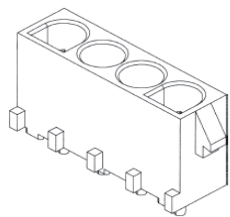


EDCON-COMPONENTS

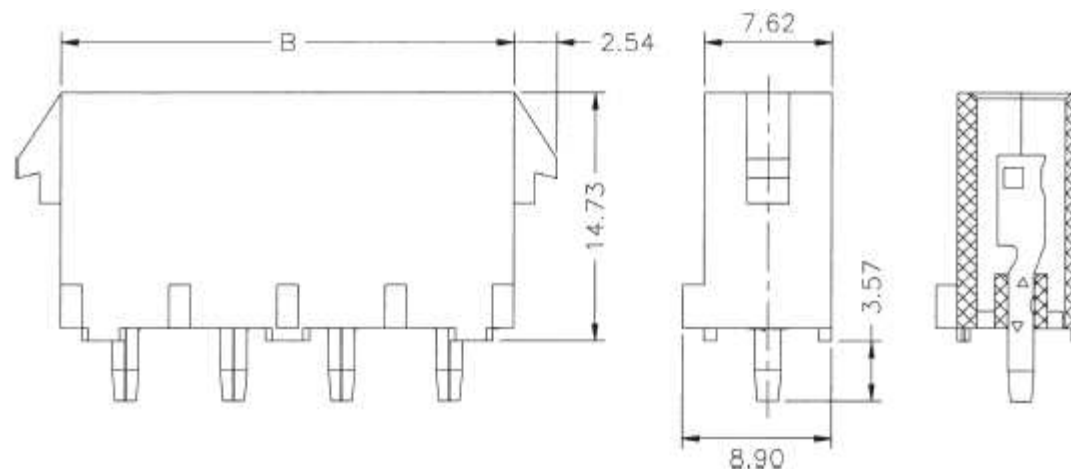


Specifications

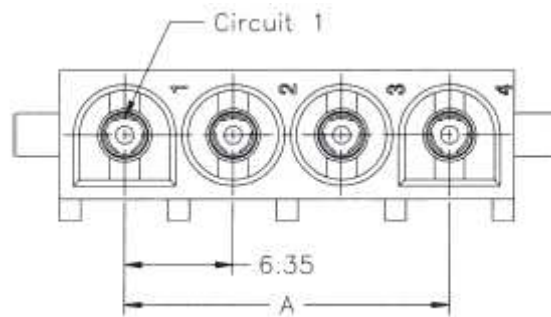
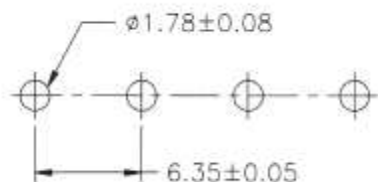
Voltage Rating: 600VAC /DC
 Current Rating 15AC / DC
 Operating Temperature . -25°C ~ +85°C
 Contact Resistance 3,5m Ω Max.
 Withstanding Voltage 5000V AC/minute
 Insulation Resistance 1000M Ω Min.

Material: Nylon 66, UL94V-0 or UL94V-2
 Material Pin Brass / Tin-Plated

Drawing (dimensions all into mm)



PCB Layout



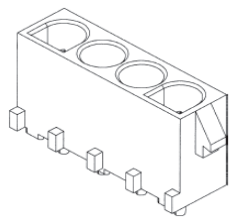
**Female Wire to Board Serie
Pitch 6,35mm w/o Polarisation**

Part No.: **T68M006**

Customer:

DRW:	Jason	CHKD	Wilson	MATL:	Wilson	TOLERANCE	Mason	DATE	02.04.2009
APPD:	Schumi			FINISH	Jamy		Sheet No.	1 from 4	

EDCON-COMPONENTS



Ordering Informations

Serie	Number of	Body	Contact	ROHS	Packing					
T68M006	02	V0	T	R	BU					

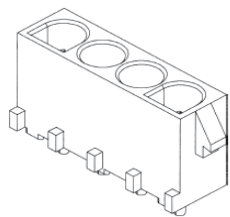
02 = 1x2Pos.	V0= Material	T= Tin Plated (Standard)	R= ROHS Conform	BU= Bulk (Standard)
03 = 1x3Pos.	V2= Material		N= NON ROHS Conform	
04 = 1x4Pos.		G= Gold Flash Plated (MOQ on request)		
05 = 1x5Pos.				
06 = 1x6Pos.				
08 = 1x8Pos.				

Female Wire to Board Serie Pitch 6,35mm w/o Polarisation	
Part No.:	T68M006
Customer:	

DRW:	Jason	CHKD	Wilson	MATL:	Wilson	TOLERANCE	Mason	DATE	02.04.2009
APPD:	Schumi			FINISH	Jamy		Sheet No.		3 from 4

www.edcon-components.com

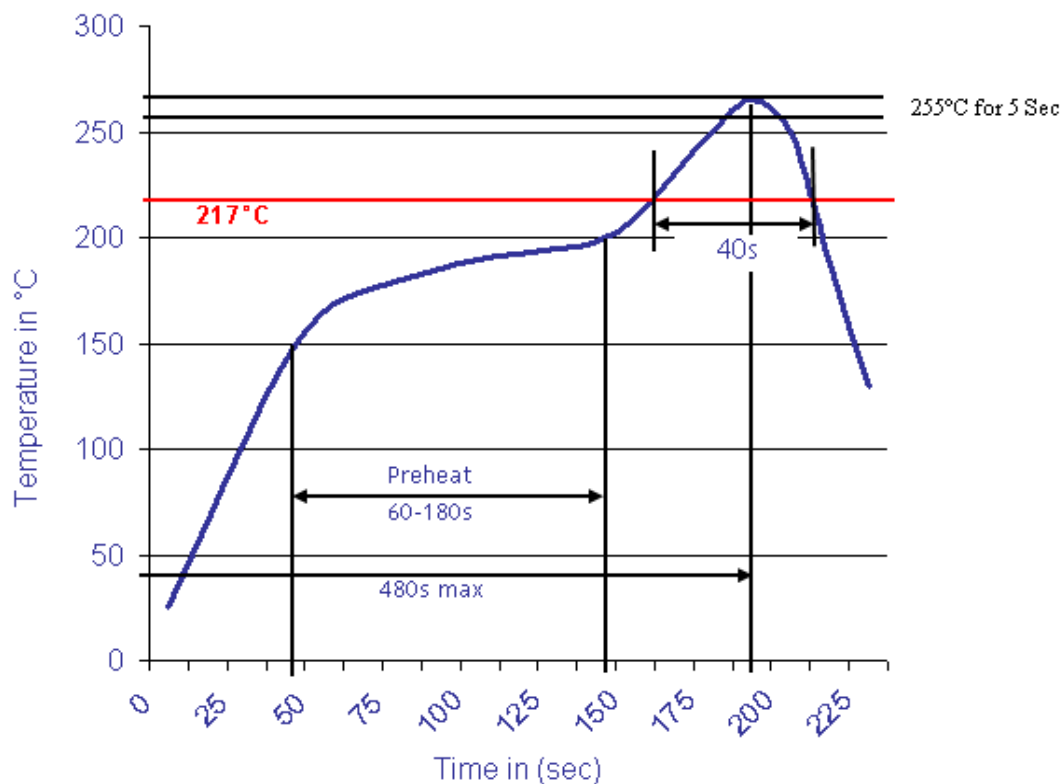
email: info@edcon-components.com



Soldering Profile

Lead Free Curve

Classification Reflow Profile (JEDEC J-STD-020C)



Female Wire to Board Serie
Pitch 6,35mm w/o Polarisation

Part No.: **T68M006**

DRW:	Jason	CHKD	Wilson	MATL:	Wilson	TOLERANCE	Mason	DATE	02.04.2009
APPD:	Schumi			FINISH	Jamy		Sheet No.		4 from 4

Customer: