



### Technical Specification

Insulator Material:	FR-Nylon 66 + 15% GF UL94V-0
Contact Resistance:	30m Ohm max.
Insulator Resistance:	5000 M Ohm max.
Temperature Rating:	.-55°C ~ +105°C
Contact Material:	Phosphor Bronze
Contact:	Tin Plated
Durability:	50 Cycles min.
Application for:	Lithium Coin Type
Battery Dimension:	D= 20,0mm / T=3,2mm

### Ordering Information

Serie	Contact Material	Contact Plating	ROHS	Packing		
-------	------------------	-----------------	------	---------	--	--

<b>B23011</b>	<b>PB</b>	<b>TN</b>	<b>R</b>	<b>TY</b>		
---------------	-----------	-----------	----------	-----------	--	--

<b>PB=</b> Phosphor Bronze	<b>TN=</b> Tin plated	<b>N=</b> Non ROHS	<b>TY=</b> Tray
		<b>R=</b> ROHS Conform	

### Battery Coin Cell Holder

Part No.: **B23011**

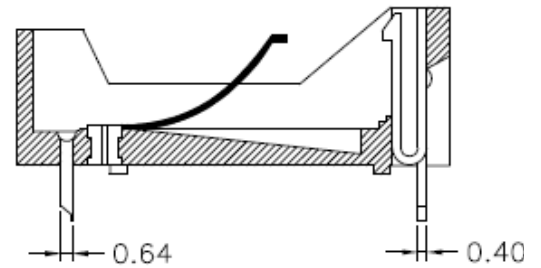
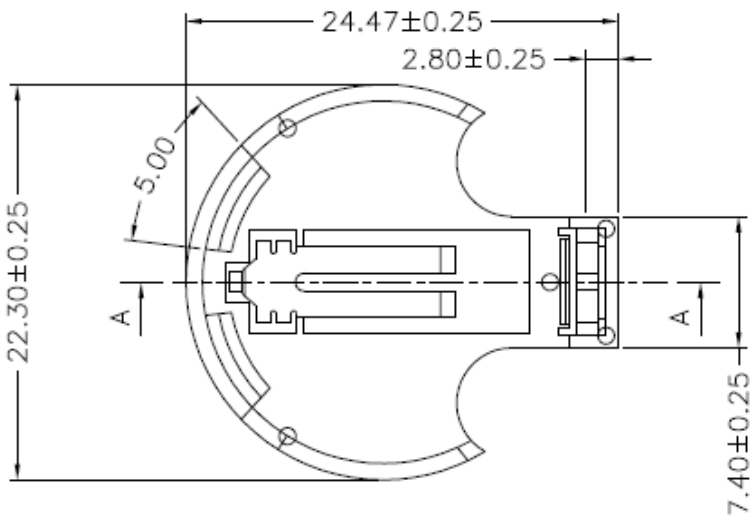
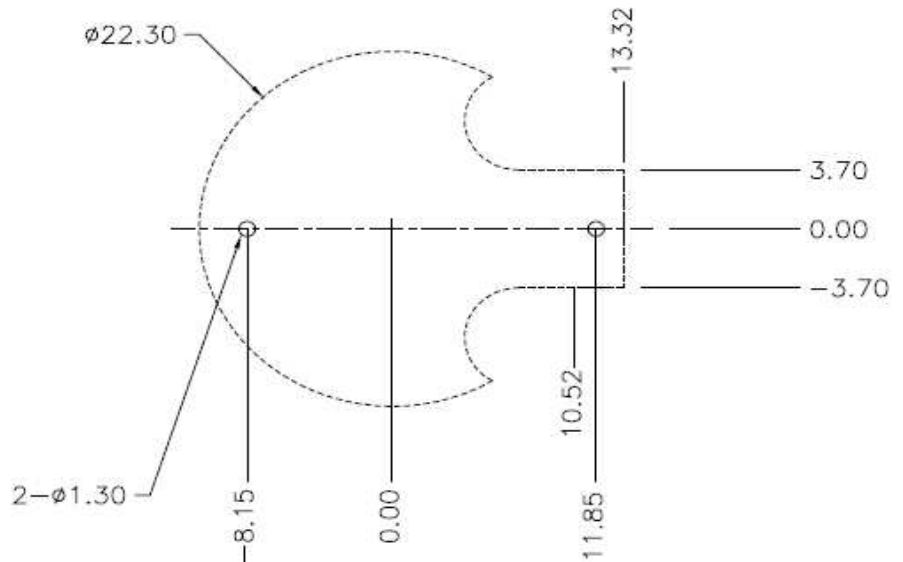
Customer:

DRW:	Jason	CHKD	Jules	MATL:	Wu	DATE	12.03.2011
APPD:	Join			FINISH	Shieh	Sheet	1 from 3

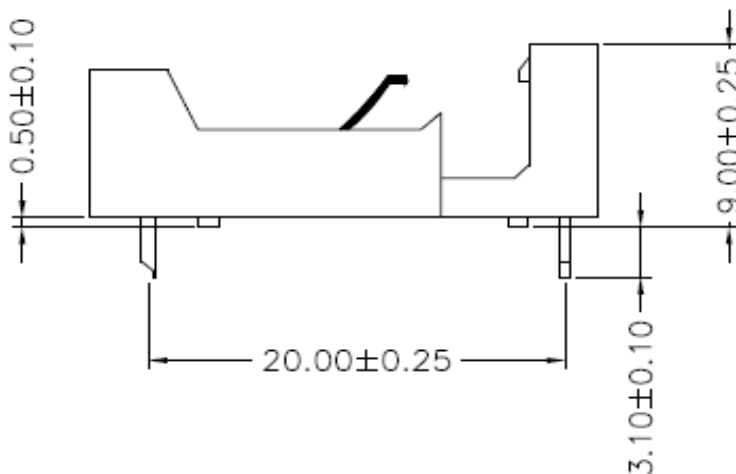


**Technical Dimensions**

**PCB Layout**



SECTION A-A

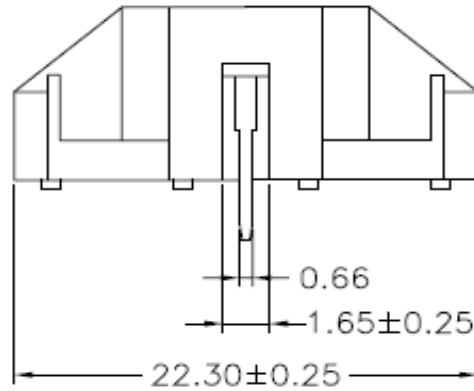


<b>Battery Coin Cell Holder</b>	
Part No.:	<b>B23011</b>
Customer:	

DRW:	Jason	CHKD	Jules	MATL:	Wu	DATE	12.03.2011
APPD:	Join			FINISH	Shieh	Sheet	2 from 3

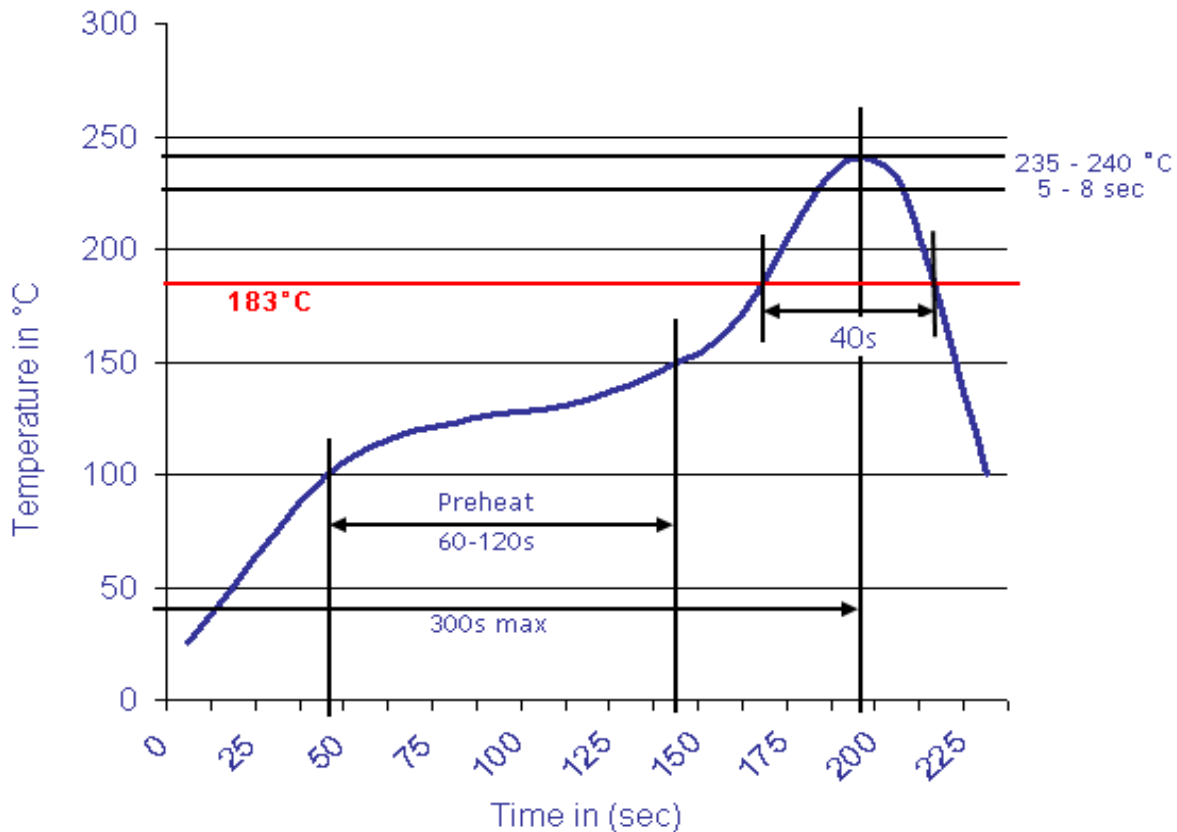


Technical Drawing



Soldering Profile Curve

Classification Reflow Profile (JEDEC J-STD-020C)



<b>Battery Coin Cell Holder</b>	
Part No.:	<b>B23011</b>
Customer:	

DRW:	Jason	CHKD	Jules	MATL:	Wu	DATE	12.03.2011
APPD:	Join			FINISH	Shieh	Sheet	3 from 3