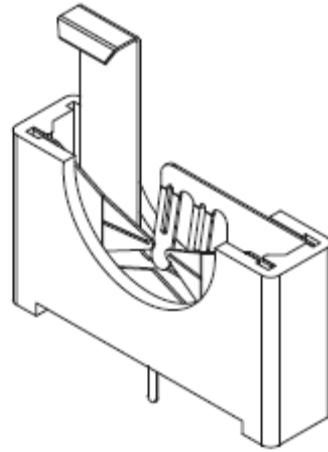




**Technical Specification**

Insulator Material: PBT  
 Contact Resistance: 20m Ohm max.  
 Insulator Resistance: 1000 M Ohm max.  
 Temperature Rating: -25°C ~ +85°C  
 Contact Material: Phosphor Bronze  
 Contact: Tin Plated  
 Durability: 50 Cycles min.  
 Application for: Coin Type  
 Battery Dimension: 2032



**Ordering Information**

Serie	Contact Material	Contact Plating	ROHS	Packing		
-------	------------------	-----------------	------	---------	--	--

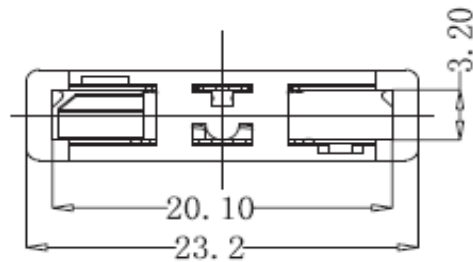
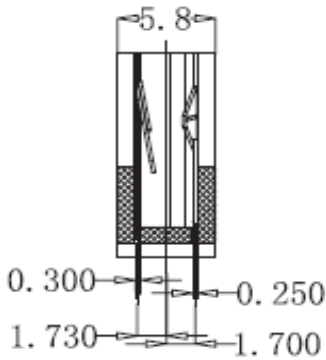
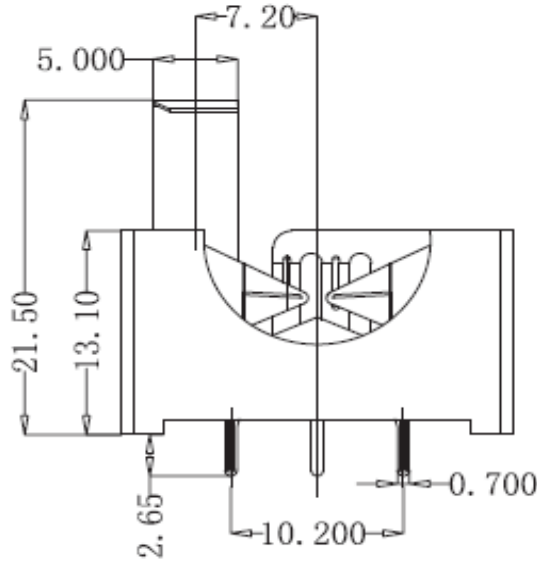
<b>B23010</b>	-	<b>PB</b>	<b>TN</b>	<b>R</b>	<b>TY</b>	
---------------	---	-----------	-----------	----------	-----------	--

<b>PB=</b> Phosphor Bronze	<b>TN=</b> Tin plated	<b>N=</b> Non ROHS	<b>TY=</b> Tray
		<b>R=</b> ROHS Conform	

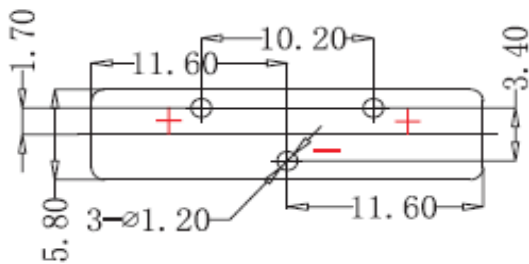
<b>Battery Coin Cell Holder</b>							
Part No.:	<b>B23010</b>						
Customer:							
DRW:	Jason	CHKD	Jules	MATL:	Wu	DATE	01.11.2018
APPD:	Join			FINISH	Shieh	Sheet	1 from 3



**Technical Dimensions**



**PCB Layout (mm)**



**Battery Coin Cell Holder**

Part No.: **B23010**

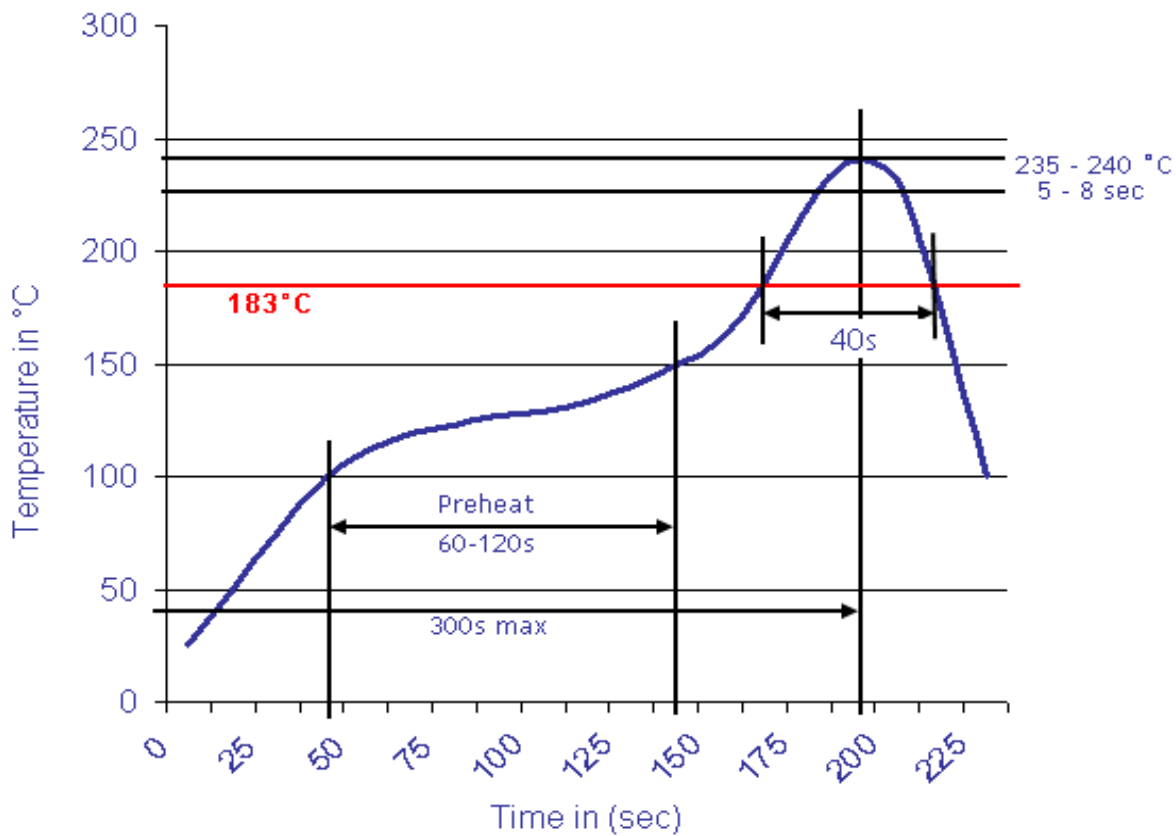
Customer:

DRW:	Jason	CHKD	Jules	MATL:	Wu	DATE	01.11.2018
APPD:	Join			FINISH	Shieh	Sheet	2 from 3



**Soldering Profile Curve**

**Classification Reflow Profile (JEDEC J-STD-020C)**



**Battery Coin Cell Holder**

Part No.: **B23010**

Customer:

DRW:	Jason	CHKD	Jules	MATL:	Wu	DATE	01.11.2018
APPD:	Join			FINISH	Shieh	Sheet	3 from 3