



Technical Specification

Insulator Material: PBT
 Contact Resistance: 30m Ohm max.
 Insulator Resistance: 5000 M Ohm max.
 Temperature Rating: -55°C ~ 105°C
 Contact Material: Phosphor Bronze
 Contact: Tin Plated
 Durability: 50 Cycles min.
 Application for: Coin Type
 Battery Type: 2032

Ordering Information

Serie	Contact Material	Contact Plating	ROHS	Packing		
-------	------------------	-----------------	------	---------	--	--

B23009	-	PB	TN	R	TY	
---------------	---	-----------	-----------	----------	-----------	--

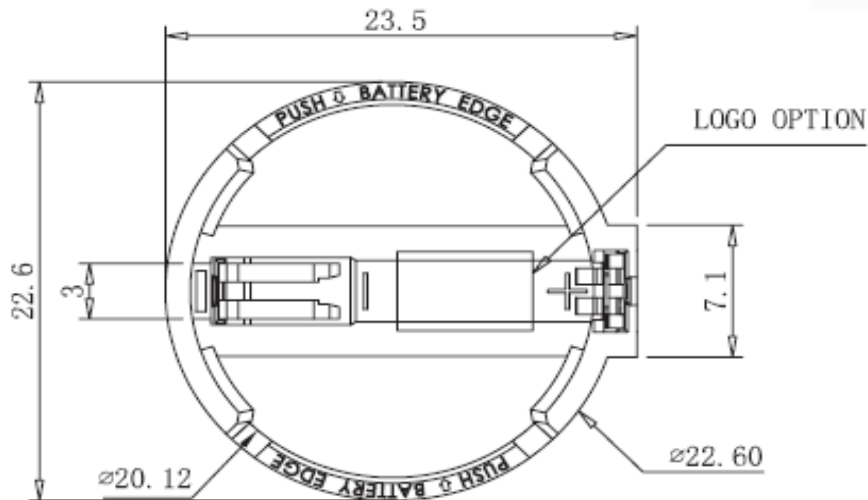
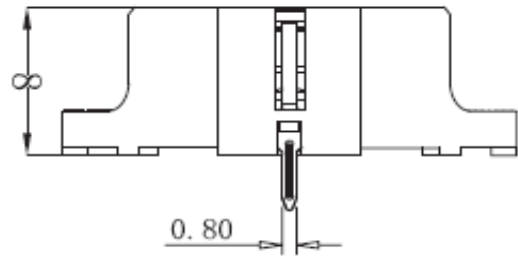
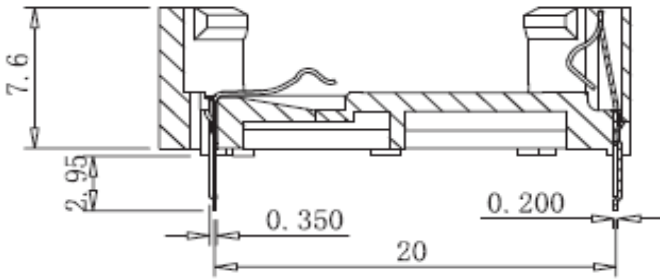
PB= Phosphor Bronze	TN= Tin plated	N= Non ROHS	TY= Tray
		R= ROHS Conform	

Battery Coin Cell Holder	
Part No.:	B23009
Customer:	
DRW:	Jason
APPD:	Join

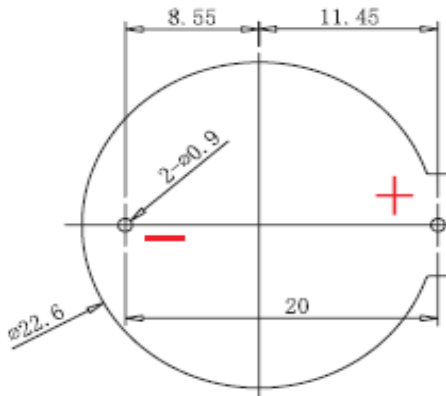
CHKD	Jules	MATL:	Wu	DATE	01.11.2018
		FINISH	Shieh	Sheet	1 from 3



Technical Dimensions



PCB Layout (mm)



Battery Coin Cell Holder

Part No.: **B23009**

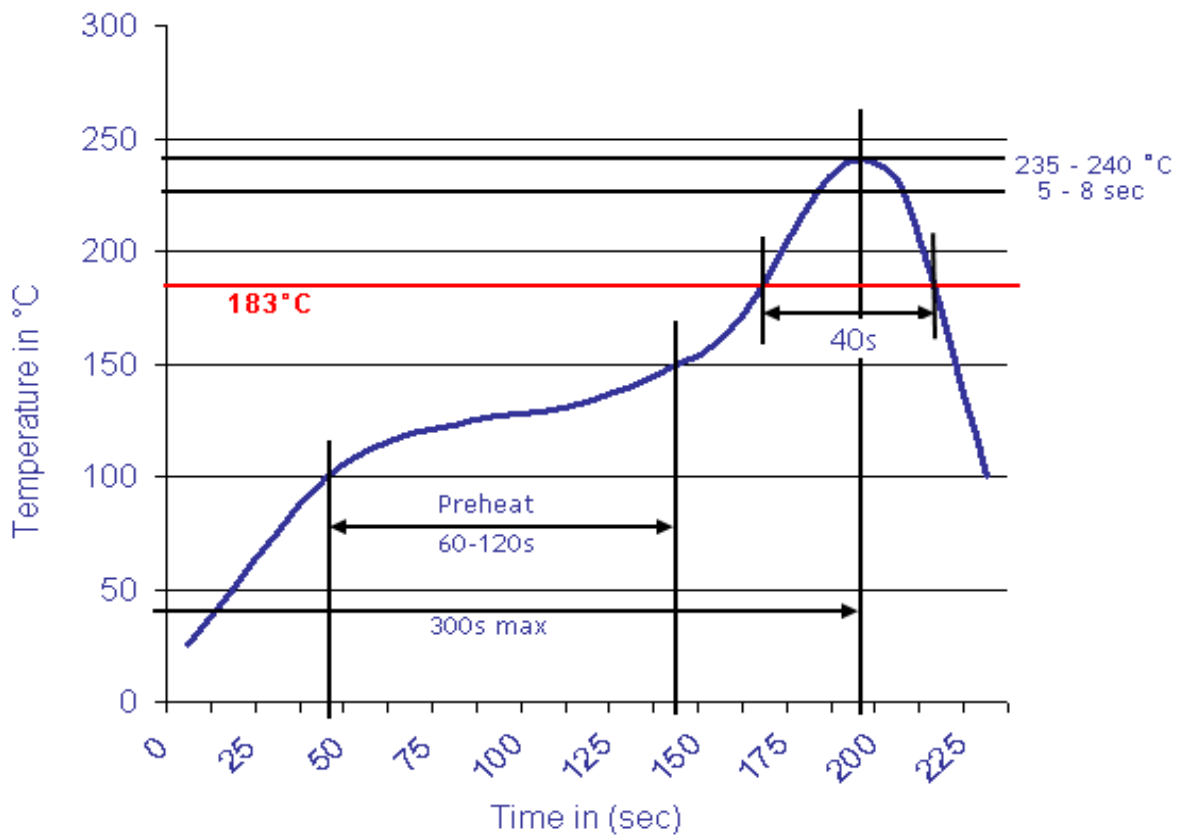
Customer:

DRW:	Jason	CHKD	Jules	MATL:	Wu	DATE	01.11.2018
APPD:	Join			FINISH	Shieh	Sheet	2 from 3



Soldering Profile Curve

Classification Reflow Profile (JEDEC J-STD-020C)



Battery Coin Cell Holder

Part No.: **B23009**

Customer:

DRW:	Jason	CHKD	Jules	MATL:	Wu	DATE	01.11.2018
APPD:	Join			FINISH	Shieh	Sheet	3 from 3