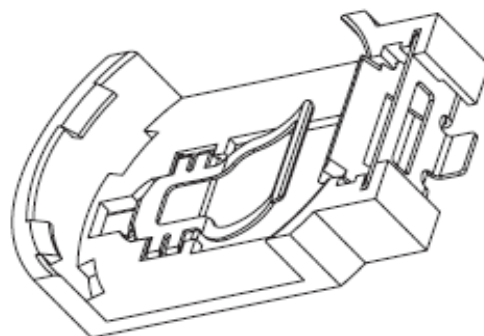




Technical Specification

Insulator Material:	PPS + 40% GF UL94V-0
Body Colour:	Coffee (4975C)
Contact Resistance:	30m Ohm max.
Insulator Resistance:	1000 M Ohm max.
Dielectric Withstand Voltage:	1000VAC for 1 Minute
Temperature Rating:	-.55°C ~ 150°C
Contact Material:	Phosphor Bronze (C5191)
Contact:	Gold AU 1μ"
Durability:	50 Cycles min.
Application for:	Lithium Coin Type
Battery Dimension:	2032



Ordering Information

Serie	Contact Material	Contact Plating	ROHS	Packing		
-------	------------------	-----------------	------	---------	--	--

B23006	-	PB	TN	R	TY	
---------------	---	-----------	-----------	----------	-----------	--

PB= Phosphor Bronze	TN= Tin plated	N= Non ROHS	TY= Tray
		R= ROHS Conform	

Battery Coin Cell Holder

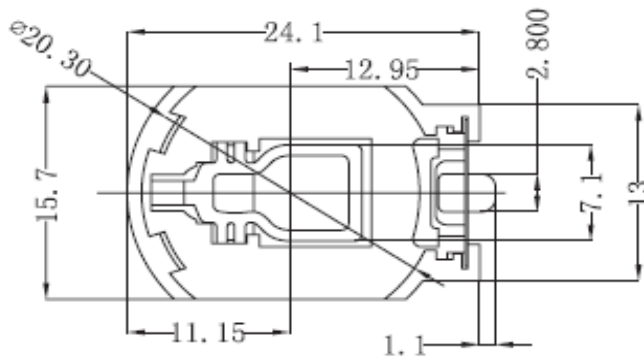
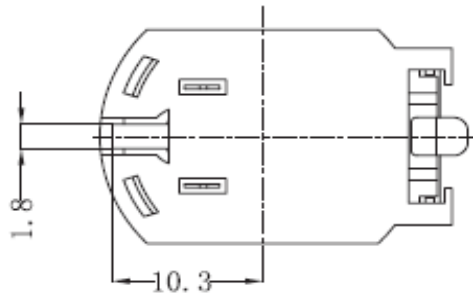
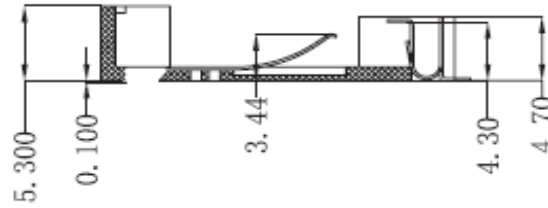
Part No.: **B23006**

Customer:

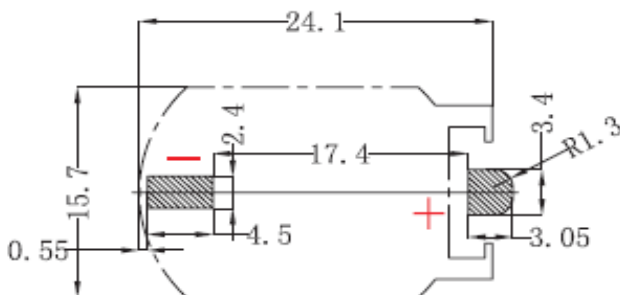
DRW:	Jason	CHKD	Jules	MATL:	Wu	DATE	03.08.2023
APPD:	Join			FINISH	Shieh	Sheet	1 from 3



Technical Dimensions



PCB Layout (mm)



Battery Coin Cell Holder

Part No.: **B23006**

Customer:

DRW:	Jason	CHKD	Jules	MATL:	Wu	DATE	03.08.2023
APPD:	Join			FINISH	Shieh	Sheet	2 from 3

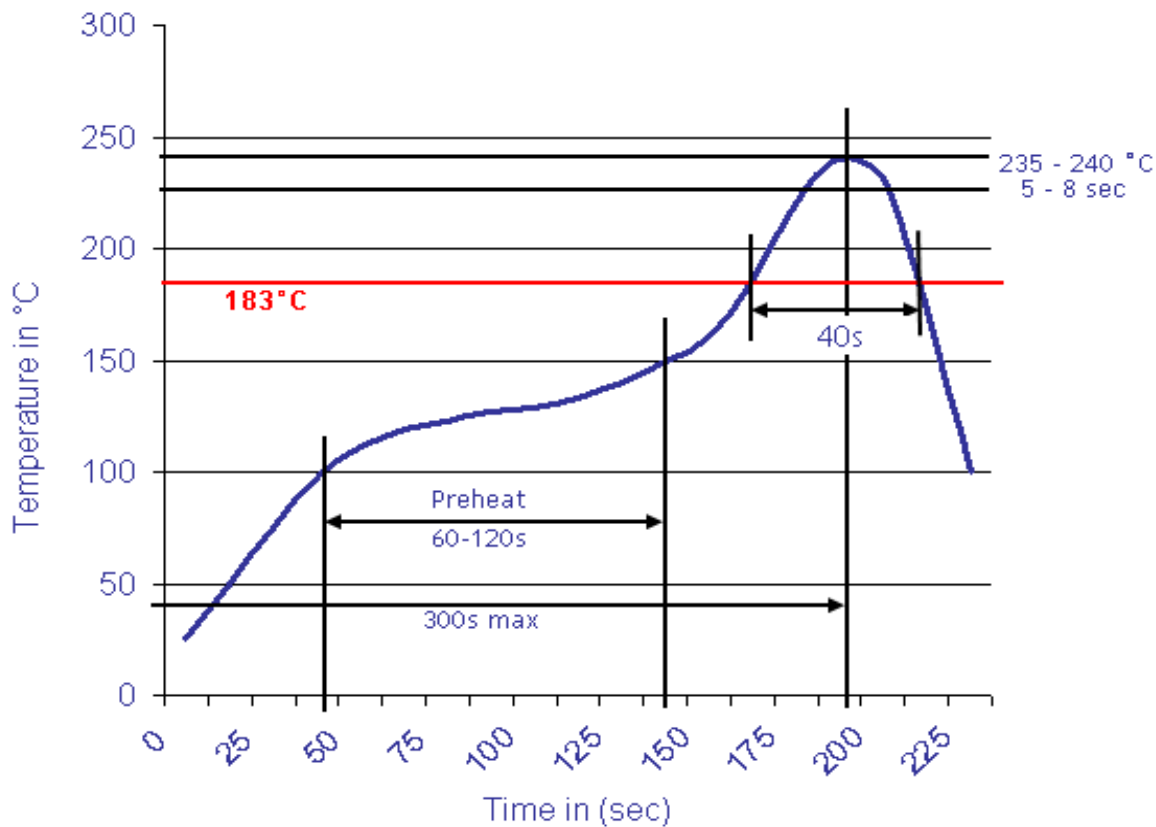
Copyright by S.Tiede



Technical Drawing

Soldering Profile Curve

Classification Reflow Profile (JEDEC J-STD-020C)



Battery Coin Cell Holder

Part No.: **B23006**

Customer:

DRW:	Jason	CHKD	Jules	MATL:	Wu	DATE	03.08.2023
APPD:	Join			FINISH	Shieh	Sheet	3 from 3