



Technical Specification

Insulator Material: LCP
 Contact Resistance: 20m Ohm max.
 Insulator Resistance: 1000 M Ohm max.
 Temperature Rating: -55°C ~ 150°C
 Contact Material: Phosphor Bronze
 Contact: Tin Plated
 Durability: 50 Cycles min.
 Application for: Lithium Coin Type
 Battery Dimension: D= 20,0mm / T=3,2mm

Ordering Information

| Serie | Contact Material | Contact Plating | ROHS | Packing | | |
|-------|------------------|-----------------|------|---------|--|--|
|-------|------------------|-----------------|------|---------|--|--|

| | | | | | | |
|---------------|-----------|-----------|----------|-----------|--|--|
| B23005 | PB | TN | R | TY | | |
|---------------|-----------|-----------|----------|-----------|--|--|

| | | | |
|----------------------------------|--------------------------|---------------------------|-----------------|
| PB= Phosphor Bronze | TN= Tin plated | N= Non ROHS | TY= Tray |
| | | R= ROHS Conform | |

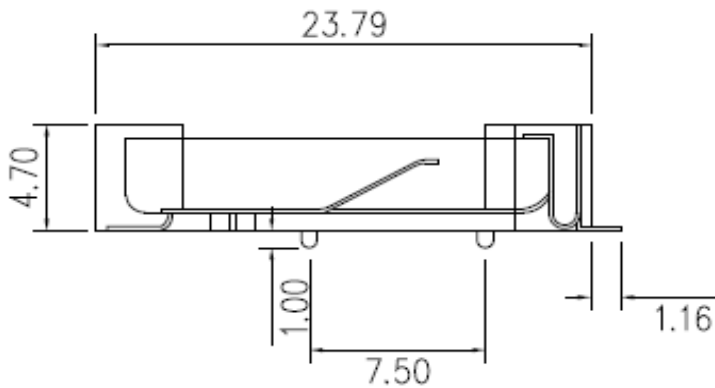
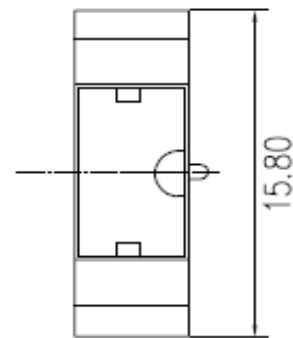
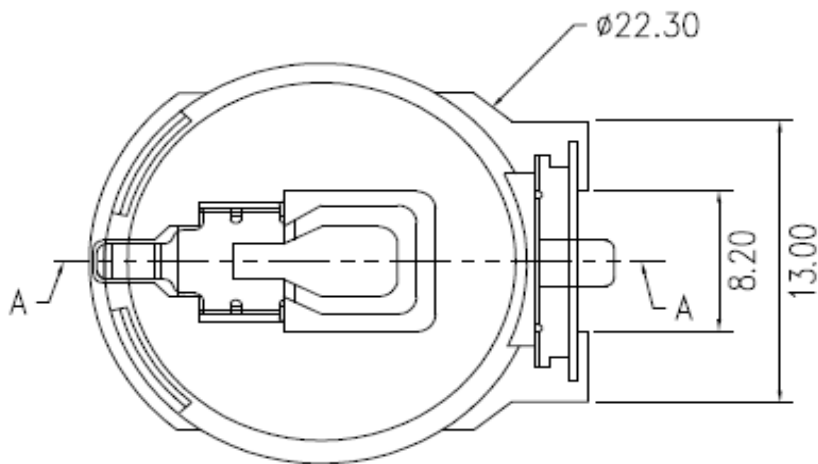
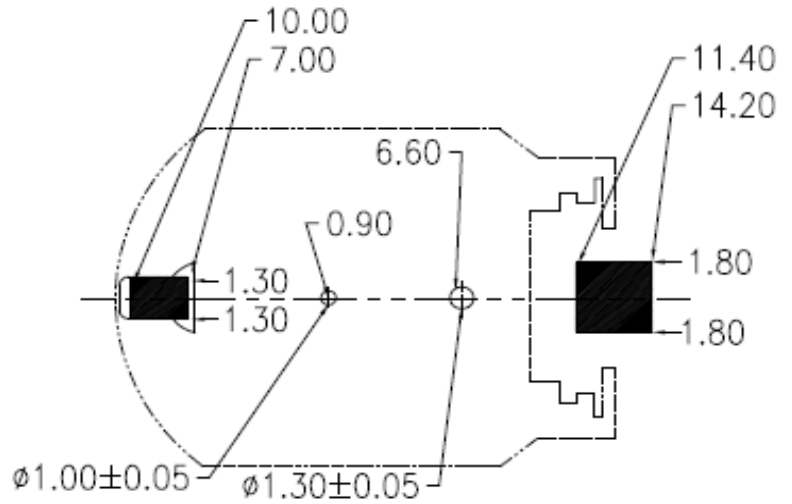
| | |
|---------------------------------|---------------|
| Battery Coin Cell Holder | |
| Part No.: | B23005 |
| Customer: | |

| | | | | | | | |
|-------|-------|------|-------|--------|-------|-------|------------|
| DRW: | Jason | CHKD | Jules | MATL: | Wu | DATE | 12.03.2011 |
| APPD: | Join | | | FINISH | Shieh | Sheet | 1 from 3 |



Technical Dimensions

PCB Layout

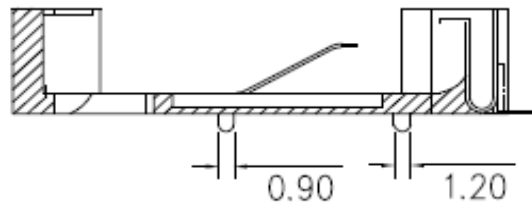


| | |
|---------------------------------|---------------|
| Battery Coin Cell Holder | |
| Part No.: | B23005 |
| Customer: | |

| | | | | | | | |
|-------|-------|------|-------|--------|-------|-------|------------|
| DRW: | Jason | CHKD | Jules | MATL: | Wu | DATE | 12.03.2011 |
| APPD: | Join | | | FINISH | Shieh | Sheet | 2 from 3 |



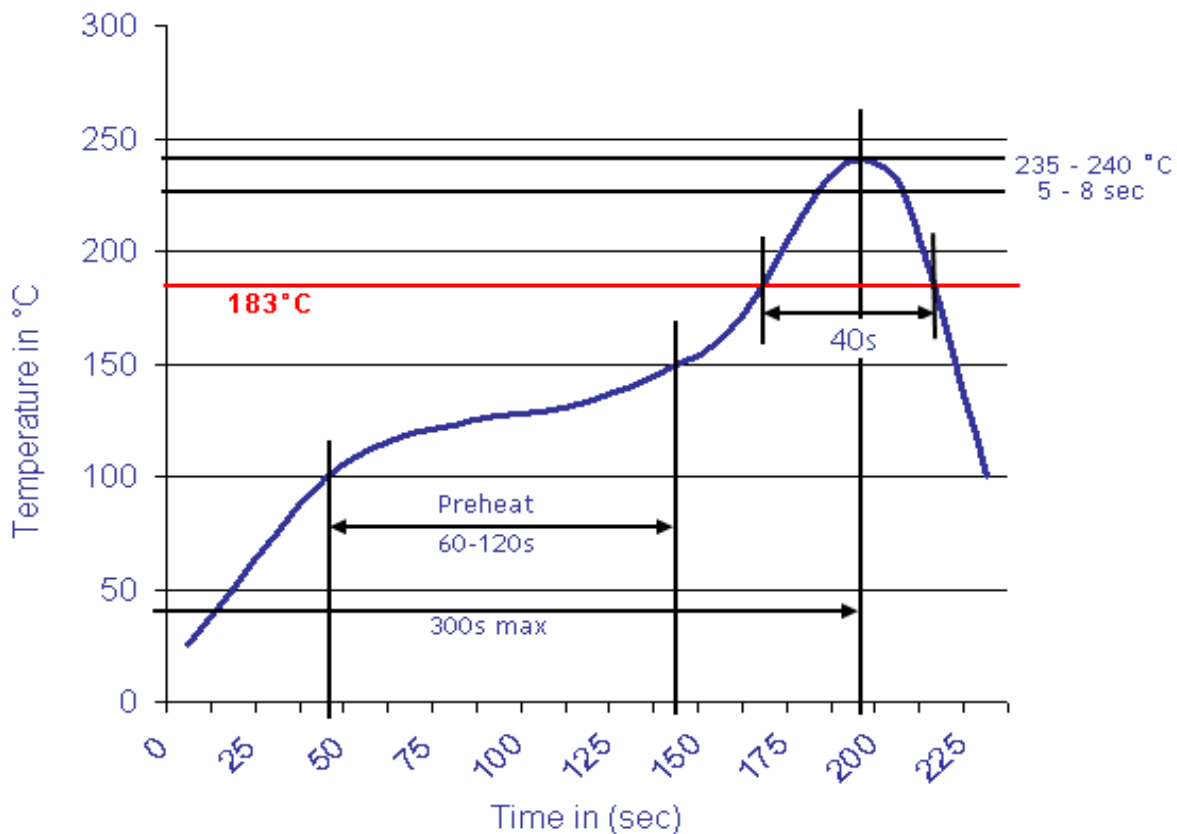
Technical Drawing



SECTION A-A

Soldering Profile Curve

Classification Reflow Profile (JEDEC J-STD-020C)



Battery Coin Cell Holder

Part No.: **B23005**

Customer:

| | | | | | | | |
|-------|-------|------|-------|--------|-------|-------|------------|
| DRW: | Jason | CHKD | Jules | MATL: | Wu | DATE | 12.03.2011 |
| APPD: | Join | | | FINISH | Shieh | Sheet | 3 from 3 |