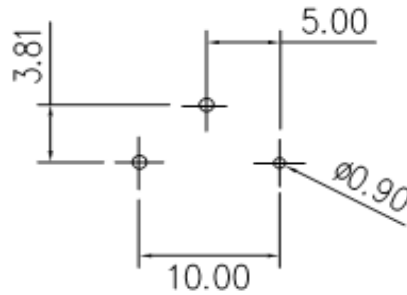
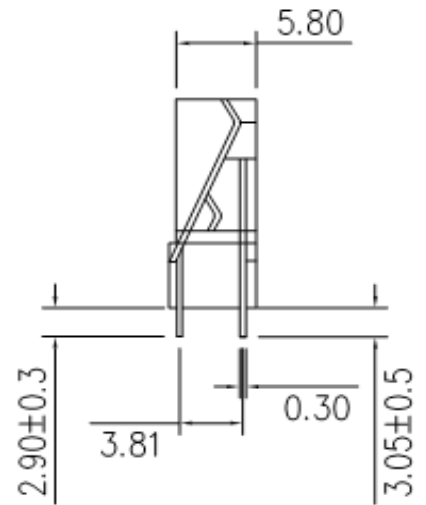
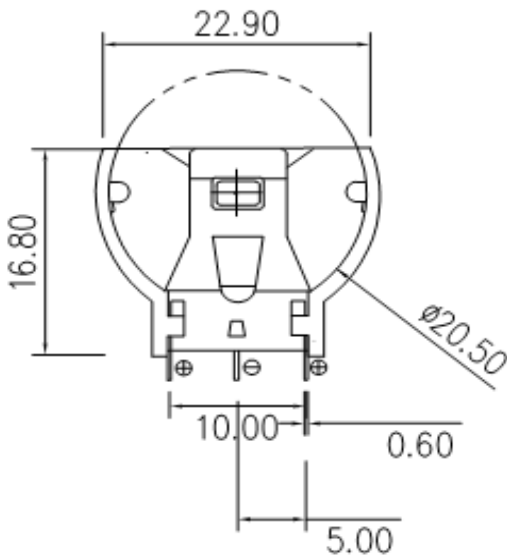




Technical Specification

Insulator Material: FR-Nylon with 15% Glass Filled
 Contact Resistance: 30m Ohm max.
 Insulator Resistance: 5000 M Ohm max.
 Temperature Rating: -55°C ~ 105°C
 Contact Material: Phosphor Bronze
 Contact: Tin Plated over Nickel
 Durability: 50 Cycles min.
 Application for: 3V Lithium Type 2032



Ordering Information

Serie	ROHS	Packing				
B23001	R	B				

N = non ROHS	B = Bulk-Ware
R = ROHS	TY =Tray

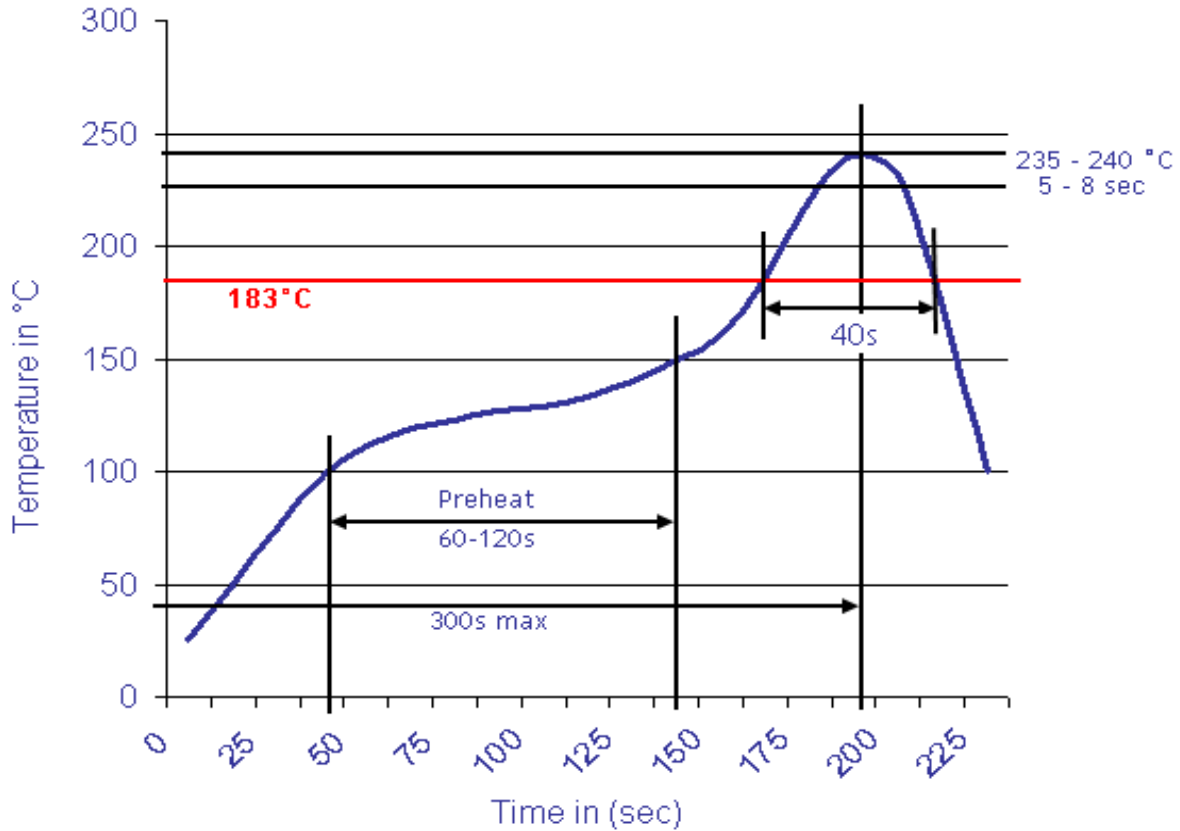
Coin Cell Holder	
Part No.:	B23001
Customer:	

DRW:	Jason	CHKD	Jules	MATL:	Wu	DATE	03.04.2009
APPD:	Join			FINISH	Shieh	Sheet	1 from 2



Soldering Profile Curve

Classification Reflow Profile (JEDEC J-STD-020C)



Coin Cell Holder	
Part No.:	B23001
Customer:	

DRW:	Jason	CHKD	Jules	MATL:	Wu	DATE	03.04.2009
APPD:	Join			FINISH	Shieh	Sheet	2 from 2